

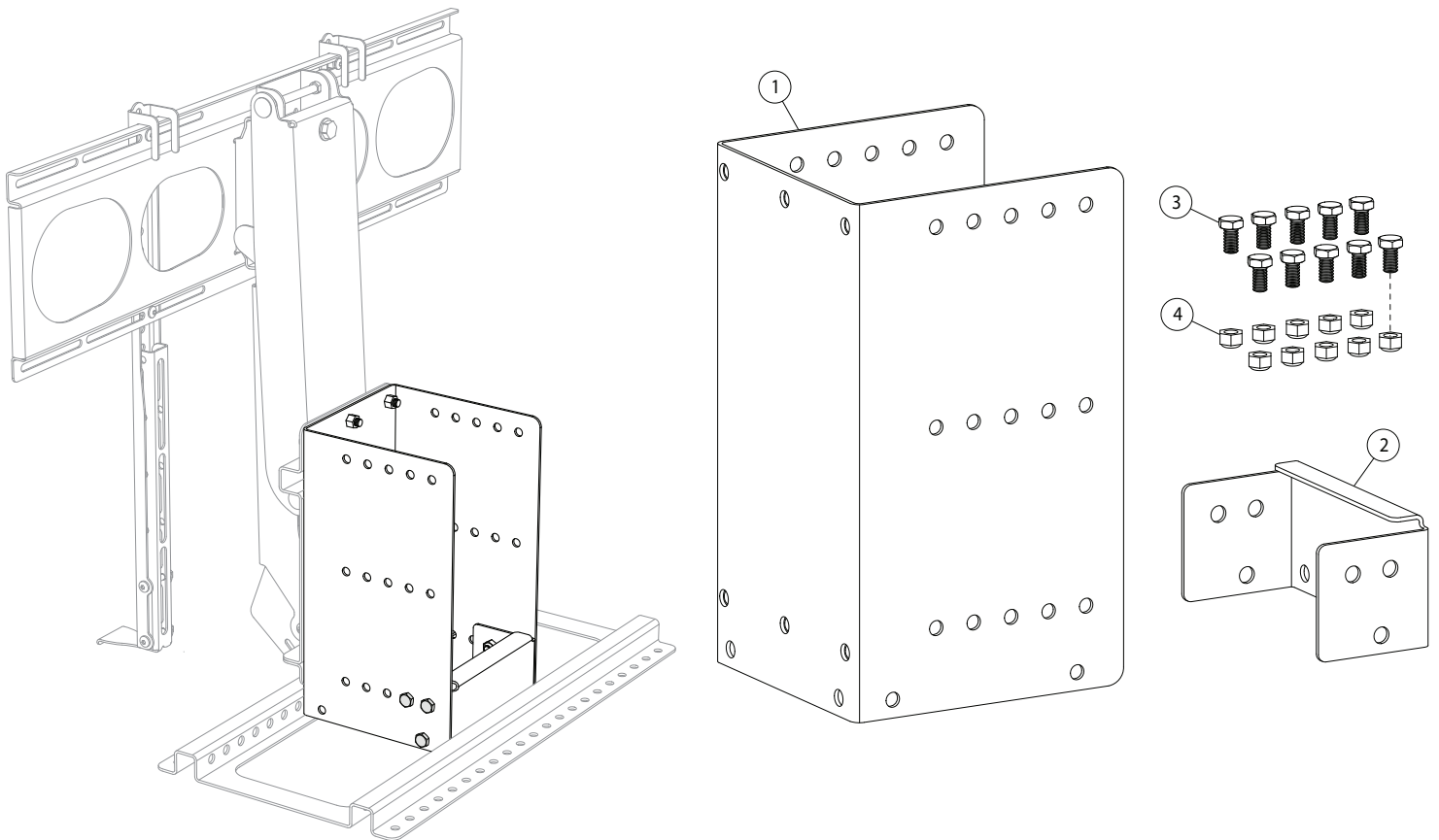
AB40 Adapter Bracket Addendum

IMPORTANT SAFETY INSTRUCTIONS - SAVE THESE INSTRUCTIONS

Please read this entire manual before you begin.

If you have any questions, visit MantelMount.com or call (800)-897-9755.

This Addendum is not a stand-alone set of instructions, it is only to be used with the MantelMount MM340, MM540 or MM700 Installation Manual.

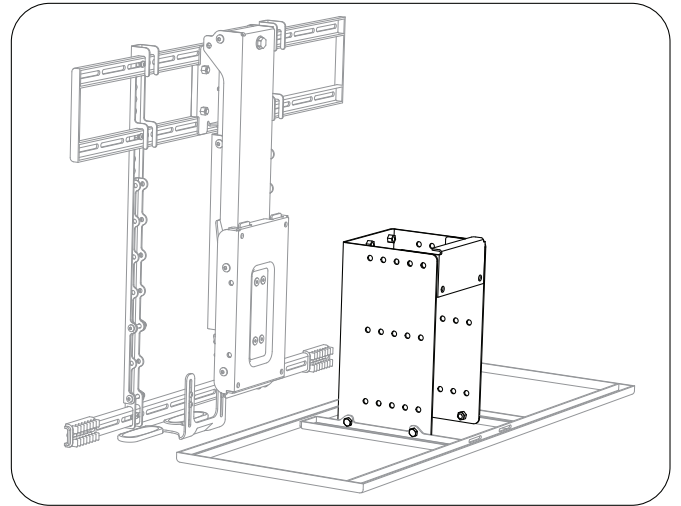


ITEM NO.	PART NUMBER	DESCRIPTION	QTY.
1	15030	ADAPTER BRACKET	1
2	15027	ADAPTER BRACE	1
3	14135	HEX BOLT M8 x 1.25 x 15mm	10
4	12187	LOCKNUT M8 x 1.25mm	10
5	AB40M	INSTALLATION MANUAL	1

Using the AB40 as a Horizontal Adapter with MM700:

The AB40 can be used as a 90° bridge between the Lifting Mechanism and the Wall Plate that allows MantelMount to attach to horizontal surfaces such as inside an alcove or recess.

The flat surface must be framed with wood studs or beams that are strong enough to secure the Wall Plate.



SCREW
12179

STEP 4:

STEP 1:

HEX BOLT
14135 LOCK NUT
12187

STEP 2:

Must be
at least
15 inches
deep

Height required
in STEP 9 of the
Installation
Manual

Must be
at least
26 inches
high

Maximum of
11 inches

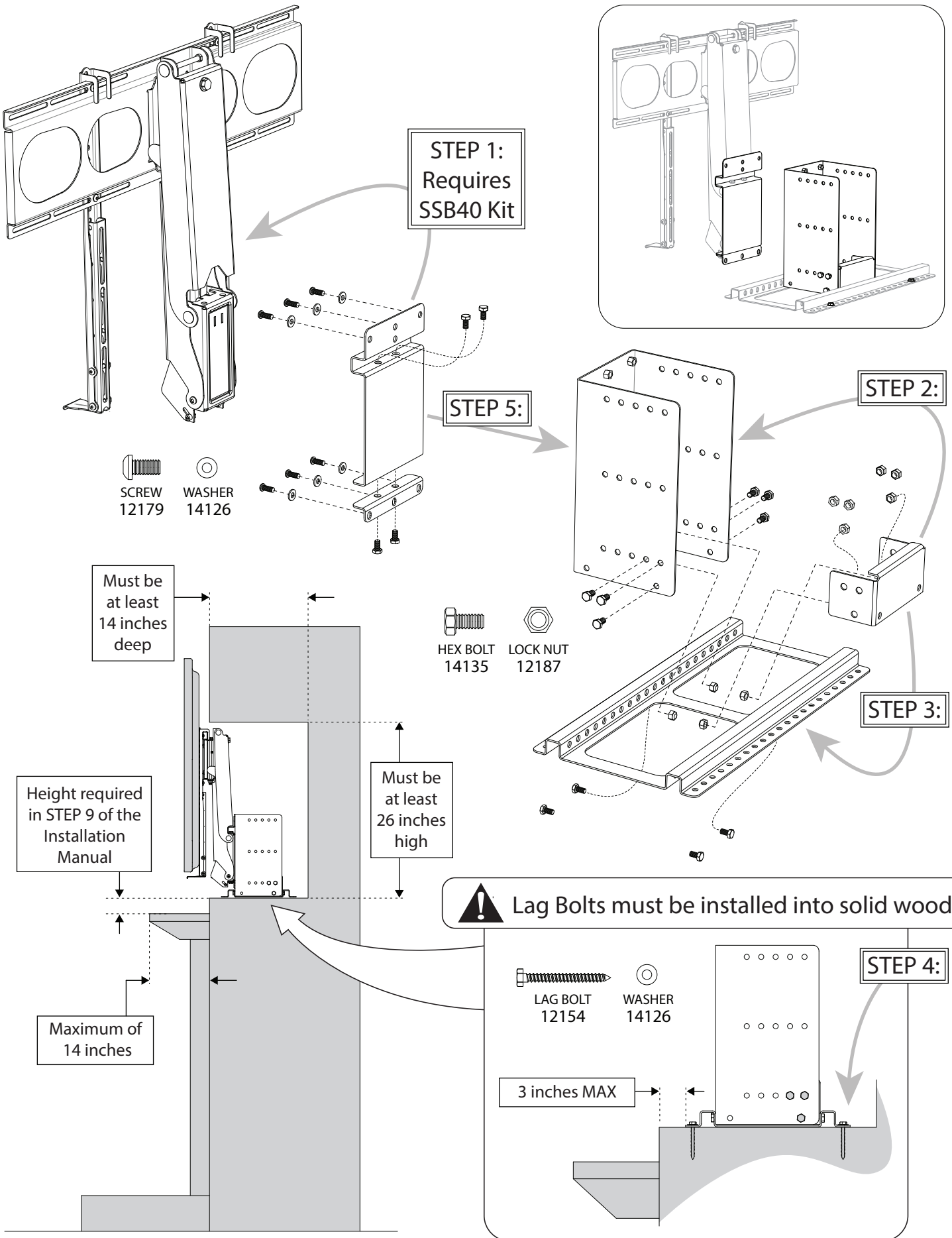
! Lag Bolts must be installed into solid wood!

LAG BOLT
12154 WASHER
14126

STEP 3:

One inch MAX

Using the AB40 as a Horizontal Adapter with MM340 or MM540:



Using the AB40 as a Pass-through Bracket:

The AB40 can be used to “pass-through” a facade material such as fake stone or brick. These materials are usually not strong enough to hold MantelMount directly, but they are too thick for lag bolts to go through into studs. The AB40 is attached to studs that are installed behind a custom built wall and will result in a very small visual footprint.

Before installation, measure the maximum thickness of the facade material and also the sheathing, and set the mounting surface of the AB40 slightly further out from the studs that this total thickness. This will ensure that MantelMount does not touch the wall facade.

