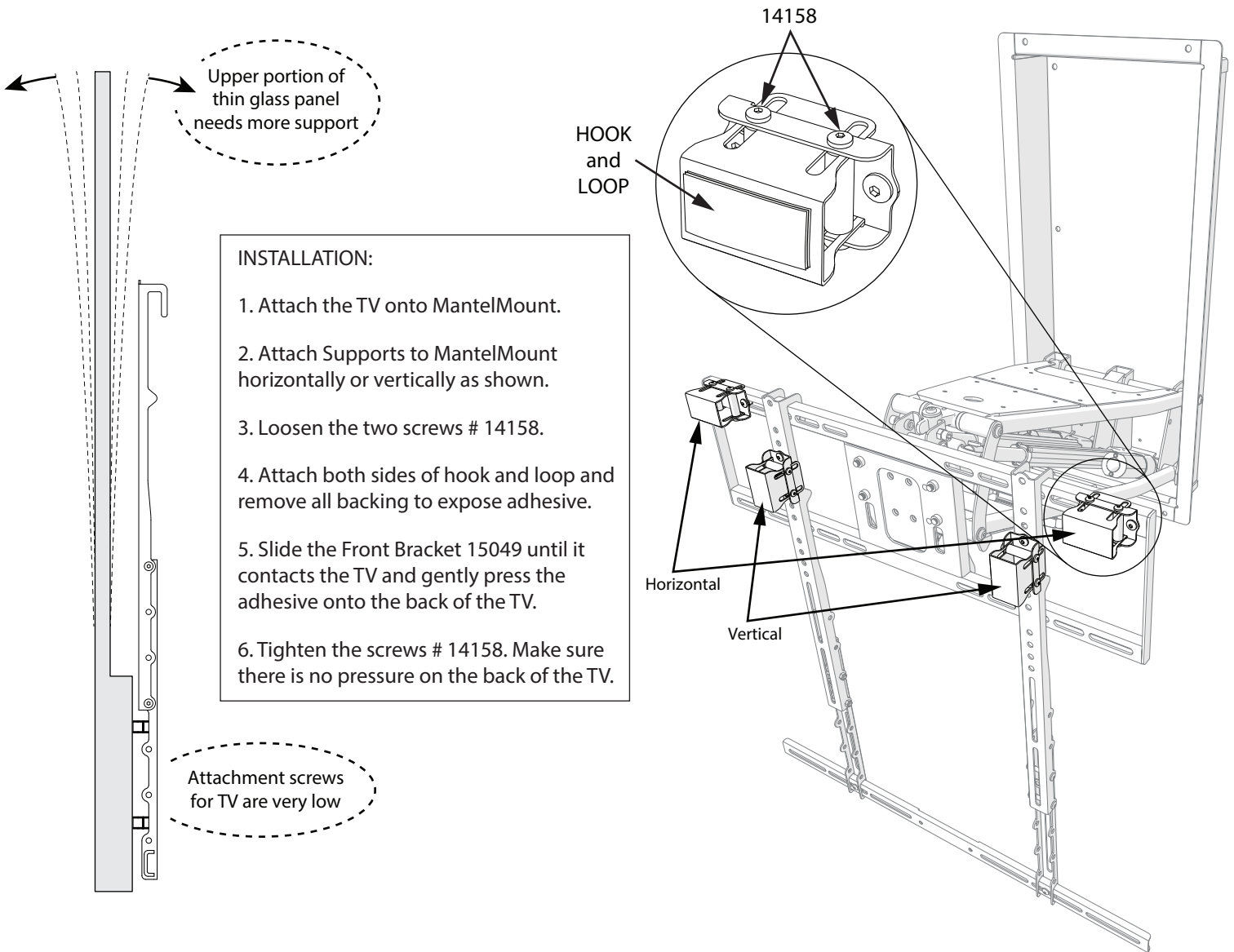


Thin Panel Support Kit GS60



The MantelMount "Thin Panel" Support Kit is used with televisions that have very low mounting holes and thin or unstable screens that need more upper support.



- INSTALLATION:**
1. Attach the TV onto MantelMount.
 2. Attach Supports to MantelMount horizontally or vertically as shown.
 3. Loosen the two screws # 14158.
 4. Attach both sides of hook and loop and remove all backing to expose adhesive.
 5. Slide the Front Bracket 15049 until it contacts the TV and gently press the adhesive onto the back of the TV.
 6. Tighten the screws # 14158. Make sure there is no pressure on the back of the TV.

