

SIGNATURE SERIES 42U Premium Audio Video Enclosure



SR-AV-CAB-42U-30IN

Product Overview

Package Contents

- A Top Cover
- B Frame
- C Front Door - Curved Glass
- D Side Doors (x4)
- E Back Door - Solid (Left)
- F Back Door - Solid (Right)
- G Lock
- H Mounting Rail - Adjustable Depth
- I Cable Management - Multi-Position
- J Casters (x4)
- K Leveling Feet (x4)
- L Rack Ganging Bracket
- M Front Door Hinges

Not Pictured:

- Allen Keys (x1)
- Door Keys (x4)
- Side Panel Keys (x4)

Key Features

- Fully welded and assembled
- 2200 lbs. Max load capacity
- Rack Side Panels: 16-gauge single sheet metal
- Rack Rails & Frame: 14-gauge single sheet metal
- 10-32 Threaded rails for faster component loading
- EIA 310-D Hole Pattern
- Grounding and bonding in multiple locations.
- Lifetime limited warranty

***Note:** Please be sure to check with local authorities in regard to code requirements for compliance.

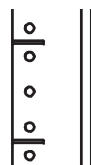
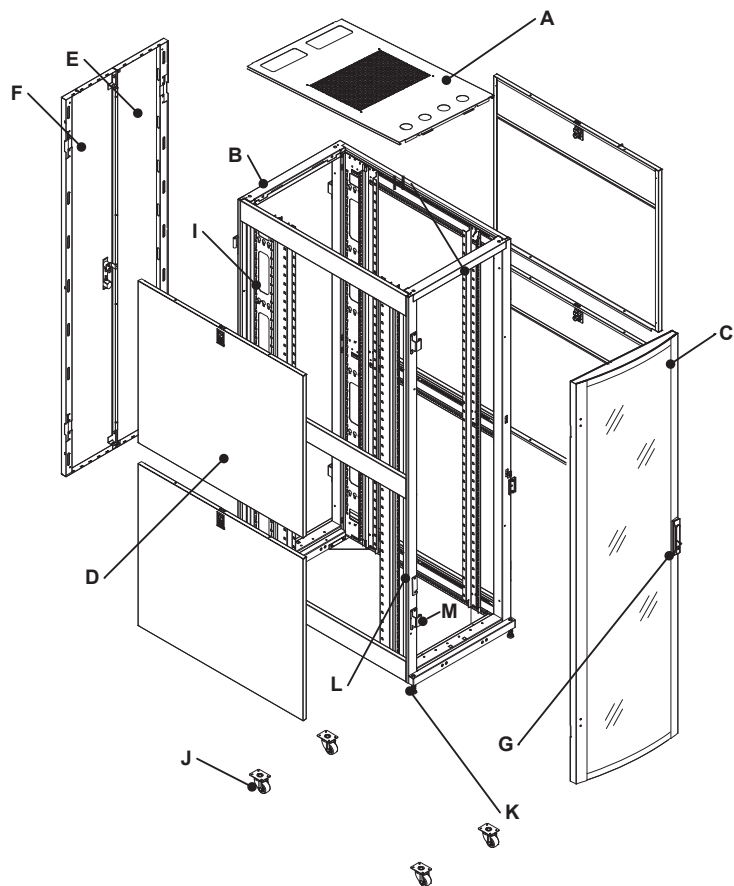
Reversing Front Door

Tools Required:

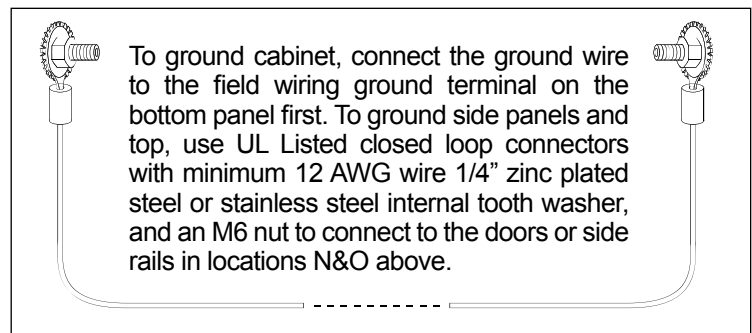
- 5mm Allen Key (Included)
- #2 Philips Head Screw Driver

Reversal Steps

1. Disconnect ground strap inside door.
2. Remove door by lifting hinge pins and set aside.
3. Remove hinges using screwdriver. Install on opposite side of cabinet.
4. Remove lock, flip over and reinstall.
5. Place door onto cabinet ensuring that both pins are securely attached in hinge, and reattach ground strap to door.



Rails accept 10-32 rack screws, 40 are included with this rack. Additional screws are available in a no-roll jar that includes 200 screws and nylon washers. (SR-SCREWS-200JAR)



CAUTION!

When loading equipment into cabinet, ensure that leveling feet are adjusted correctly and load heavier equipment at the bottom of the rack.

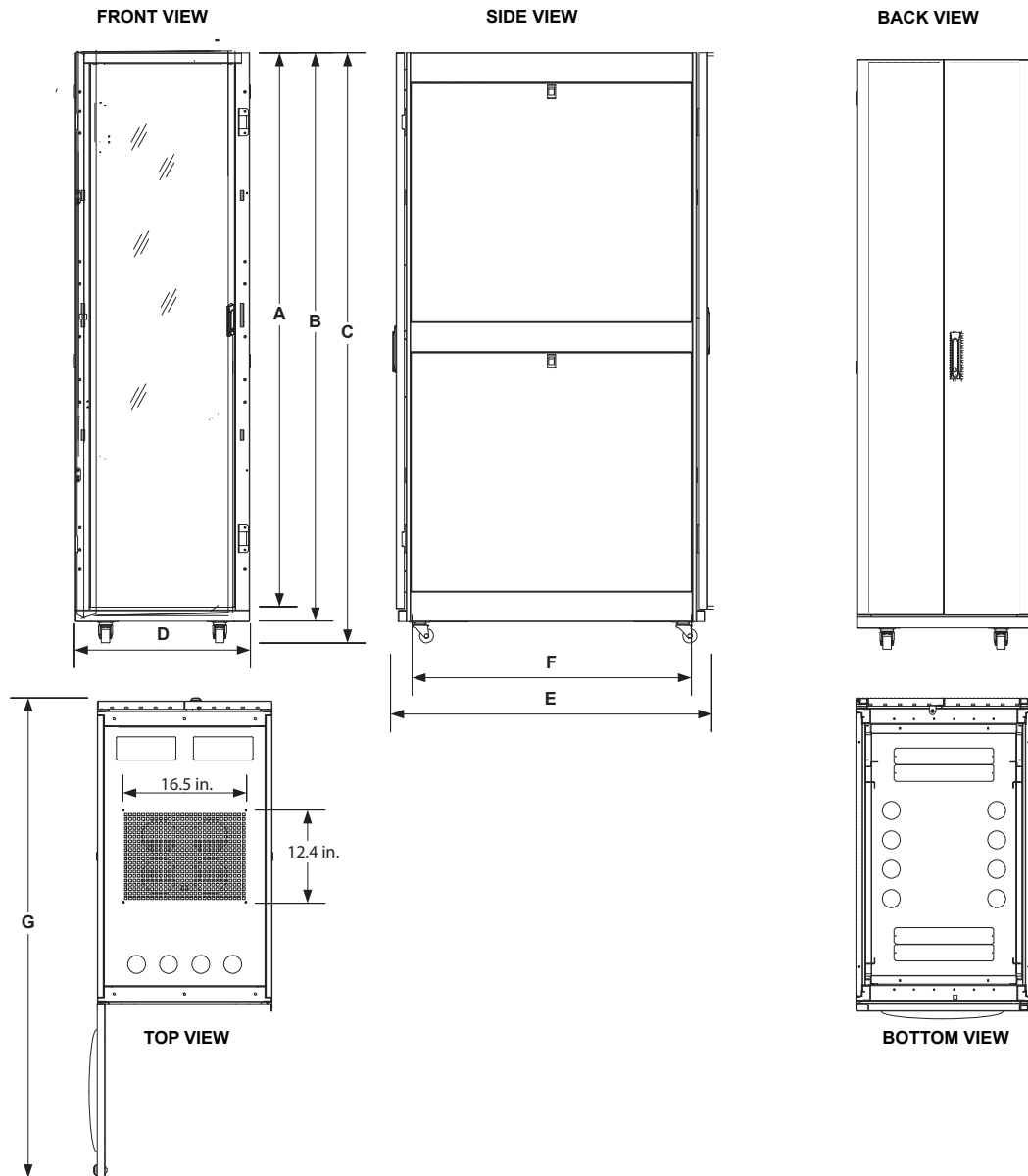
***Note:** Equipment cabinets are intended to house or mount certified equipment that is provided with its own fire and electrical enclosure.

SIGNATURE SERIES
42U Premium Audio Video Enclosure



SR-AV-CAB-42U-30IN

Dimensions



Product	A-Racking Height	B-Height (Overall)	C-Height (With Casters)	D-Width (Overall)	E-Depth (Overall)	F-Usable depth	G-Depth (Door Open)
SR-AV-CAB-42U-30IN	42U	76"	78.75"	23.6"	34"	31.5"	57.9"



Lifetime Limited Warranty

All Strong™ products have a Lifetime Limited Warranty. This warranty includes parts and labor repairs on all components found to be defective in material or workmanship under normal conditions of use. This warranty shall not apply to products that have been abused, modified, or disassembled. Products to be repaired under this warranty must be returned to SnapAV or a designated service center with prior notification and an assigned return authorization number (RA).

For Technical Support: 1.866.838.5052