

ring

**Transformer**  
Smart Lighting



# For your safety...



**WARNING** - Risk of electric shock. Do not mount power supply or luminaires within 10 feet (3.0 meters) of a pool, spa, or fountain.

**CAUTION:** For use only on a branch circuit protected by a Class A type Ground Fault Circuit Interrupter (GFCI).

When used outdoors, install only to a covered Class A GFCI protected receptacle that is weatherproof with the power unit connected to the receptacle. If one is not provided, contact a qualified electrician for proper installation. Ensure that the power unit and cord do not interfere with completely closing the receptacle cover.

Transformer must be installed greater than 1 foot above ground level.

Maximum wattage load is 200 watts. Verify that the combined total wattage of all fixtures is below 200W.

For use with landscape lighting systems only.

Use with 12V or 15V landscape lights, including LED and halogen lights.

Use **ONLY** with common gauge sizes of CSA or UL approved low voltage cable (12-16 AWG).

**DO NOT** use with an extension cord.

**DO NOT** connect two or more power supplies in parallel.

This manual is for informational purposes only. Working with electricity can be dangerous unless proper safety precautions are taken. If you are not comfortable or are inexperienced with the processes and tools described in this manual, we recommend that you hire a licensed electrician.

# 1. Set up your Transformer.

## Download the Ring app.

The app walks you through setting up and managing your Ring Transformer.

Download it on your iOS or Android device.



## Set up your Ring Bridge.

The Bridge connects your Ring Transformer to the Ring app and other compatible Ring devices.

To set up your Bridge, follow the instructions in the Ring app or Bridge user manual.



## Choose a location.

You'll have to plug in your Transformer, so the best place for it is near an outlet (make sure it's a covered, weatherproof Class A GFCI protected outlet).

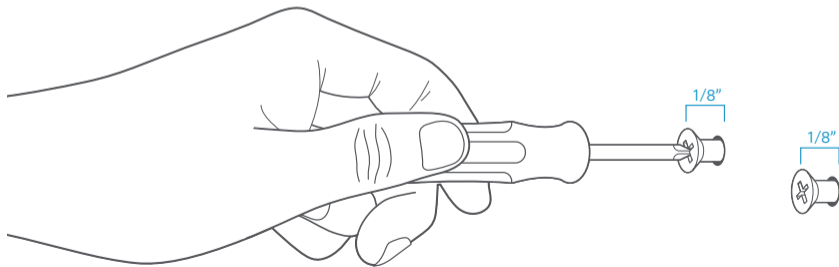
Once you've decided on a spot, use the included mounting template to mark the screw holes.

To avoid damage to your Transformer, make sure the top screws are at least 18" above the ground.

## Insert the top screws.

Drive the top screws first, leaving 1/8" of space between the mounting surface and screw heads.

If mounting on a masonry surface or drywall, use a 1/4" drill bit to drill pilot holes at each mark and insert the anchors.



## Mount your Transformer.

Align the Transformer with the top screws. Slide it down over the screws to lock it into place.

Then drive the bottom screw to secure your Transformer to the mounting surface.

## 2. Install lights and wiring.

### Choose a cable.

If you already have low voltage lighting installed, skip ahead to page 12.

The Transformer doesn't come with low voltage cable, so you'll have to buy some online or at a home improvement store.

The chart on the next page might help...

		Wire Length *		
		0-50 Feet	51-100 Feet	101-150 Feet
Total Light Wattage	0-50 Watts	16 AWG	16 AWG	14 AWG
	51-100 Watts	16 AWG	14 AWG	12 AWG
	100-200 Watts	14 AWG	12 AWG	12 AWG with 15V Tap **

\* Make sure your cable is long enough to reach all light fixtures. Consult cable manufacturer if additional wire length or connectors are needed.

\*\* Only use 15V Tap when the wire length is over 100 feet and total wattage is over 100 Watts. 12V Tap is recommended for all other cases.

\*\*\* Use **ONLY** with common gauge sizes of CSA or UL approved low voltage cable (12-16 AWG).

## Calculate the total fixture wattage.

Ensure the total fixture wattage does not exceed the maximum wattage load of the Transformer.

To get the total wattage, add up the wattage of each fixture (example: 10 fixtures at 5W each is 50W total wattage).

## Place light fixtures.

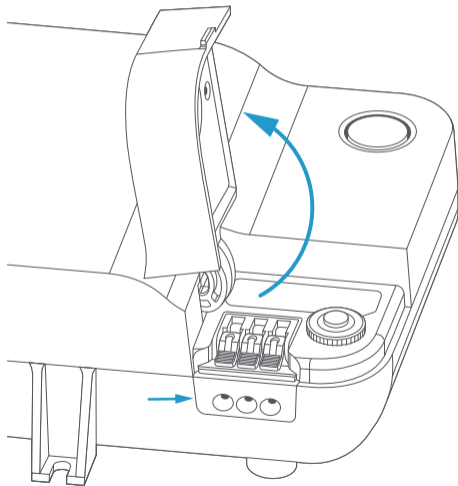
Decide where you would like to place your lights (not included), and arrange them in the desired locations.

## Open the Transformer door.

Lift and hold the door open to access the terminals.

The rubber grommet underneath the door can be removed to identify the terminals.

Don't lose it! Be sure to put it back before the next step...

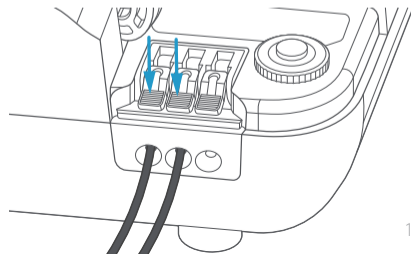
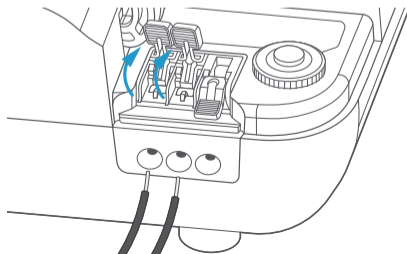


## Connect cable to Transformer.

Split and strip the cable.


Flip open the terminals, and feed one of the wires through the rubber grommet into the Common terminal (left), and the other into either the 12V (center) or 15V terminal (right) based on the total wattage of your system.

Then close the terminals and the access door.



## Run cable to fixtures.

Starting at the Transformer, run the cable to each light fixture, leaving about 12" of cable after the last fixture.

 Leave a little extra cable at each fixture in case you have to adjust their location.

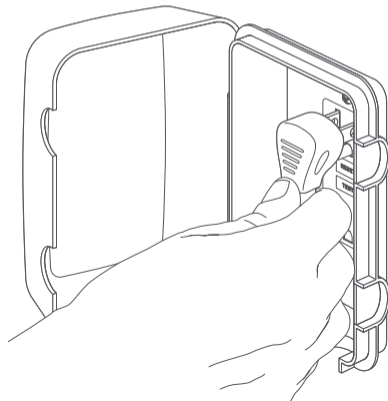
## Connect the light fixtures to the cable.

Secure the light fixtures to the cable according to the fixture manufacturer's instructions.

# 3. Complete installation.

## Plug in your Transformer.

Your Transformer must be connected to a covered, weatherproof GFCI protected receptacle. If you don't have a covered, weatherproof GFCI protected receptacle, you'll need to hire a licensed electrician to install one.





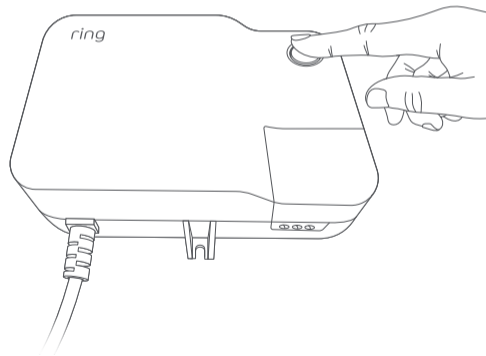
## Connect your lighting to Ring.

Once plugged in, the light around the button on the front of your Transformer will flash blue. That means it's ready to pair with the Ring app!

If the light around the button is white after you plug it in, press and release it. The light will then flash blue.



To test your lights, press the round button once. The circle will turn white and your light fixtures will illuminate.



## Complete Setup in the Ring app.

In the app, tap Set Up a Device.

When prompted, select Smart Lighting and follow the in-app instructions.

When the light on your Transformer turns solid blue, setup is complete.

## Conceal the cable.

Now that setup is complete, you can hide the low voltage cable (if updating an existing system, you've probably already done that - ignore this part).

To bury the cable, dig a narrow, shallow trench (up to 6" deep) along the wiring route. Lay the cable inside the trench and cover it over with the displaced ground.

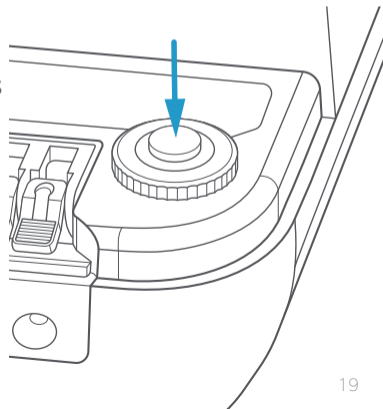
Or, if your cable runs through an area with soil (like a flower bed) you can cover it with a layer of mulch.

## What about that Reset button?

You probably won't need it, but if your Transformer is plugged in and the light around the button on the front is not illuminated, you may need to press it.

Open the Transformer door and check to see if the Reset button popped up. If so, press it to reset your Transformer.

If it pops up again, double-check the total wattage of your fixtures. Make sure it's below 200W total wattage (refer to page 11).



For additional help, visit: [ring.com/help](https://ring.com/help)

Or give us a call...

US 1 800 656 1918

---

Canada 1 855 300 7289

---

Worldwide +1 310 929 7085

---

For a list of all our customer support numbers, visit:  
[ring.com/callus](https://ring.com/callus)

To review your warranty coverage, please visit [www.ring.com/warranty](https://www.ring.com/warranty).

Patents: [www.ring.com/patents](https://www.ring.com/patents)

© 2019 Ring LLC or its affiliates.

Ring, Alexa, Always Home, and all related logos are trademarks of Amazon.com, Inc. or its affiliates.

Last updated: 03/08/19