



Dome Camera


Installation Guide

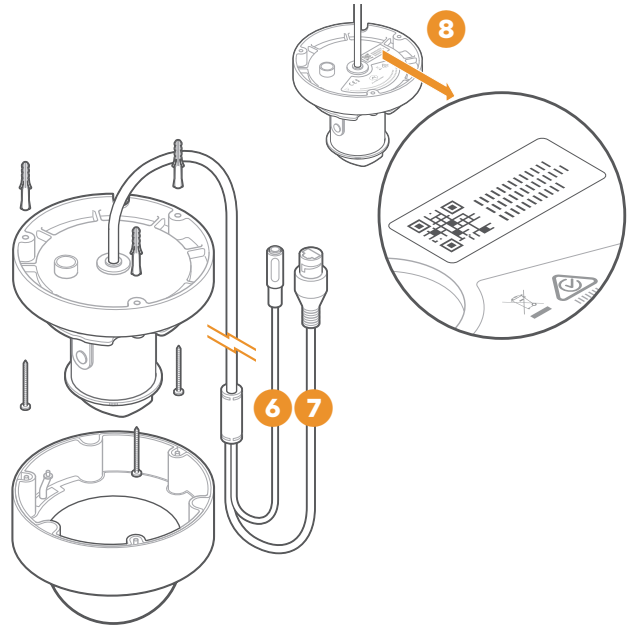
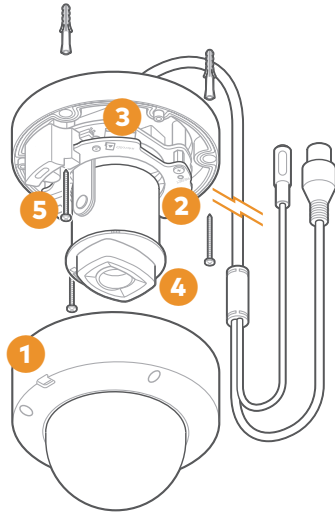
ADC-VC847PF

Pre-installation checklist

- ADC-VC847PF camera (included)
- AC power adapter (required for non-PoE connections) (sold separately)
- Router with broadband Internet connection (Cable, DSL, or Fiber Optic) and an open Ethernet port
- A computer or mobile device with Internet access
- An Ethernet / Cat5e cable
- Username and password for the Alarm.com account to which you will add the camera

Overview

- 1 LED indicator
- 2 Reset button 
- 3 MicroSD card slot
- 4 Varifocal Lens
- 5 Lens positioning system
- 6 12VDC power connector
- 7 RJ45 ethernet interface
- 8 Camera label with MAC Address



Installation

Choose the appropriate installation wizard (customer or technician) below or proceed to the Ethernet mode section to begin adding the camera.

Customer - Mobile App Installation Wizard

- 1 Log in to the Mobile App. You will need the username and password of the account to log in.
- 2 Tap the navigation ☰ menu.
- 3 Tap + **Add Device** > **Video Camera** > **VC847PF**.
(If you do not see the Add Device option, please use the Ethernet mode instructions below to complete your installation.)
- 4 Follow the on-screen instructions.

Service provider technician - MobileTech installation

- 1 Log in to MobileTech.
- 2 Select the customer's account.
- 3 Tap **Quick Actions** > **Add Device** > **Video**.
- 4 Follow the on-screen instructions.

Ethernet mode

Complete these steps prior to installing the camera in its final location:

- 1 Connect the camera to the router via an Ethernet cable.
- 2 If the Ethernet connection does not provide power, connect the camera to the optional AC power adapter (sold separately) and plug the adapter into a non-switched outlet.

continued

- 3 Wait 2 minutes for the camera to boot up and connect to the Internet. The LED will be solid green when this process is complete.
- 4 Add the device to the account by either selecting the account in MobileTech or by using a web browser and entering the following URL: **www.alarm.com/addcamera** (you will need the customer username and password).
- 5 Select the camera from the video device list or enter its MAC address to begin adding the camera. The camera's MAC address is located on the bottom of the device or on the packaging.
- 6 Follow the on-screen instructions to finish adding the camera.

You can now power down the camera and install it in its final location using the included hardware. You may configure camera settings from the Customer Website.

LED reference



Not illuminated - *Power off*



Solid green - *Connected to Alarm.com*



Blinking green - *Local network connection*



Blinking green and red - *Reverting to factory default settings*



Blinking red - *Power on, camera booting*



Solid red - *No local or Internet connection*

Troubleshooting

- If you have issues connecting the camera to the account, power cycle the camera and try again.
- If issues persist, reset the camera to factory defaults. Press and hold the **Reset button**  until the LED is flashing Green and Red (about 15 seconds), then release the button. The camera will reboot with factory defaults.

If the camera was previously installed to an Alarm.com account, it will need to be deleted before it can be installed again.

Questions?

Visit answers.alarm.com
or contact your service provider.

Notices

This equipment has been tested and found to comply with the limits for a Class B digital device, pursuant to part 15 of the FCC Rules. These limits are designed to provide reasonable protection against harmful interference in a residential installation. This equipment generates, uses and can radiate radio frequency energy and, if not installed and used in accordance with the instructions, may cause harmful interference to radio communications. However, there is no guarantee that interference will not occur in a particular installation. If this equipment does cause harmful interference to radio or television reception, which can be determined by turning the equipment off and on, the user is encouraged to try to correct the interference by one or more of the following measures:

- Reorient or relocate the receiving antenna.
- Increase the separation between the equipment and receiver.
- Connect the equipment into an outlet on a circuit different from that to which the receiver is connected.
- Consult the dealer or an experienced radio/TV technician for help.

Changes or modifications not expressly approved by the party responsible for compliance could void the user's authority to operate this equipment.



8281 Greensboro Drive
Suite 100
Tysons, VA 22102

200827
© 2020 Alarm.com.
All rights reserved.