

# VI-3000-DOM-S-WH

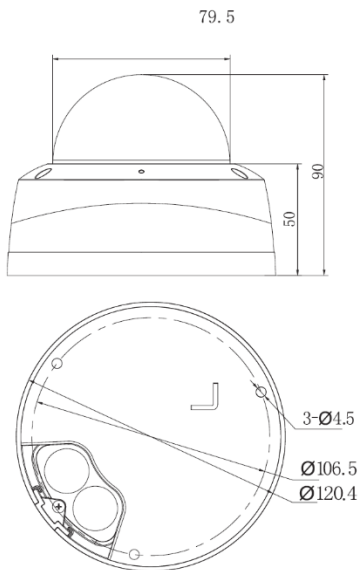
2MP Starlight Vandalproof Mini IR Dome Camera



## Features

- H.265 / H.264 / M-JPEG Codec
- Up To 1920 x 1080 High Resolution
- Cable Free Design
- Starlight Ultra Low Light 0.002lux
- Starlight Low-Light Color Sensor
- Ultra Low-Light 0.002 Lux
- Smart IR, IR Range: 20m (65ft)
- Built-in Mic, Audio In, MicroSD Slot, up to 128GB
- TVS 6000V, Lightning/Surge Protection: (Power 2000V, RJ45 1000V), IP67
- Operating Temps:
  - 35°C ~ 60°C (-31° – 140°F) (IR OFF)
  - 35°C ~ 40°C (-31° – 104°F) (IR ON)
- Indoor/Outdoor
- CE, FCC

## Dimensions (mm)



CAMERA	
Model	VI-3000-DOM-S-WH
Image Sensor	2MP 1/3" Starlight CMOS
Core Processor	ARM9 Architecture
Operating System	Embedded Linux
Signal System	PAL / NTSC
Min. Illumination	Color: 0.002Lux (F1.2, AGC ON) B/W: 0.001Lux (F1.2, AGC ON); 0Lux with IR
Shutter Time	1s~1/100000s
Lens	2.8mm, Angle of View: 95.2°
Lens Mount	φ12
Auto Iris	N/A
Day& Night	Dual IR Cut Filter with Auto Switch
Wide Dynamic Range	140 dB
Digital Noise Reduction	3D DNR
COMPRESSION STANDARD	
Video Compression	H.265 / H.264 / M-JPEG
Encode Type	High Profile/Main Profile/Base Line Profile
Video Bit Rate	32Kbps ~ 16Mbps
Audio Compression	G.711A/G.711U/ADPCM
Audio Bit Rate	G711 8KHz, 64kbps
IMAGE	
Max. Image Resolution	1920x1080
Frame Rate	50Hz: 25fps (1920x1080), 25fps (1280 x 720) 60Hz: 30fps (1920x1080), 30fps (1280 x 720)
Triple Stream	Mainstream: 1080P (1920x1080) Substream: D1 (704x576) 3rd stream: CIF (352x288)
Image Settings	Brightness, Saturation, Contrast, Flip Mode Adjustable by Client Software or Web Browser
HLC	Yes
Smart Defog	Yes
Corridor Format	Yes, Available for 720P and Above
ROI	4 Zones
Privacy Mask	4 Zones
Picture Overlay	200 x 200, BMP 24bit, Zone Configurable
OSD	16x16, 32x32, 24x24, 48x48, 64x64, 96x96 Size Letters Such as Week, Date
NETWORK	
Browser	IE10+
Network Storage	NAS
NTP	Yes
Video Analytics	Tripwire, Double Tripwire, Perimeter, Object Abandon, Object Remove, Loitering, Audio Abnormal, Video Abnormal
Alarm Trigger	Video Analytics / IP Conflict / MAC Conflict / Port Alarm
Protocols	IPv4 / IPv6 / HTTP / 802.1x / FTP / SMTP / UPnP / SNMP / DNS / DDNS / NTP / RTSP / TCP
User Permission	4 Levels / 8 Users
Remote Connection	5 Users Access at the Same Time
System Compatibility	ONVIF (Profile S)
INTERFACE	
Audio Input	1-ch, Mic in
Audio Output	N/A
Communication Interface	1-ch RJ45 10M/100M Ethernet Interface
Alarm Input	N/A
Alarm Output	N/A
Video Output	N/A
On-board Storage	MicroSD Card Slot, up to 128GB
Reset	Yes
GENERAL	
Language	English
Operating Conditions	-35°C ~ 60°C (-31° – 140°F) (IR OFF) -35°C ~ 40°C (-31° – 104°F) (IR ON) 0 ~ 95% RHG
Power Supply	DC 12 V ± 10%, PoE (802.3af)
Power Consumption	Max. 5W (IR OFF) (ICR Instant Switch 10W) Max. 7W (IR ON)
Circuit Protection	TVS 6000V, Lightning/Surge Protection: (Power 2000V, RJ45 1000V)
Impact Protection	IP67
IR Range	20m (65ft)
IR LEDs	8pcs
Dimensions	120mm x 120mm x 90mm (4.72in x 4.72in x 3.54in)
Weight	1.54lbs (IP Camera Only); 1.98lbs (with Packing Box)

The latest product information / specification can be found at [www.snapav.com](http://www.snapav.com). Preliminary Version Data subject to change without notice.