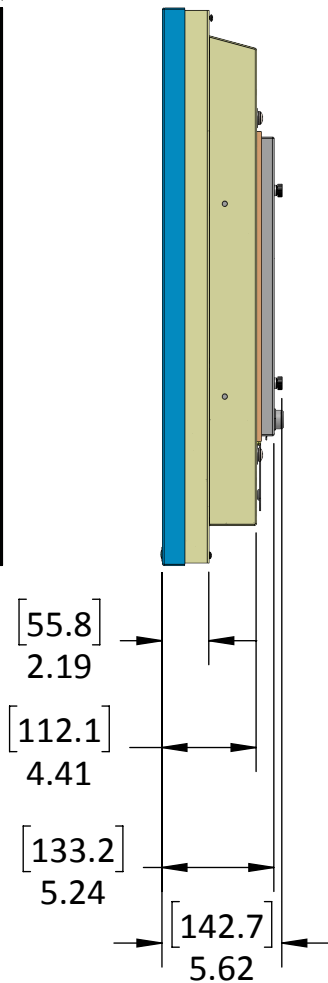
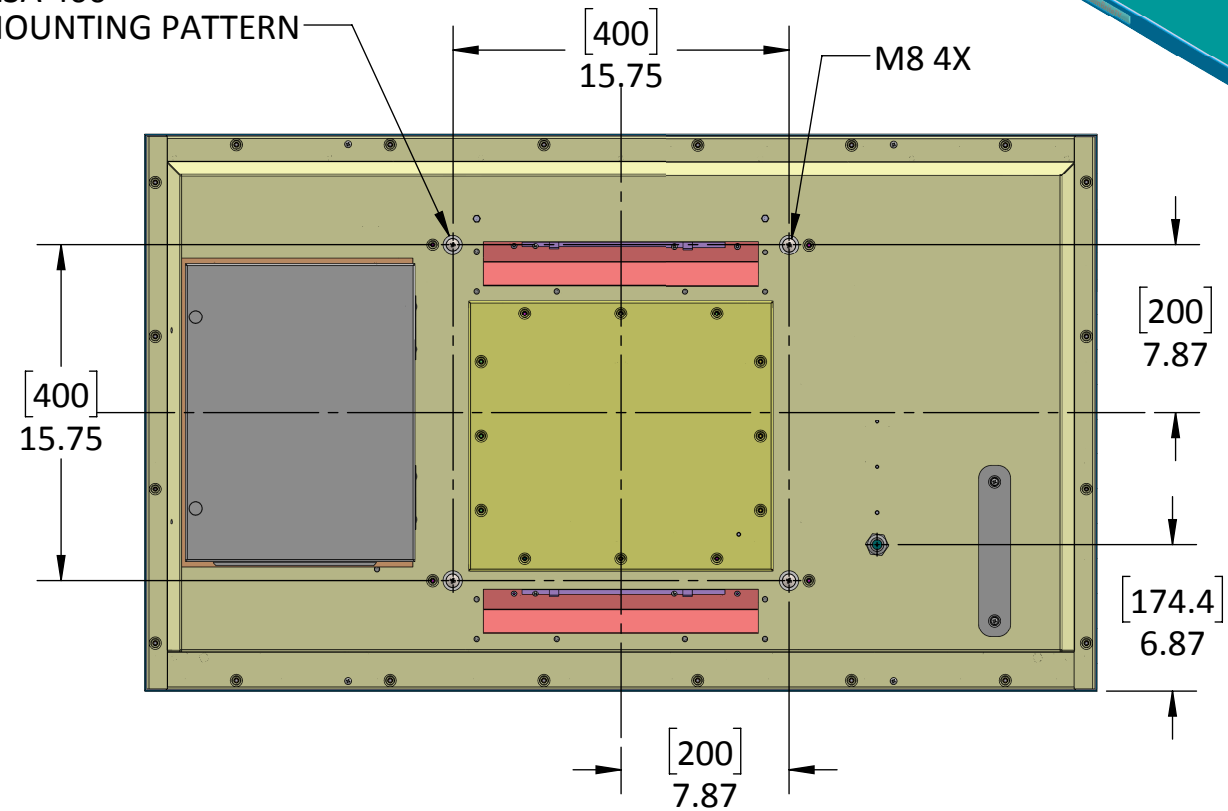


VESA 400
MOUNTING PATTERN



MATERIAL		
FINISH	NOTE 2	
FRACTIONS	DECIMALS	ANGLES
±.030	.X ± .05	± 1°
	.XX ± .03	
	.XXX ± .010	
UNLESS OTHERWISE SPECIFIED DIMENSIONS ARE IN INCHES		
THIRD ANGLE PROJECTION		

The information herein is the property of SunBrite V. No portion of this data shall be released, disclosed, used, or duplicated for any purposes without the written consent of SunBriteTV.		
APPROVALS	DATE	
DESIGN JDD	31 Oct 14	
DRAWN JDD	31 Oct 14	
CHECKED		

		2001 Anchor Ct. Thousand Oaks, CA 91320	
TITLE SB_4917_LG_Assembly Landscape			
SIZE B	SCALE 1:9	PART # 14103103	REV NC
SHEET 1 OF 7			