




The Atlona AT-UHD-CAT-8 is a 4K/UHD HDMI to HDBaseT™ distribution amplifier featuring pass-through HDMI input connections, eight, HDBaseT outputs and display control capability. Each output transmits AV and control signals up to 230 ft. (70 m) @ 1080p and 130 ft. (40 m) @ 4K/UHD. Features include 4K/UHD @ 60 Hz with 4:2:0 color depth, HDCP 2.2 compliance, EDID management, and PoE for remote receiver powering. A wide variety of consumer and commercial displays may be controlled by the AT-UHD-CAT-8 using CEC, IR, or RS-232. Designed for commercial or residential distribution applications, the AT-UHD-CAT-8 is control system-friendly and integrates with any TCP/IP, RS-232, or IR control system and features a 1U, full-rack width enclosure with external, international power supply.

Signal distribution applications increasingly require compatibility with HDCP 2.2, 4K/UHD @ 60 Hz support with 4:2:0 color subsampling to ensure images reach displays with compatible copy protection and with the pristine digital image quality of the original signal, without artifacts resulting from inferior image distribution systems. HDBaseT distribution ensures reliable, long-distance transmission of high resolution audio and video signals. These core features along with added display control provide additional flexibility. Power over Ethernet not only provides compatibility with Atlona Extender products but enables HDBaseT Certification.

Eight HDBaseT outputs with transmission of AV and control signals and PoE -

- Long distance, 230 foot (70 meter) outputs offer bidirectional extension of both RS-232 and IR control plus remote receiver power
Compatible Atlona receiver: AT-UHD-EX-70C-RX
- Reduces multiple, separate cable runs down to a single category cable per display, shrinking cable bundles and required conduit capacity to reduce cost of installation

Display control -

- CEC, IR or RS-232 control signals transmitted over HDBaseT
- Enables control of a wide variety of displays including commercial or low-cost consumer displays

HDMI distribution amplifier with built-in HDBaseT transmission -

- Combines signal distribution and long distance transmission into a single enclosure; eliminates several devices and power supplies
- Reduces overall system costs, speeds installation, and prevents compatibility issues

4K/UHD capability with HDCP 2.2 copy protection -

- Compatible with ultra-high definition sources and displays; adheres to latest content protection specification
- Ensures AV distribution systems are ready for 4K/ UHD streaming services and playback devices

Specifications

Video Resolutions

| | | |
|--------------------|------------------------------------------------------------------------------------------------------------------------------------------------------------------------------------------|--|
| Video | 4096x2160@24/25/30/50*/60Hz*, 3840x2160@24/25/30/50*/60Hz* (UHD), 2048x1080p, 1080p@23.98/24/25/29.97/30/50/59.94/60Hz, 1080i@50/59.94/60Hz, 720p@50/59.94/60Hz, 576p, 576i, 480p, 480i | |
| VESA | 2560x2048, 2560x1600, 2048x1536, 1920x1200, 1680x1050, 1600x1200, 1600x900, 1440x900, 1400x1050, 1366x768, 1360x768, 1280x1024, 1280x800, 1280x768, 1152x768, 1024x768, 800x600, 640x480 | |
| Color Space | YUV, RGB | |
| Chroma Subsampling | 4:4:4, 4:2:2, 4:2:0 | |
| Color Depth | 8-bit, 10-bit, 12-bit | |

Audio

| | | |
|-------------|--------------------------------------------------------------------------------------------------------------------------------|--|
| HDMI | PCM 2Ch, LPCM 5.1, LPCM 7.1, Dolby Digital, DTS 5.1, Dolby Digital Plus, Dolby TrueHD, DTS-HD Master Audio, Dolby Atmos, DTS:X | |
| Sample Rate | 32kHz, 44.1kHz, 48kHz, 88.2kHz, 96kHz, 176.4kHz, 192kHz | |
| Bit Rate | up to 24-bit | |

Distance

| | | |
|---------------------|-----------------|----------------|
| CAT5e/6 @ 4K | up to 35 meters | up to 115 feet |
| CAT6a/7 @ 4K | up to 40 meters | up to 130 feet |
| CAT5e/6 @ 1080p | up to 60 meters | up to 197 feet |
| CAT6a/7 @ 1080p | up to 70 meters | up to 230 feet |
| HDMI IN/OUT@ 4K | up to 5 meters | up to 15 feet |
| HDMI IN/OUT @ 1080p | up to 10 meters | up to 30 feet |

Signal

| | |
|-----------|---------------|
| Bandwidth | 10.2 Gbps |
| CEC | Compliant |
| HDCP | Compliant 2.2 |

Temperature

| | | |
|-----------|--------------------------|---------------|
| Operating | 0°C to 50°C | 32°F to 122°F |
| Storage | -20°C to 60°C | -4°F to 140°F |
| Humidity | 20 to 90% non-condensing | |

Power

| | |
|------------------|-------------------------------------------------------|
| Consumption | 85.69 W |
| Idle Consumption | 18.37 W |
| Supply | Input: AC 100-240V ~ 50/60Hz Output: DC 48V/3.125A |

Dimension

| | | |
|-----------|---------------------|--------------------------|
| H x W x D | 44 x 438 x 254 (mm) | 1.73 x 17.24 x 10 (inch) |
|-----------|---------------------|--------------------------|

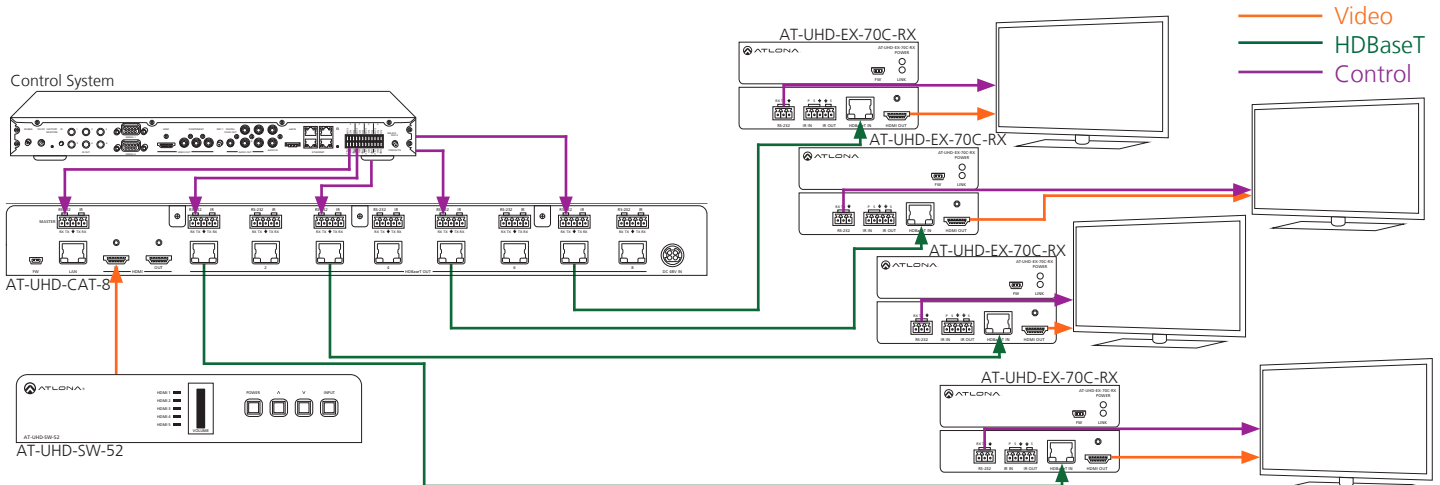
Weight

| | | |
|--------|---------|----------|
| Device | 3.02 kg | 7.05 lbs |
|--------|---------|----------|

Certification

| | |
|--------------|------------------------------------------|
| Unit | CE, FCC |
| Power Supply | CE, FCC, Level VI, RoHS, cULus, RCM, CCC |

*4096x2160@50/60Hz & 3840x2160@50/60Hz supported @ chroma subsampling 4:2:0 8-bit only



Specifications and availability subject to change without notice. Actual products, product images, and online product images may vary from images shown here. Not responsible for typographical errors.