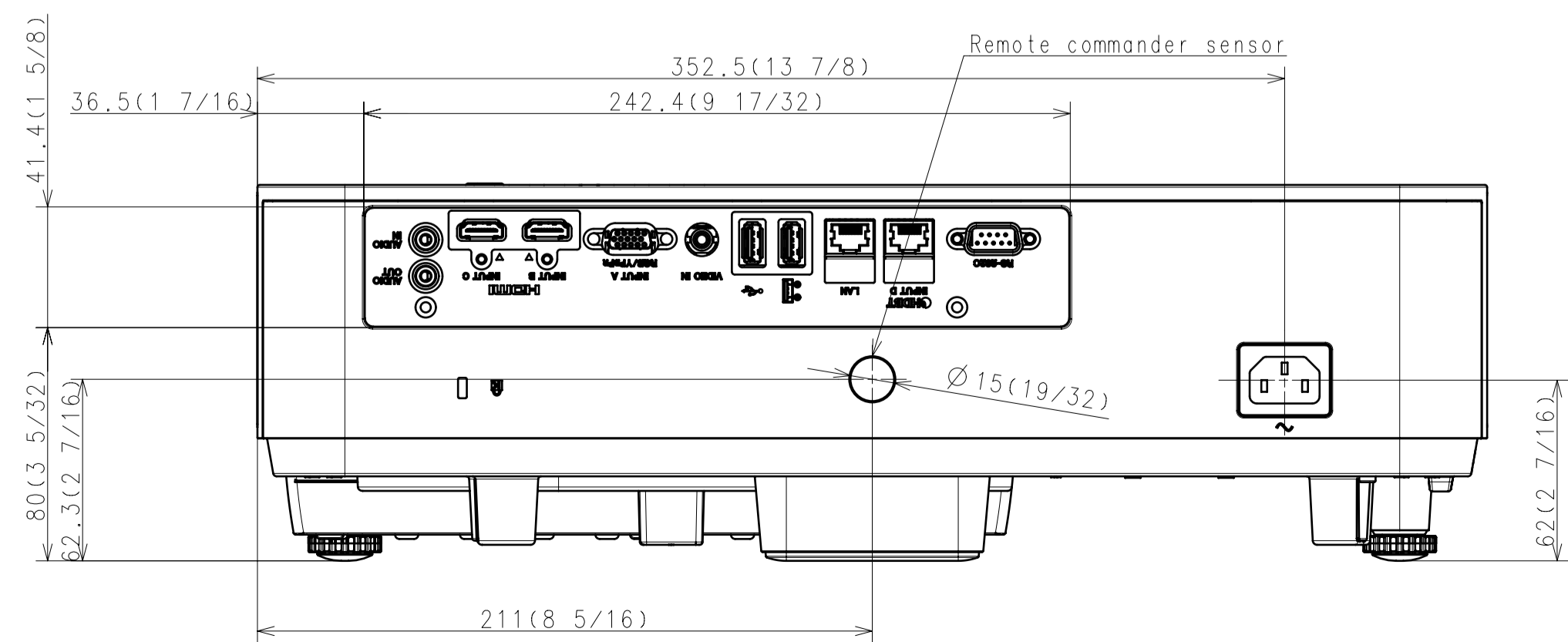
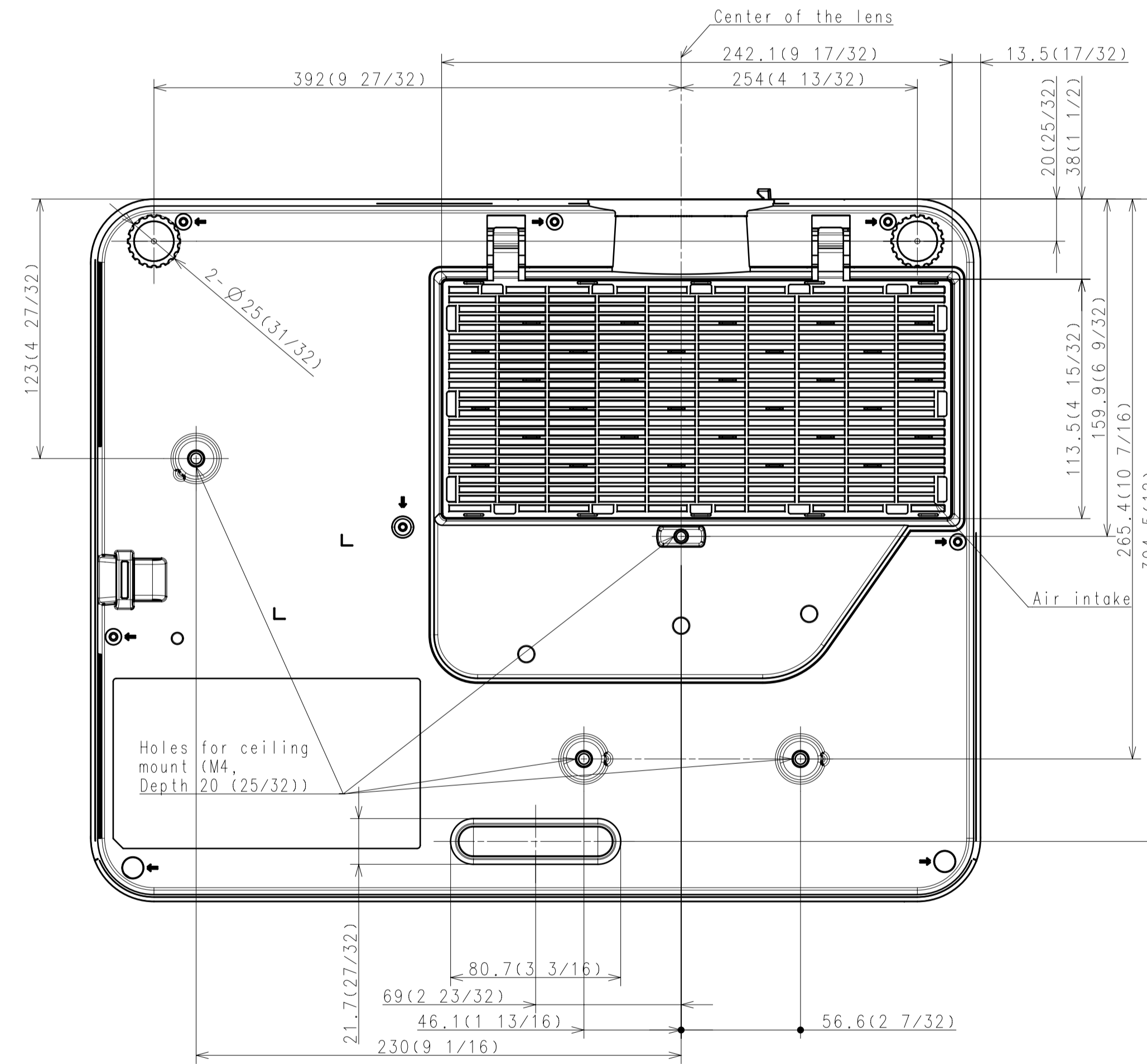
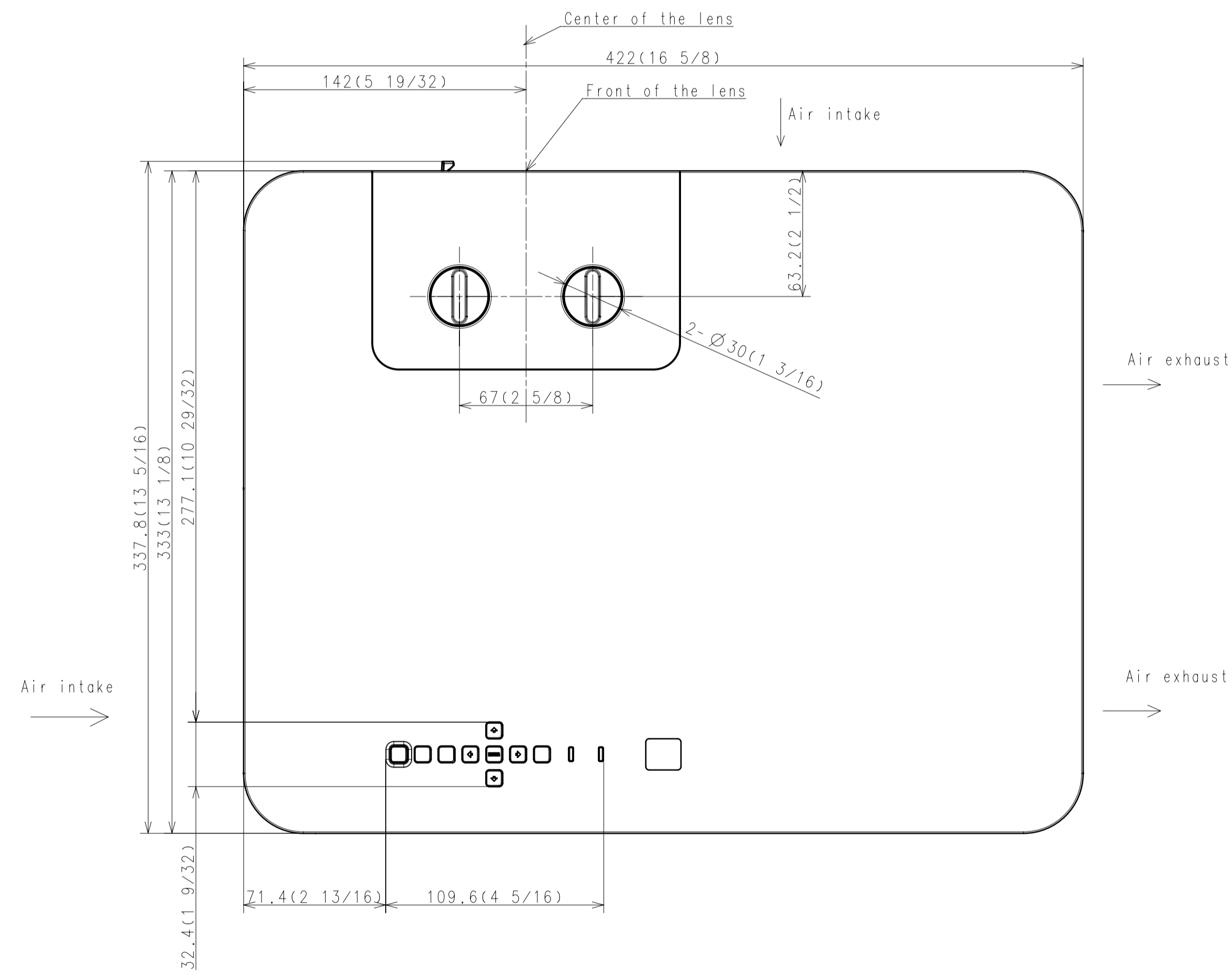
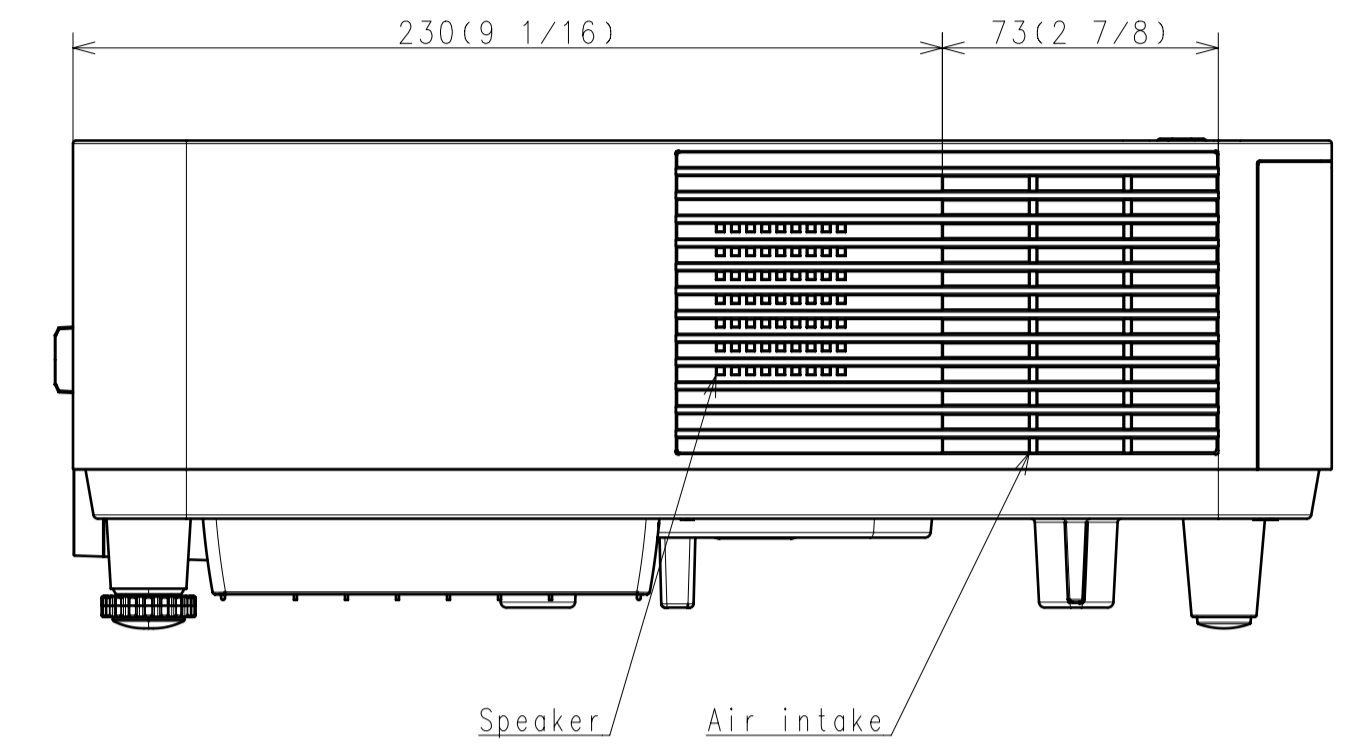
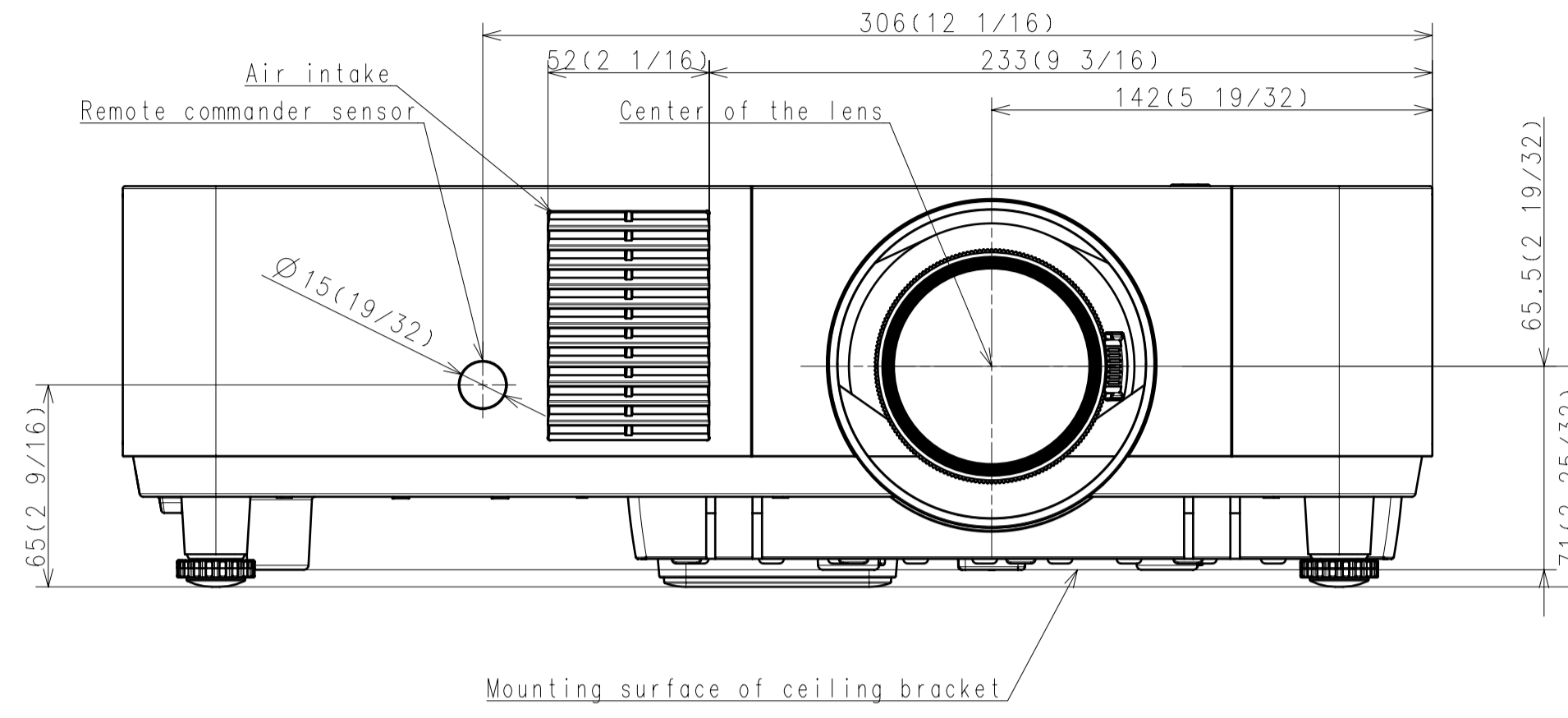
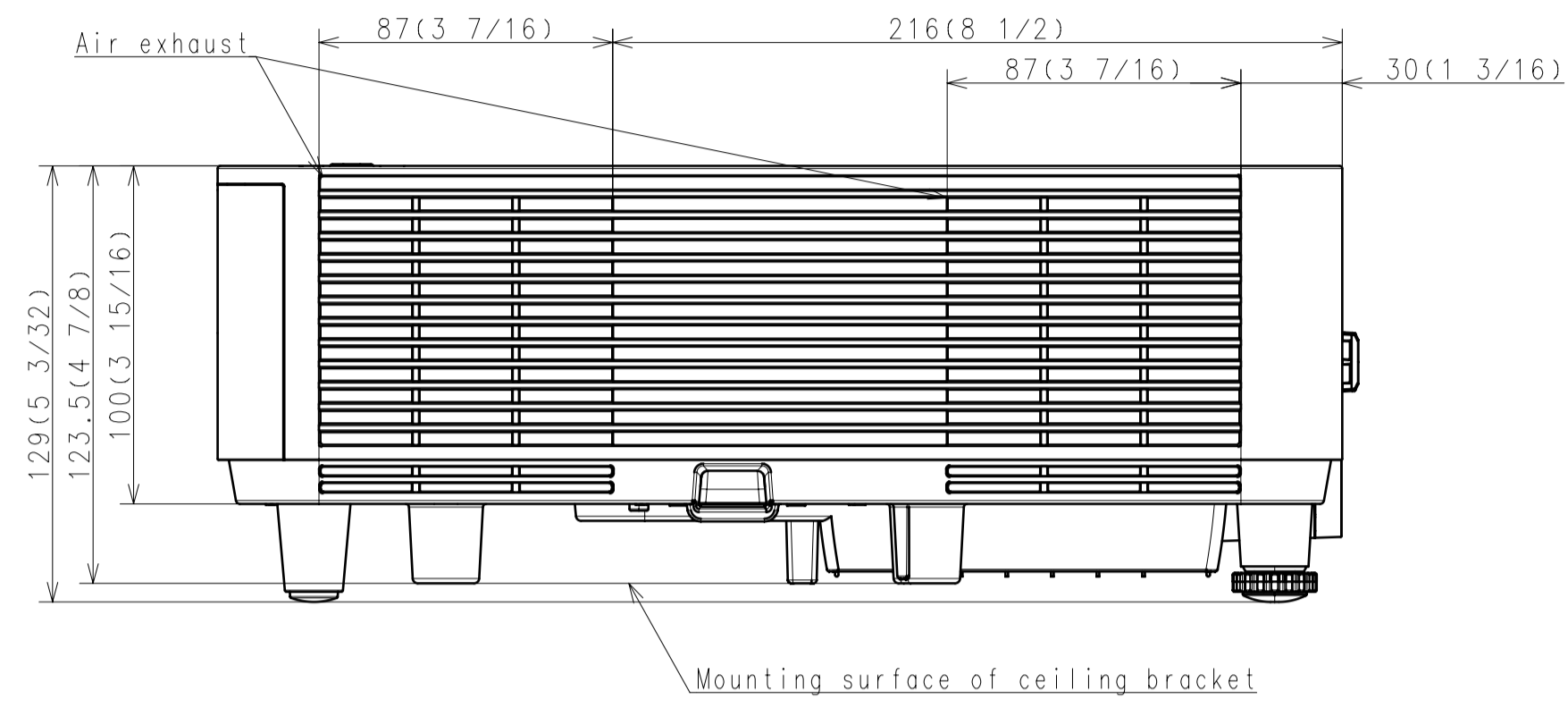
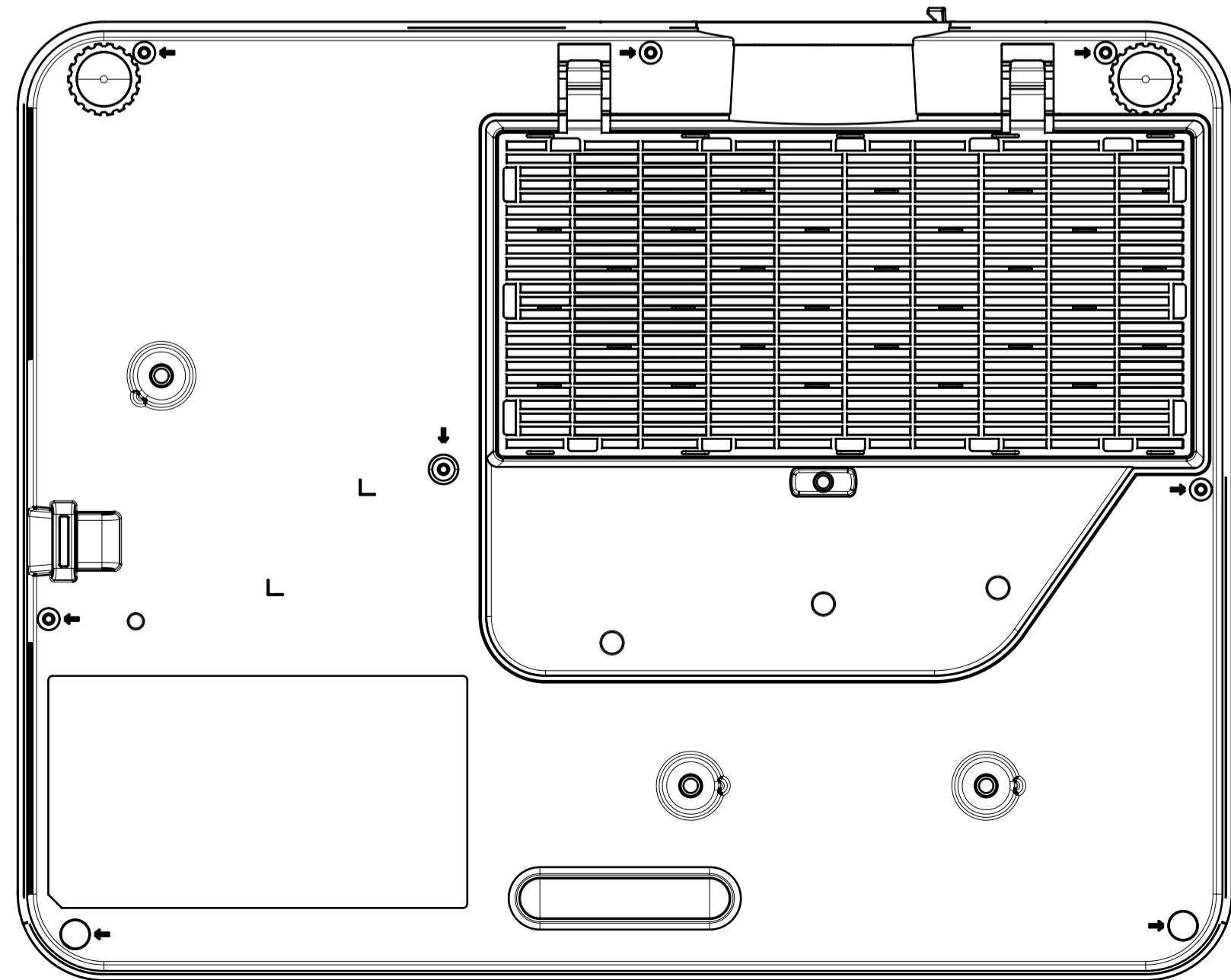
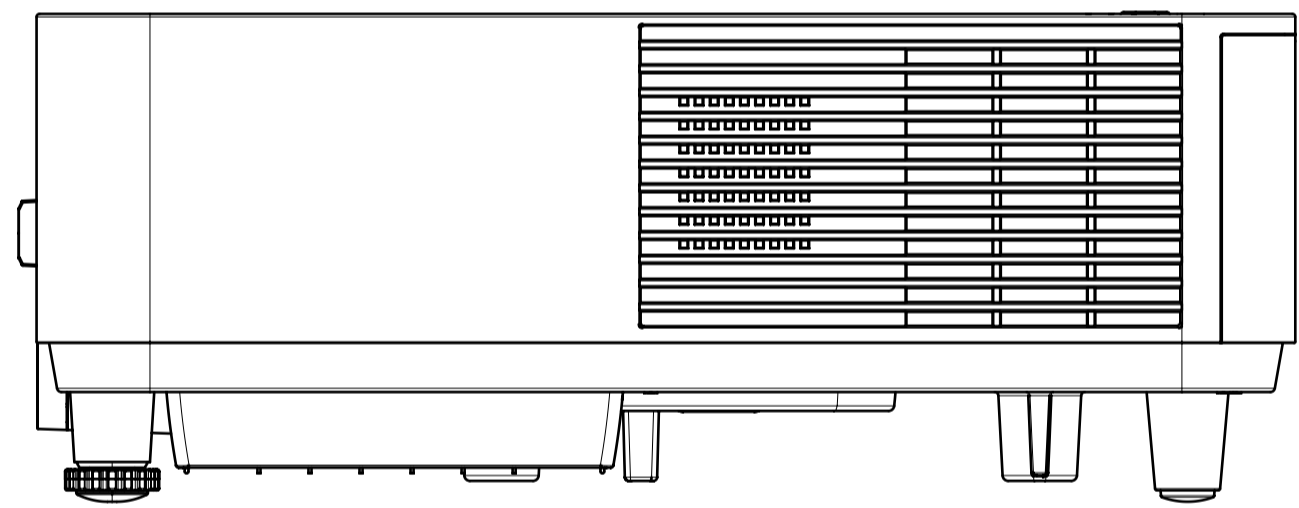
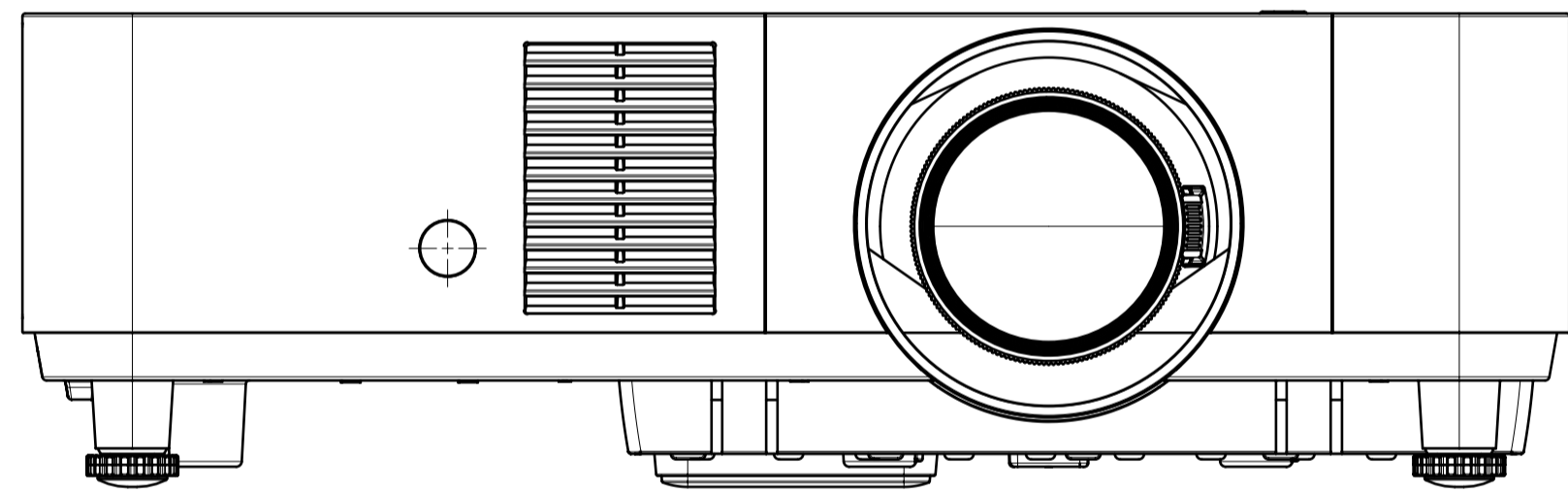
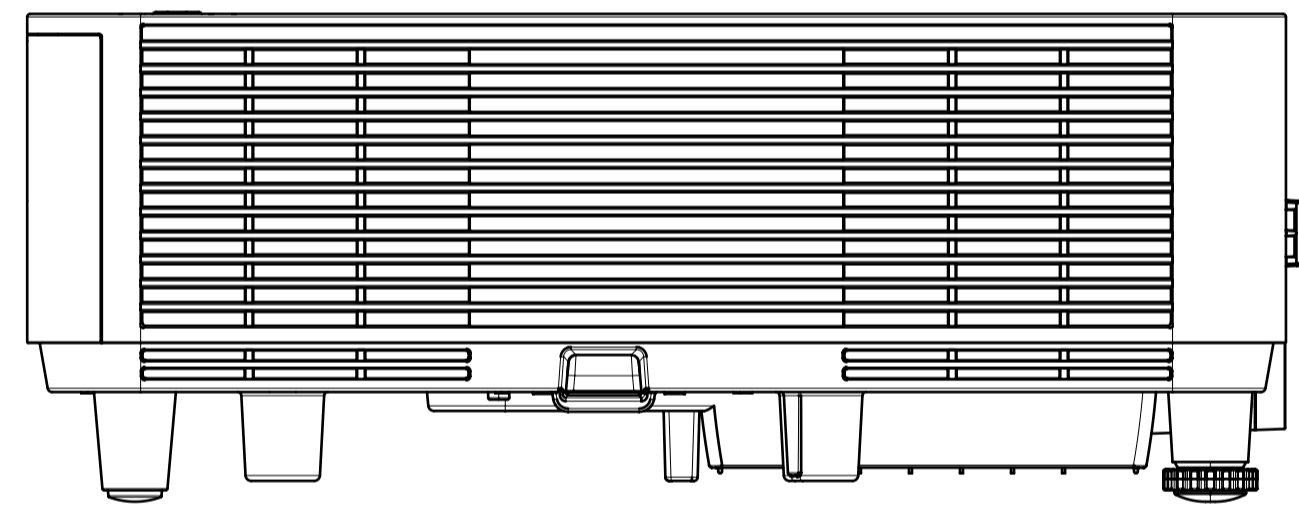
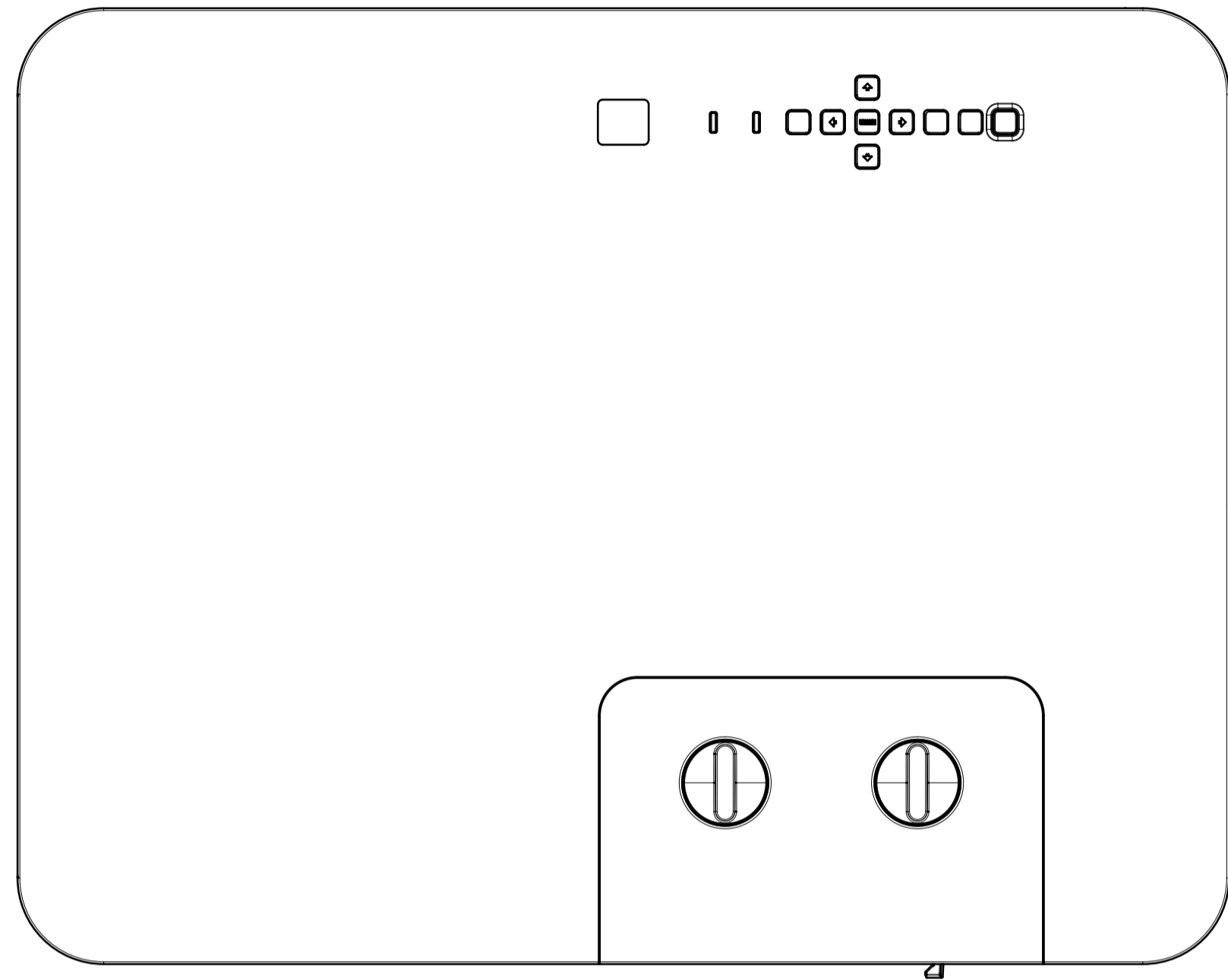
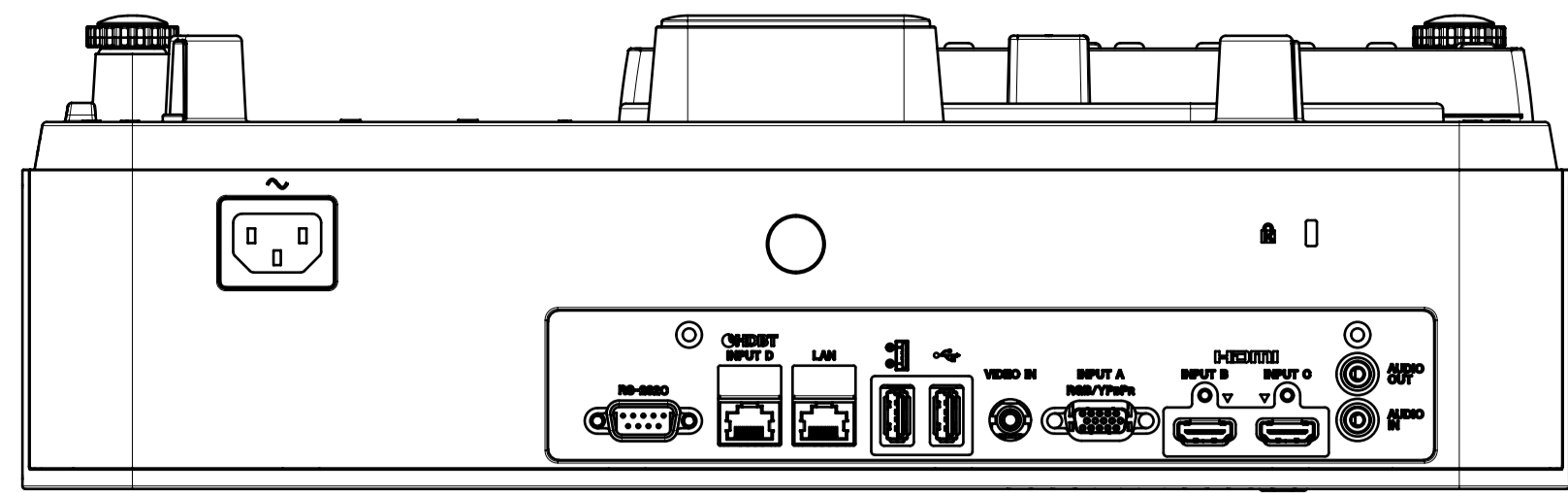


VPL-PHZ60/ PHZ50/ P620HZ/ P520HZ OUTLINE
mm(Inches)



DESCRIPTION 1	LEGAL OWNER	SCALE
DESCRIPTION 2	PART NO.	1:2
		SHEET/PAGES
		1 / 2



SONY STANDARD
DRAWING

DESCRIPTION(I)	LEGAL OWNER	SCALE
DESCRIPTION(II)	PART NO.	1:2
		SHEET/PAGES 2 / 2