

ring



Solar Steplight
Smart Lighting

Download the Ring app.

The app walks you through setting up and managing your Steplight.

Search for “Ring” in one of these app stores, or visit: ring.com/app



Set up your Ring Bridge.

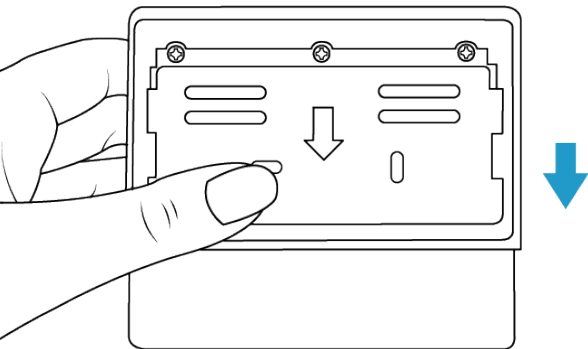
The Bridge is required to connect your Ring Smart Lights to the Ring app and other compatible Ring devices.

To set up your Bridge, follow the instructions in the Ring app or the Bridge user manual.



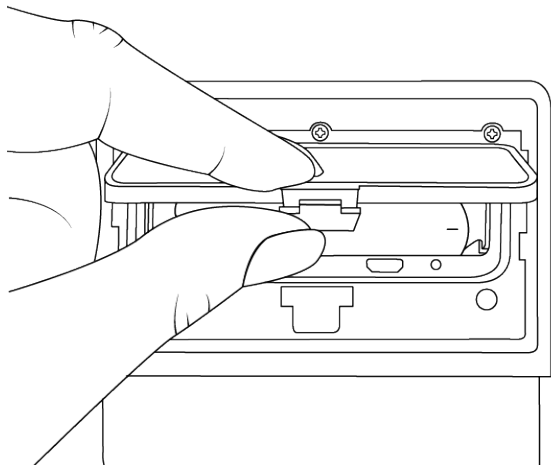
Slide off the mounting plate.

Slide the tabs out of the grooves and remove the plate from the rear of your Steplight.



Remove the battery cover.

Press in the tab on the bottom and lift to remove.

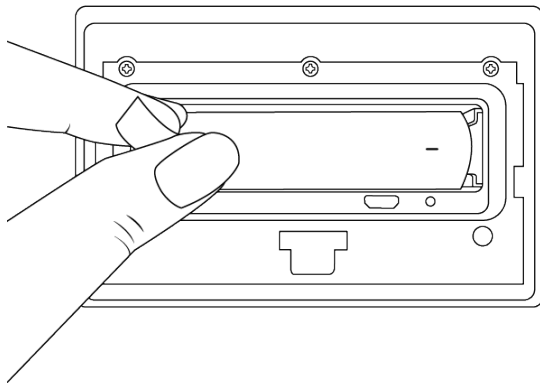


Remove the battery pull-tab.

Once removed, the included lithium-ion battery will be activated and your Steplight will flash twice to indicate its powered on.



Risk of fire, explosion, or burn. Do not short circuit, crush, heat above 60°C, incinerate, or disassemble the battery.



Charge your Steplight.

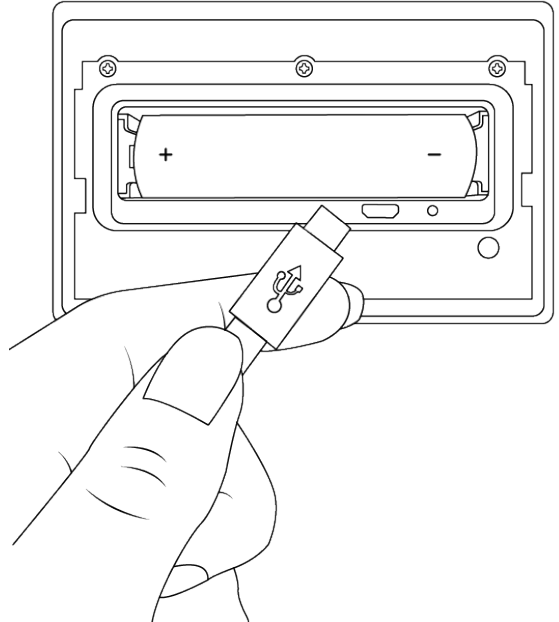
Plug the provided micro USB cord into a USB power supply (not included), then connect it to your Steplight to fully charge the battery.

The light will slowly turn on and off while charging and glow on continuously once charged.

Once charged, remove the micro USB cord.

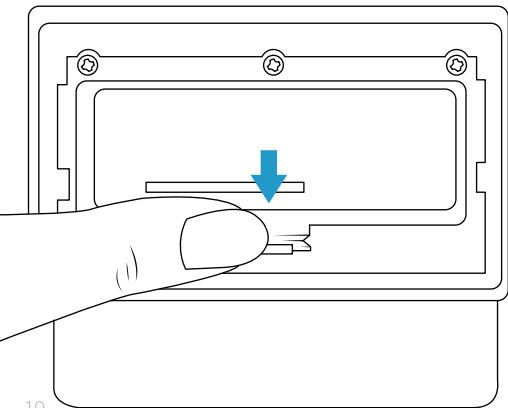


If you can't wait to play with your Steplight, go ahead and set it up. But we recommend you fully charging it before installation.



Re-attach the battery cover.

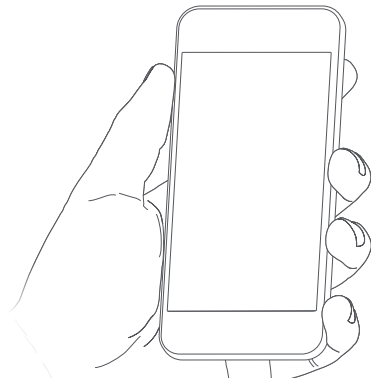
Push the battery cover back onto your Steplight, making sure the tab snaps into place.



Set up your Steplight in the Ring app.

In the app, tap **Set Up a Device**.

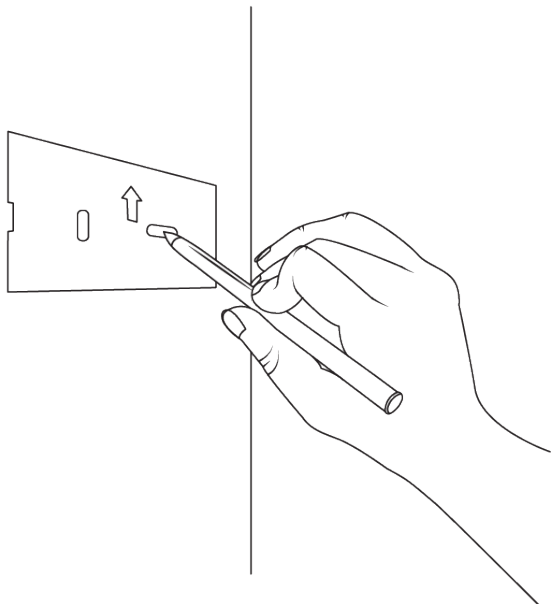
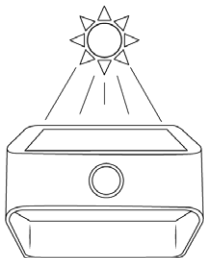
When prompted, select **Smart Lights** and follow the in-app instructions.



Mark the screw holes.

Use the holes in the mounting plate as a template to mark the screw locations.

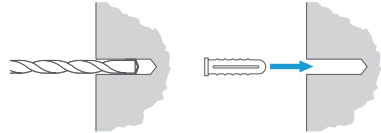
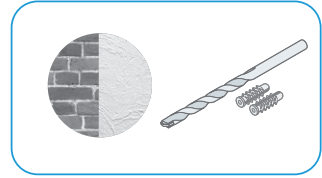
As a solar light, please ensure you install your light in an area with plenty of sun.



Install Wall Anchors (optional).

If installing on a hard surface
(such as stucco or brick), first
drill holes using a 3/16" drill bit
(not included).

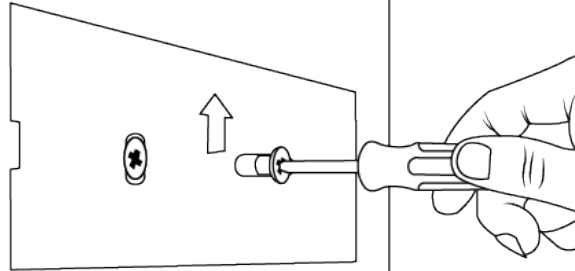
If installing on wood or siding,
skip this step.



Install the mounting plate.

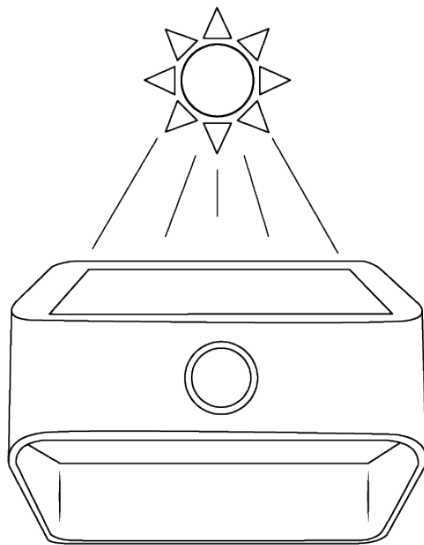
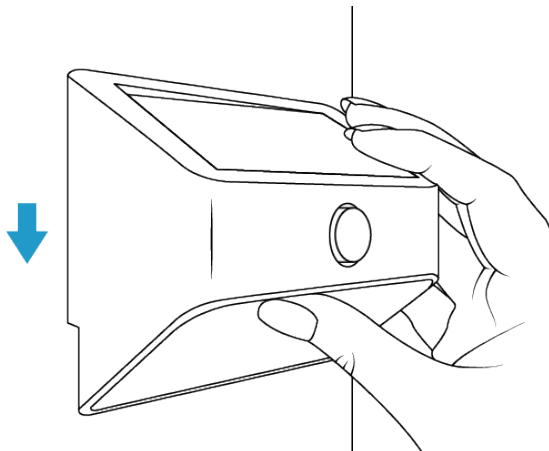
Place the mounting plate against the surface, making sure the arrow is pointing upwards, and drive the two mounting screws until the mounting plate is flush against the surface.

If installing on a wood surface, you can screw the bracket directly into your wall using a Philips head screwdriver.



Mount your Steplight.

Place your Steplight over the mounting plate, then slide it downward to lock it in place.



For additional help, visit:
ring.com/help

Or give us a call...

US 1 800 656 1918

Canada 1 855 300 7289

Worldwide +1 310 929 7085

For a list of all our customer
support numbers, visit:
ring.com/callus

© 2019 Ring LLC or its affiliates.

Ring and all related logos are trademarks of Ring LLC or its affiliates.