

VIM-7000 (PTZ for Virtual Officer)

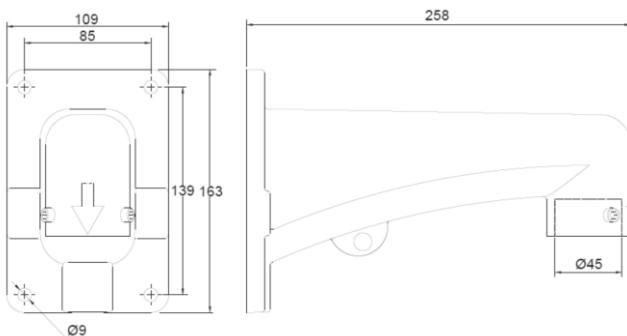
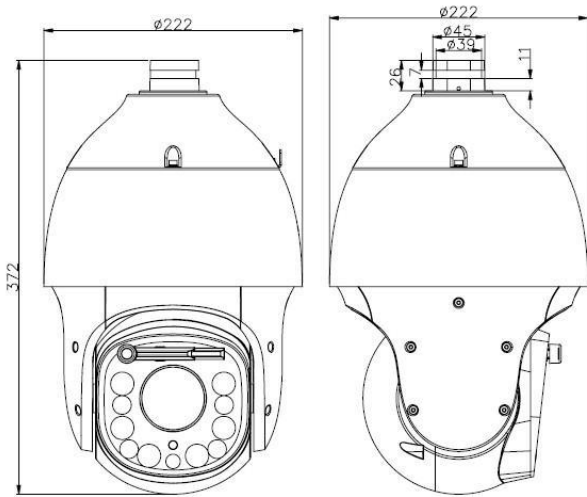
2MP H.265 30x Super Starlight IR PTZ



Features

- Auto Tracking
- H.265 / H.264 / M-JPEG Codec
- Up To 1920 x 1080 High Resolution
- Smart IR, IR range: 80 - 200m (262ft - 656ft) / White Light
- Speed Max 400°/s, - 16~90° Tilt Angle
- Super Starlight Ultra Low-Light 0.002 Lux
- Audio I/O, Alarm I/O, Built-in Speaker
- TVS 6000V Lightning / 4000V Surge Protection
- Operating Temps: -40°C ~ 70°C (-40° ~ 158°F), 0~95% RHG
- Indoor/Outdoor, IP67
- CE, FCC
- Wall mount included

Dimensions (mm)



CAMERA	
Image Sensor	1/1.8" CMOS
Effective Pixels	1920(H) x 1080(V)
Signal System	PAL / NTSC
Minimum Illumination	Color: 0.0008 Lux @ (F1.5, AGC ON) Black & White: 0.0002 Lux @ (F1.5, AGC ON)
White Balance	Auto/ ATW / Manual
AGC	Auto / Manual
S/N Ratio	≥ 55dB
BLC	Yes
HLC	Yes
Smart Defog	Yes
WDR	140dB
Digital Noise Reduction	3D DNR
Exposure Mode	Auto/ Manual / Iris First / Shutter First
Shutter Time	1s-1/100000s
Day & Night	Dual-ICR
Optical Zoom	30x
Digital Zoom	16x
Privacy Masking	24 Dynamic Privacy Masks; Optional Multiple Colors
Auto Focus	Auto / Semi-automatic / Manual
OSD	16x16, 32x32, 24x24, 48x48, 64x64 Character Size
LENS	
Focal Length	6-180mm, 30x
Zoom Speed	Approx.5s (Optical Wide-Tele)
Angle of View	61.2°(w) 2.32°(t)
Aperture Range	F1.5 - F4.3
PAN & TILT	
Pan Range	360°endless
Pan Speed	Pan Manual Speed: 0.1° ~ 400°/s Pan Preset Speed: 240°/s
Preset Accuracy	±0.2°
Tilt Range	-16° ~ 90° (Auto Flip)
Tilt Speed	Tilt Manual Speed: 0.1° 400°/s Tilt Preset Speed: 240°/s
Proportional Zoom	Rotation Speed Can Be Adjusted Automatically According to Zoom Multiples
3D Position	Yes
Number of Preset	256
Scan	8
Cruise	8, up to 32 Presets per Cruise
Pattern	8, Each One With 600s Memory or 300 Orders
Power loss recovery	Yes
Guard Action	Preset/ Cruise/ Pattern/ Scan
PTZ Position Display	Yes
INFRARED	
IR Irradiation Distance	200m (656 ft)
IR Irradiation Angle	Adjustable by Zoom
INTERFACE	
Audio Input	1-ch Mic in (Line in Interface)
Audio Output	1-ch, Line level, Impedance: 600Ω, Built-in Speaker
Ethernet	1-ch RJ45 10M/100M Ethernet Interface
Alarm Input	8-ch
Alarm Output	2-ch
On-board Storage	No SD card supported
BNC	1.0Vp-p / 75Ω, NTSC (or PAL) Composite
RS-485	1-ch
NETWORK	
Ethernet	10Base - T/100Base-TX RJ45 Connector
Max. Image Resolution	1920x1080
Main Stream	1920x1080@25/30fps; 1920x1080@50/60fps; 1280x960@25/30fps; 1280x960@50/60fps;
Sub Stream	704x576@25/30fps; 704x480@25/30fps; 704x288@25/30fps; 704x240@25/30fps
Third Stream	1280x720@25/30fps; 640x480@25/30fps; 704x576@25/30fps; 704x480@25/30fps; 704x480@25/30fps; 704x576@25/30fps; 704x480@25/30fps;
Image Compression	H.265/MJPEG/H.264 Encoding with Baseline/Main/High Profile
ROI Encoding	8 Dynamic Areas for Both Main and Sub Stream
Audio Compression	G711A/G711U/ADPCM/AAC
Protocols	IPv4/IPv6/ HTTP/ HTTPS/ 802.1x/ Qos/ FTP/ SMTP/ UPnP/ SNMP/ DNS/ DDNS/
Remote Connection	10 Users access at the same time
User Permission	Up to 32 Users, 4 Levels
Web Browser	Internet Explorer 8+
System Compatibility	ONVIF (Profile S)
ADVANCED	
Video Analytics(IVA)	Tripwire, Double Tripwire, Perimeter, Object Abandon, Object Remove, Loitering, Audio Abnormal, Video Abnormal
Intelligent Alarm	IP Conflict, MAC Conflict Detection
GENERAL	
Operating Conditions	-40° ~ 70°C, 0~95% RHG (-40° ~ 158°F)
Power Supply	AC24V 3A
Power Consumption	18.55W (IR OFF) / 35.5W (IR ON)
Circuit Protection	TVS 6000V Lightning / Surge 4000V Protection
Impact Protection	IP67
IR LEDs	8pcs
White Light LEDs	2pcs
Wiper	Yes
Dimensions	372 x 222 x 222mm (14.6 x 8.7 x 8.7in)
Weight	5.3KG (IP PTZ Only) (11 lbs.) / 8.75KG (with Packing Box) (19 lbs.)

The latest product information / specification can be found at www.snapav.com. Preliminary Version Data subject to change without notice.