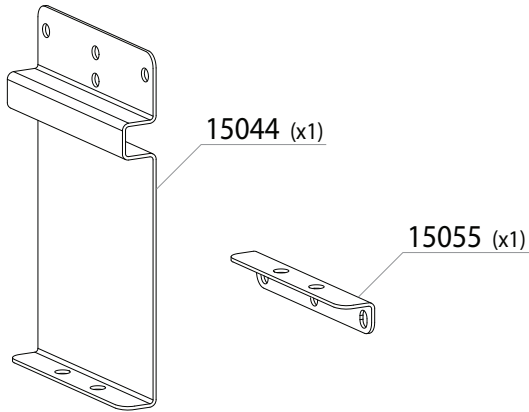


INSTALLATION INSTRUCTIONS

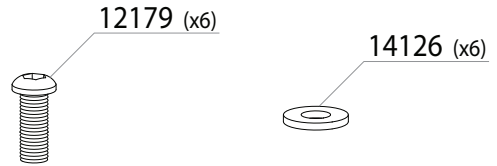
SSB40 Wall Adapter



CONTENTS

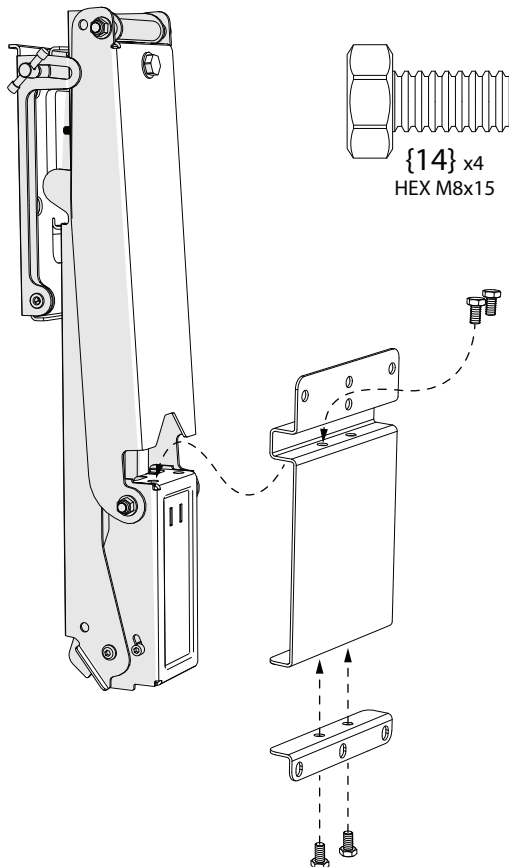


Screws and Washers are only used for installation into an RB100 Recess Box or the AB40 Adapter Bracket (these accessories are available at MantelMount.com)



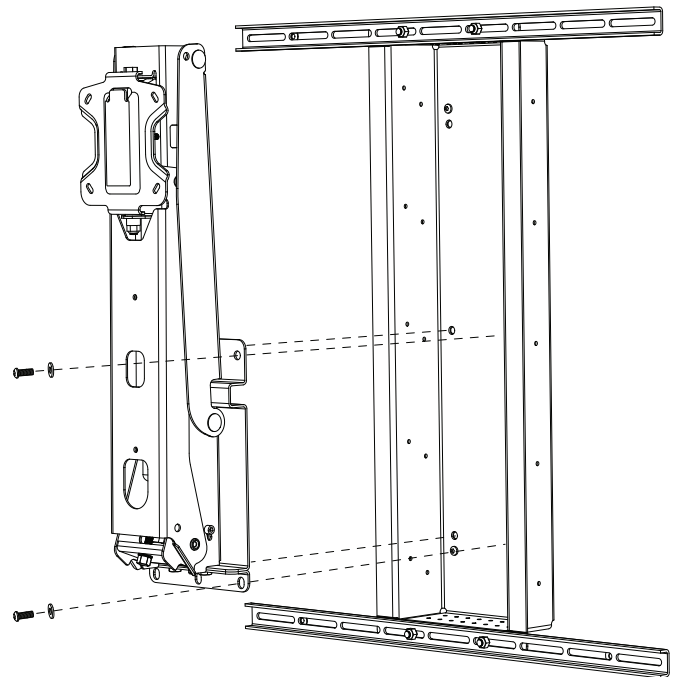
INSTALLATION STEPS

- 1** Use the Hex Screws {14} included with MantelMount models MM340 thru MM540.
- 2** Attach parts 15044 and 15055 to the Lifting Arm as shown, instead of installing the Wall Plates.



3a RB100 Recess Box installation only:

Use Screws 12179 and Washers 14126 (included) to attach the SSB40 to the threaded inserts inside the RB100. (refer to the RB100 Installation Addendum)

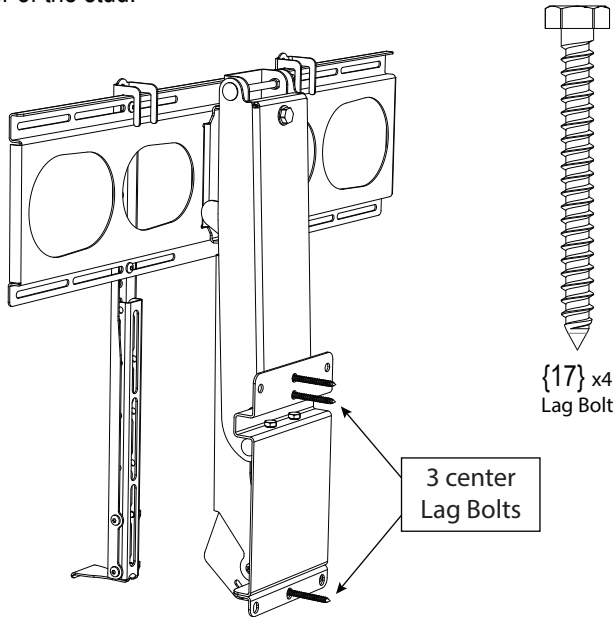


ATTACHMENT OPTIONS:

3b Single Stud Attachment:

When attaching the Adapter to a single stud, install three Lag Bolts {17} included with MantelMount into the three vertical holes in the center of the Adapter.

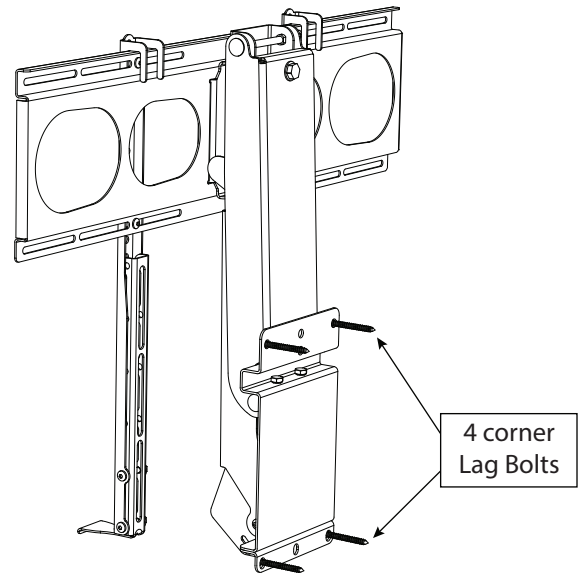
Always ensure the Lag Bolts are installed directly in the center of the stud.



3c Post or Beam Attachment:

When attaching to a large vertical post or horizontal beam, you can choose to install four {17} Lag Bolts into the four holes at the corners of the Adapter.

Never install Lag Bolts too close to the edge of wood material, make sure there is at least one inch of extra wood outside of the Lag Bolts.



Single Stud Attachment (continued): Only two Lag Bolts are accessible when the Lifting Mechanism {35} is in the UP position. Install one Lag Bolt in the top hole and one Lag Bolt in the bottom slot. Then pull the Lifting Mechanism down and install the Safety Bolt according to the Installation Manual. Install the third Lag Bolt after the Lifting Mechanism is safely locked in the lowered position.

