

SONY

Subwoofer

Operating Instructions

SA-SW3



* 5 0 1 1 5 3 0 1 1 * (2)

Owner's Record

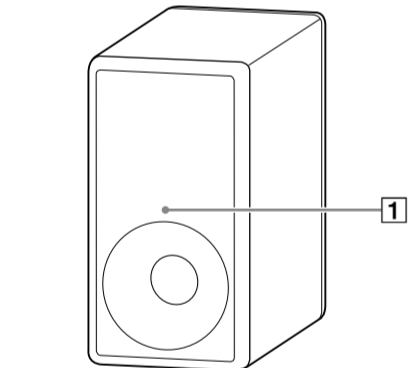
The model and serial numbers are located on the rear of the subwoofer. Record the serial numbers in the space provided below. Refer to them whenever you call upon your Sony dealer regarding this product.
Model No. SA-SW3
Serial No. _____

About compatible models for the subwoofer

The SA-SW3 subwoofer works only with the specified model. For information about compatible models, visit Sony's website. In these Operating Instructions, the operations are described for the subwoofer used with the compatible model HT-A7000 or HT-A9.

Parts and Controls

Front



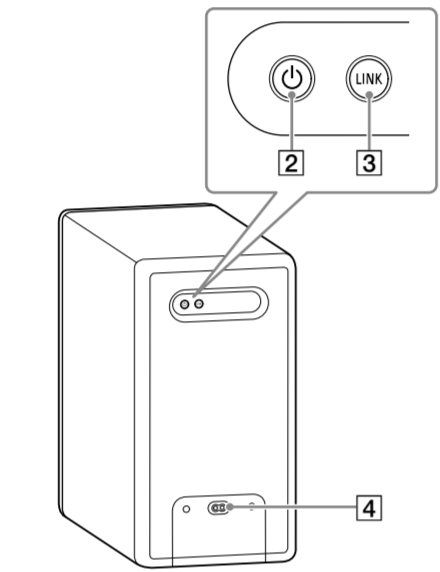
- 1** Power indicator
 - Flashes slowly (green): The subwoofer is not connected to a compatible model.
 - Lights up (green): The subwoofer is connected to a compatible model.
 - Flashes twice repeatedly (green): The subwoofer is attempting to connect to a compatible model.
 - Flashes/lights up (amber): The software is updating.
 - Lights up (red): The subwoofer is in standby mode.
 - Turns off: The subwoofer is turned off.

Note

The brightness of the power indicator syncs with the DIMMER settings of a compatible model.

©2020 Sony Corporation Printed in Malaysia
5-011-530-11(2)

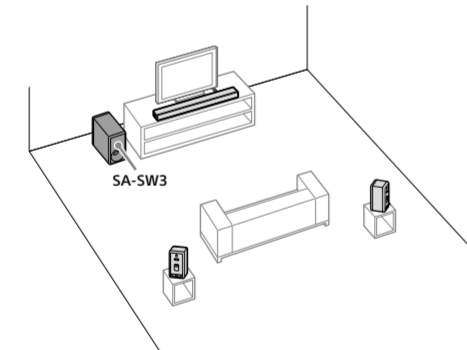
Rear



- 2** (power) button
- 3** LINK button
- 4** AC inlet

Installation

The following illustration is the installation example to use the subwoofer with the compatible model HT-A7000 and optional rear speakers.



- 1 Install the subwoofer in the place that you want.**
You can install the subwoofer in the place that you want because the output sound from it has no directivity. The above illustration is the example for installation of the subwoofer.

Tip

To obtain a good surround sound, set the subwoofer distance from your listening position by using the setup menu of a compatible model. For details, refer to the Operating Instructions supplied with a compatible model.

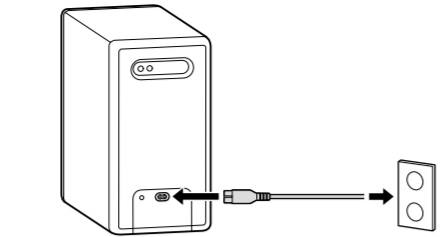
Connection

Tip

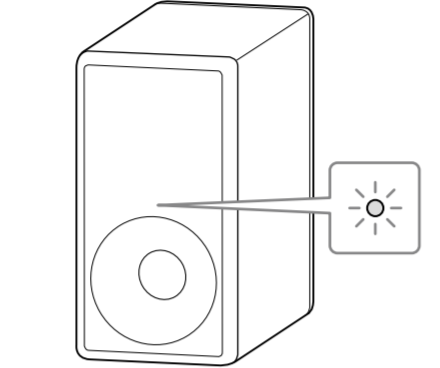
You can connect the optional rear speaker with a compatible model in the following way when installing it too.

- 1 Turn on a compatible model.**

- 2 Connect the AC power cord (mains lead) (supplied) to the subwoofer, and then connect the cord to the AC outlets (mains).**



- 3 Make sure that the power indicator on the subwoofer lights in green.**
When the power indicator lights in green, the connection between the subwoofer and a compatible model is established. If the connection is not established, connect the subwoofer to a compatible model manually. For details, see "If the Connection is not Established Automatically".



If the Connection is not Established Automatically

If you cannot connect the subwoofer to a compatible model automatically or you use multiple compatible models and want to specify the compatible model for connecting the subwoofer, perform the manual connection. The following operation is described for the subwoofer used with the compatible model HT-A7000 or HT-A9. Use the remote control supplied with the compatible model HT-A7000 or HT-A9 when performing this operation. If you use other compatible models, refer to the Operating Instructions supplied with them.

- 1 Press HOME.**
The home menu appears on the TV screen.
- 2 Select [Setup] - [Advanced Settings] on the home menu.**
- 3 Select [Speaker Settings] - [Wireless Speaker Settings] - [Start manual linking].**
The [Start manual linking] screen appears on the TV screen.
- 4 Press LINK on the subwoofer.**
The power indicator of the subwoofer that had LINK pressed flashes twice repeatedly in green.

- 5 Select [Start].**
The manual link starts. The connecting process appears on the TV screen. To cancel the manual link, select [Cancel].

- 6 When [Subwoofer] display [Connected], select [Finish].**

- 7 Press ⊕.**
The link is established and the power indicator of the subwoofer lights in green.

Note

- If you perform [Start manual linking], [Link mode] of [Wireless Speaker Settings] is set to [Manual] automatically.
- Only the speakers for which [Connected] has been displayed in Step 6 connect to a compatible model. If the connection of the subwoofer cannot be established, perform the manual connection again.

If Wireless Transmission is Unstable

If you use multiple wireless systems, such as a wireless LAN, the wireless signals may become unstable. In this case, the transmission may be improved by changing the following setting. The following operation is described for the subwoofer used with the compatible model HT-A7000 or HT-A9 when performing this operation. If you use other compatible models, refer to the Operating Instructions supplied with them.

- 1 Press HOME.**
The home menu appears on the TV screen.
- 2 Select [Setup] - [Advanced Settings] on the home menu.**
- 3 Select [Speaker Settings] - [Wireless Speaker Settings] - [RF Channel].**
- 4 Select the setting you want.**
 - [On] (default setting): Normally select this. The system automatically selects the better channel for transmission. Stronger mode for wireless interference.
 - [Off]: The system selects a channel from the limited frequency band to prevent external wireless interference. If sound dropping occurs while [On] is selected, it may be improved by selecting [Off].

Note

- If you change the [RF Channel] setting from [Off] to [On], it may take 1 minute to reconnect.
- A compatible model may not meet this setting depending on countries/regions where you purchase it.

Troubleshooting

If you experience any of the following difficulties while using the subwoofer, use this troubleshooting guide to help remedy the problem before requesting repairs. Should any problem persist, consult your nearest Sony dealer. Be sure to bring all of your subwoofer, a compatible model and optional rear speakers (not supplied) even if it seems as though only one has a problem, when you request to repair. The following solutions are described for the subwoofer used with the compatible model HT-A7000 or HT-A9. If you use other compatible models, refer to the Operating Instructions supplied with them.

No sound or only a very low-level sound is heard from the subwoofer.

- ➔ Press SW \leftarrow + or BASS + on the remote control of a compatible model to increase the subwoofer volume.
- ➔ Make sure that the power indicator on the subwoofer is lit in green.
- ➔ If the power indicator on the subwoofer does not light, try the following.
 - Make sure the AC power cord (mains lead) of the subwoofer is connected properly.
 - Press (power) of the subwoofer to turn on the power.
- ➔ If the power indicator on the subwoofer flashes slowly in green or lights in red, try the following.
 - Move the subwoofer to a location near a compatible model so that the power indicator on the subwoofer lights in green.
 - Follow the steps in "If the Connection is not Established Automatically."
 - Check the wireless connection status. For details, refer to the Operating Instructions supplied with a compatible model.
- ➔ If the power indicator on the subwoofer flashes in red, press (power) of the subwoofer to turn off the power and check whether the ventilation holes of the subwoofer is blocked or not.
- ➔ If the input sources contain very little bass sound components (i.e., a TV broadcast), the sound from the subwoofer may be difficult to hear. You can check the subwoofer sound by emitting the test tone.
- ➔ Set the night mode to off. For details, refer to the Operating Instructions supplied with a compatible model.
- ➔ If you change the [RF Channel] setting from [Off] to [On], it may take 1 minute for the sound to be output.

Specifications

Amplifier section

U.S. models:
POWER OUTPUT AND TOTAL HARMONIC DISTORTION: (FTC)
With 2 ohms loads, from 28 - 200 Hz; rated 130 W, minimum RMS power, with no more than 1% total harmonic distortion from 250 mW to rated output.

POWER OUTPUT (reference)
200 W (at 2 ohms, 100 Hz)

Canadian models:
POWER OUTPUT (reference)
200 W (at 2 ohms, 100 Hz)

Speaker system

Subwoofer speaker system, Bass reflex

Speaker

160 mm (6 3/8 in) cone type

Power requirements

120 V AC, 60 Hz

Power consumption

On: 40 W

Standby mode: 1 W or less

Turned off: 0.5 W or less

Dimensions (approx.) (w/h/d)
201 mm × 382.5 mm × 402 mm (8 in × 15 1/8 in × 15 7/8 in) (not including projection portion)

Mass (approx.)

9.0 kg (19 lb 14 oz)

Wireless transmitter/receiver section

Communication system

Wireless Sound Specification Version 4.0

Frequency band

5 GHz

Modulation method

OFDM

Included items

- Subwoofer (1)
- AC power cord (mains lead) (1)
- Operating Instructions (1)

Important information on software

This product contains software that is subject to the GNU General Public License ("GPL") or GNU Lesser General Public License ("LGPL"). These establish that customers have the right to acquire, modify, and redistribute the source code of said software in accordance with the terms of the GPL or the LGPL.

For the method to confirm the GPL, LGPL and other software licenses contained in the subwoofer, please refer to the Operating Instructions of a compatible model. When you use the compatible model HT-A7000 or HT-A9, please refer to [Software License Information] under [Setup] - [Advanced Settings] - [System Settings] on the home menu.

You may find a copy of the relevant source code as required under the GPLv2 (and other licenses) at <https://oss.sony.net/Products/Linux>

You may obtain the source code as required by the GPLv2 on a physical medium from us for a period of three years after our last shipment of this product by applying through the form at <https://oss.sony.net/Products/Linux>
This offer is valid to anyone in receipt of this information.

Please note that Sony cannot answer or respond to any inquiries regarding the content of this source code.

All other trademarks are trademarks of their respective owners.

WARNING

To reduce the risk of fire or electric shock, do not expose this subwoofer to rain or moisture.

The subwoofer is not disconnected from the mains as long as it is connected to the AC outlet, even if the subwoofer itself has been turned off.

To reduce the risk of fire, do not cover the ventilation opening of the subwoofer with newspapers, tablecloths, curtains, etc. Do not expose the subwoofer to naked flame sources (for example, lighted candles).

To reduce the risk of fire or electric shock, do not expose this subwoofer to dripping or splashing, and do not place objects filled with liquids, such as vases, on the subwoofer.

As the main plug is used to disconnect the subwoofer from the mains, connect the subwoofer to an easily accessible AC outlet. Should you notice an abnormality in the subwoofer, disconnect the main plug from the AC outlet immediately.

Do not install the subwoofer in a confined space, such as a bookcase or built-in cabinet.

Do not place this product close to medical devices.

This product (including accessories) has magnet(s) which may interfere with pacemakers, programmable shunt valves for hydrocephalus treatment, or other medical devices. Do not place this product close to persons who use such medical devices. Consult your doctor before using this product if you use any such medical device.

Indoor use only.

For the customers in the U.S.A.

NOTE:

This subwoofer has been tested and found to comply with the limits for a Class B digital device, pursuant to Part 15 of the FCC Rules. These limits are designed to provide reasonable protection against harmful interference in a residential installation. This subwoofer generates, uses and can radiate radio frequency energy and, if not installed and used in accordance with the instructions, may cause harmful interference to radio communications.

However, there is no guarantee that interference will not occur in a particular installation. If this subwoofer does cause harmful interference to radio or television reception, which can be determined by turning the subwoofer off and on, the user is encouraged to try to correct the interference by one or more of the following measures:

- Reorient or relocate the receiving antenna.
- Increase the separation between the subwoofer and receiver.
- Connect the subwoofer into an outlet on a circuit different from that to which the receiver is connected.
- Consult the dealer or an experienced radio/TV technician for help.

If you have any questions about this subwoofer: Visit: www.sony.com/electronics/support
Contact: Sony Customer Information Service Center at 1-800-222-Sony(7669)
Write: Sony Customer Information Service Center 12451 Gateway Blvd., Fort Myers, FL 33913

Supplier's Declaration of Conformity

Trade Name: SONY

Model: SA-SW3

Responsible Party: Sony Electronics Inc.

Address: 16535 Via Esprillo, San Diego, CA 92127

U.S.A.

Telephone Number: 858-942-2230

This device complies with part 15 of the FCC rules. Operation is subject to the following two conditions: (1) This device may not cause harmful interference, and (2) this device must accept any interference received, including interference that may cause undesired operation.

CAUTION

You are cautioned that any changes or modifications not expressly approved in this manual could void your authority to operate this subwoofer.

This subwoofer must not be co-located or operated in conjunction with any other antenna or transmitter.

This subwoofer complies with FCC radiation exposure limits set forth for an uncontrolled environment and meets the FCC radio frequency (RF) Exposure Guidelines. This subwoofer should be installed and operated keeping the radiator at least 20cm or more away from person's body.

Compliance with FCC requirement 15.407(c)
Data transmission is always initiated by software, which is the passed down through the MAC, through the digital and analog baseband, and finally to the RF chip. Several special packets are initiated by the MAC. These are the only ways the digital baseband portion will turn on the RF transmitter, which it then turns off at the end of the packet. Therefore, the transmitter will be on only while one of the aforementioned packets is being transmitted. In other words, this device automatically discontinue transmission in case of either absence of information to transmit or operational failure.

Frequency Tolerance: ±20 ppm or less

For the customers in Canada

This subwoofer contains licence-exempt transmitter(s)/receiver(s) that comply with Innovation, Science and Economic Development Canada's license-exempt RSS(s). Operation is subject to the following two conditions: (1) This subwoofer may not cause interference; and (2) This subwoofer must accept any interference, including interference that may cause undesired operation of the subwoofer.

This subwoofer complies with ISED radiation exposure limits set forth for an uncontrolled environment and meets RSS-102 of the ISED radio frequency (RF) Exposure rules. This subwoofer should be installed and operated keeping the radiator at least 20cm or more away from person's body.

5.15 - 5.35 GHz band is restricted to indoor operations only.

Data transmission is always initiated by software, which is the passed down through the MAC, through the digital and analog baseband, and finally to the RF chip. Several special packets are initiated by the MAC. These are the only ways the digital baseband portion will turn on the RF transmitter, which it then turns off at the end of the packet. Therefore, the transmitter will be on only while one of the aforementioned packets is being transmitted. In other words, this device automatically discontinue transmission in case of either absence of information to transmit or operational failure.

Precautions

On safety

- Should any solid object or liquid fall into the subwoofer, unplug the system and have it checked by qualified personnel before operating it any further.
- Do not climb on the subwoofer, as you may fall down and injure yourself, or the subwoofer damage may result.

On power sources

- Before operating the subwoofer, check that the operating voltage is identical to your local power supply. The operating voltage is indicated on the nameplate at the rear of the subwoofer.
- If you are not going to use the subwoofer for a long time, be sure to disconnect the subwoofer from the wall outlet (mains). To disconnect the AC power cord (mains lead), grasp the plug itself; never pull the cord.
- One blade of the plug is wider than the other for the purpose of safety and will fit into the wall outlet (mains) only one way. If you are unable to insert the plug fully into the outlet, contact your dealer.
- AC power cord (mains lead) must be changed only at a qualified service shop.

On heat buildup

- Although the subwoofer heats up during operation, this is not a malfunction. If you continuously use this subwoofer at high volume, the subwoofer temperature at the rear and bottom rises considerably. To avoid burning yourself, do not touch the subwoofer.

On placement

- Do not place the subwoofer near heat sources or in a place subject to direct sunlight, excessive dust, or mechanical shock.
- Do not place metal objects other than a TV around the subwoofer. Wireless functions may be unstable.
- If the subwoofer is being used in combination with a TV, VCR, or tape deck, noise may result and picture quality may suffer. In such a case, place the subwoofer away from the TV, VCR, or tape deck.
- Use caution when placing the subwoofer on a surface that has been specially treated (with wax, oil, polish, etc.), as staining or discoloration of the surface may result.
- The speakers of this subwoofer are not of magnetically shielded type. Do not place magnetic cards on the subwoofer or near it.

If you encounter color irregularity on a nearby TV screen

Color irregularities may be observed on certain types of TV sets.

On cleaning

Clean the subwoofer with a soft, dry cloth. Do not use any type of abrasive pad, scouring powder, or solvent such as alcohol or benzene.

If you have any question or problem concerning your system, please consult your nearest Sony dealer.