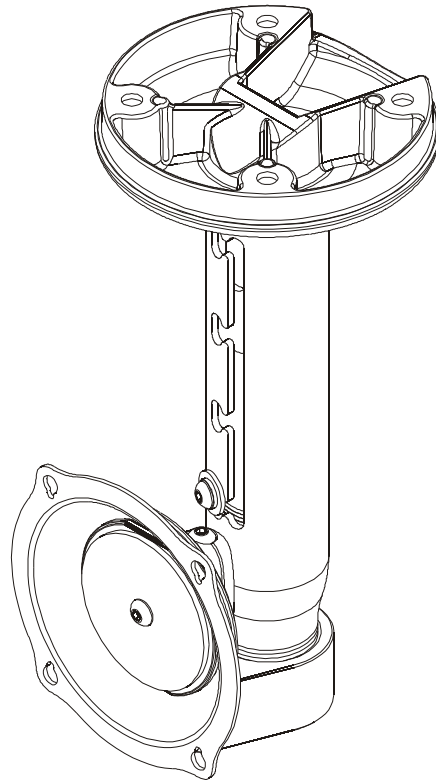

INSTALLATION INSTRUCTIONS



All-Weather Ceiling Mount

SunBriteTV[®]

SB-CM32A12

DISCLAIMER

SunBriteTV LLC (SBTV) intend to make this manual accurate and complete. However, SBTV makes no claim that the information contained herein covers all details, conditions or variations, nor does it provide for every possible contingency in connection with the installation or use of this product. The information contained in this document is subject to change without notice or obligation of any kind. SBTV makes no representation of warranty, expressed or implied, regarding the information contained herein. SBTV assumes no responsibility for accuracy, completeness or sufficiency of the information contained in this document.

SunBriteTV® is a registered trademark of SunBrite TV LLC. Built to SunBriteTV® specifications by Chief Manufacturing. All rights reserved.

IMPORTANT ! : The SB-CM32A12 is designed to be mounted to 2" x 4" wood stud joists.

--SAVE THESE INSTRUCTIONS--



IMPORTANT SAFETY INSTRUCTIONS



WARNING: A WARNING alerts you to the possibility of serious injury or death if you do not follow the instructions.



CAUTION: A CAUTION alerts you to the possibility of damage or destruction of equipment if you do not follow the corresponding instructions.



WARNING: Failure to read, thoroughly understand, and follow all instructions can result in serious personal injury, damage to equipment, or voiding of factory warranty! It is the installer's responsibility to make sure all components are properly assembled and installed using the instructions provided.



WARNING: Failure to provide adequate structural strength for this component can result in serious personal injury or damage to equipment! It is the installer's responsibility to make sure the structure to which this component is attached can support five times the combined weight of all equipment. Reinforce the structure as required before installing the component.



WARNING: Exceeding the weight capacity can result in serious personal injury or damage to equipment! It is the installer's responsibility to make sure the combined weight of all components located between the SB-CM32A12 mount up to (and including) the display does not exceed 75 lbs (34 kg).

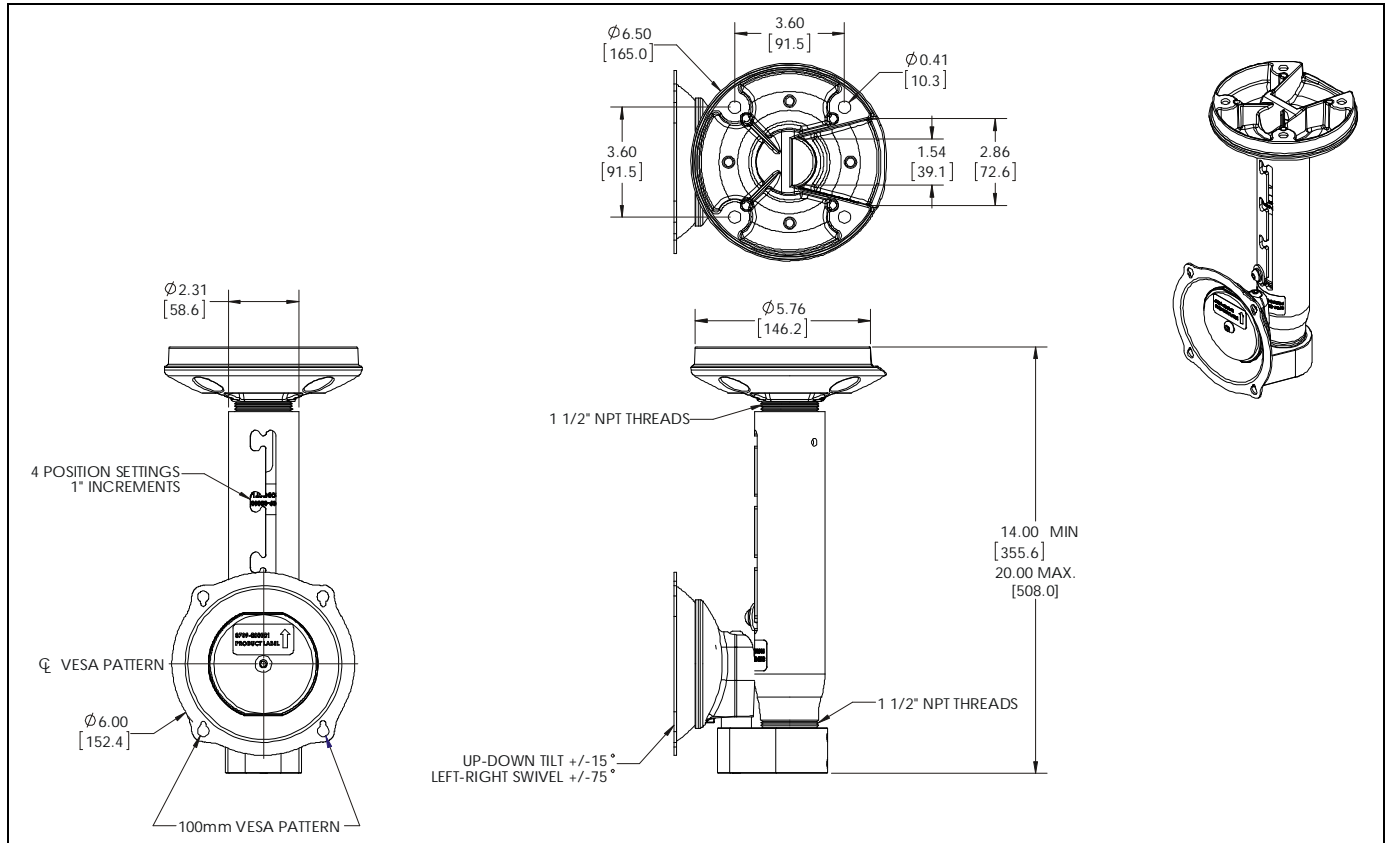


WARNING: Use this mounting system only for its intended use as described in these instructions. Do not use attachments not recommended by the manufacturer.



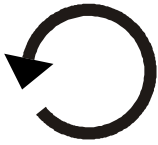


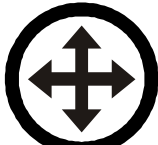




WARNING: Never operate this mounting system if it is damaged. Return the mounting system to a service center for examination and repair.

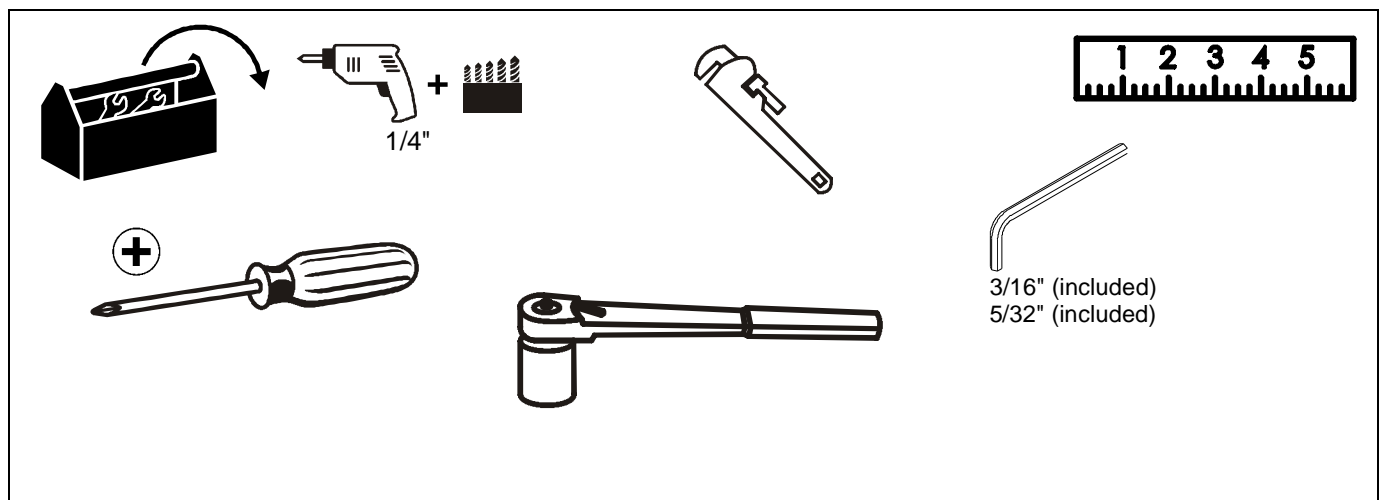
DIMENSIONS



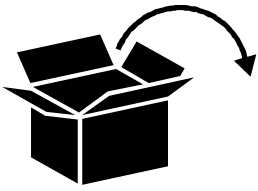
LEGEND

	<p>Tighten Fastener Apretar elemento de fijación Befestigungsteil festziehen Apertar fixador Serrare il fissaggio Bevestiging vastdraaien Serrez les fixations</p>		<p>Pencil Mark Marcar con lápiz Stiftmarkierung Marcar com lápis Segno a matita Potloodmerkteken Marquage au crayon</p>
	<p>Loosen Fastener Aflojar elemento de fijación Befestigungsteil lösen Desapertar fixador Allentare il fissaggio Bevestiging losdraaien Desserrez les fixations</p>		<p>Drill Hole Perforar Bohrloch Fazer furo Praticare un foro Gat boren Percez un trou</p>
	<p>Phillips Screwdriver Destornillador Phillips Kreuzschlitzschraubendreher Chave de fendas Phillips Cacciavite a stella Kruiskopschroevendraaier Tournevis à pointe cruciforme</p>		<p>Adjust Ajustar Einstellen Ajustar Regolare Afstellen Ajuster</p>
	<p>Open-Ended Wrench Llave de boca Gabelschlüssel Chave de bocas Chiave a punte aperte Steeksleutel Clé à fourche</p>		<p>Hex-Head Wrench Llave de cabeza hexagonal Sechskantschlüssel Chave de cabeça sextavada Chiave esagonale Zeskantsleutel Clé à tête hexagonale</p>

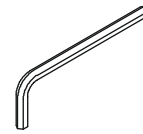
TOOLS REQUIRED FOR INSTALLATION



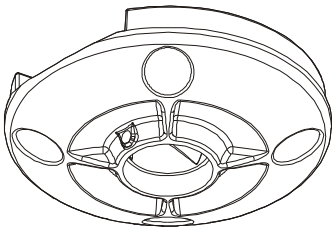
PARTS



A (1)
[adjustable column]



B (1)
3/16"



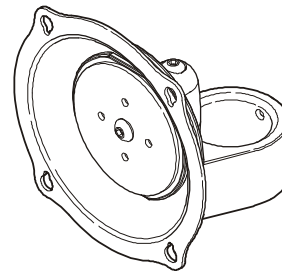
C (1)
[ceiling plate]



D (1)
5/16" x 1/4"



E (4)
3/8"



F (1)
[head assembly]



G (2)
5/16-18 x 3/8"



H (1)
5/32"

INSTALLATION



WARNING: Failure to provide adequate structural strength for this component can result in serious personal injury or damage to equipment! It is the installer's responsibility to make sure the structure to which this component is attached can support five times the combined weight of all equipment. Reinforce the structure as required before installing the component.

- Using ceiling plate (C) as a template, mark locations of two pilot holes (See Figure 1). Ensure the following:
 - Use *OPPOSITE* holes in plate (C), and
 - Marks are in the center of wood joist.

NOTE: Drywall not shown for clarity.

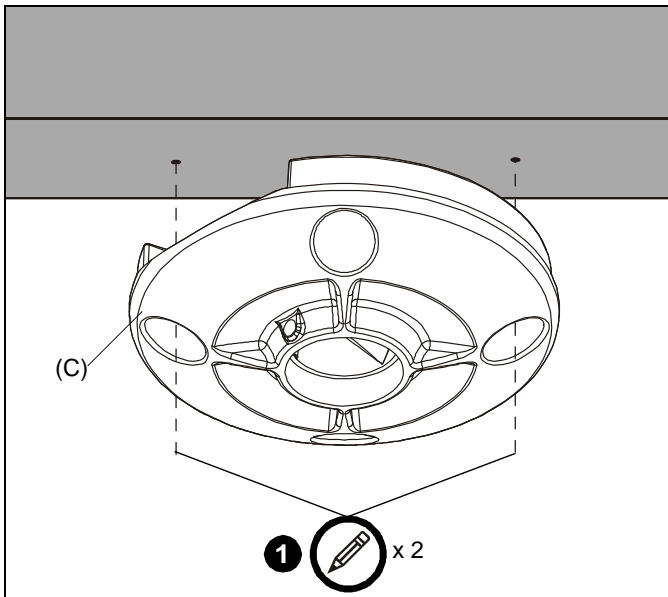


Figure 1

- Drill 1/4" diameter pilot holes into wood joist. (See Figure 2) Ensure pilot holes are straight.

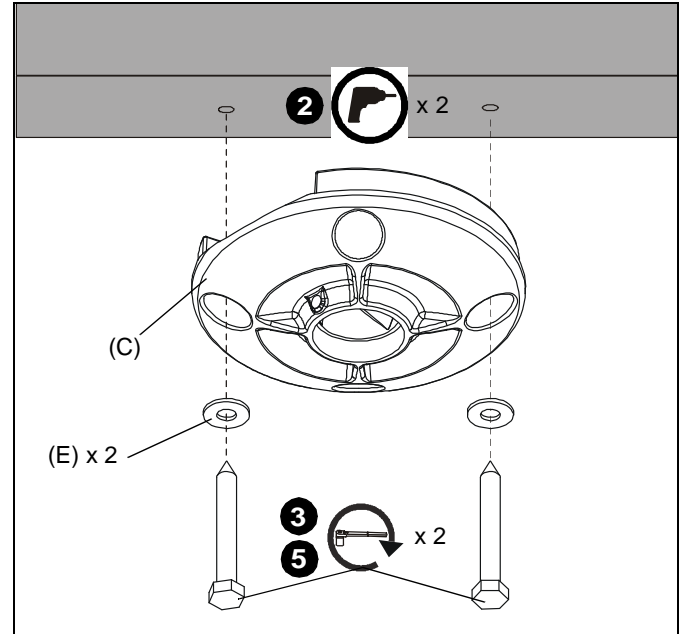


Figure 2

- Using 9/16" socket wrench, loosely install two (minimum) Grade 2 (not included) 3/8" x 2-1/2" lag screws through 3/8" washers (E), ceiling plate (C), into wood joist (See Figure 2). Do not tighten plate (C) against ceiling at this time to accommodate cable installation.

NOTE: Two additional washers are provided.

- Route cables through channel in ceiling plate (C). (See Figure 3)

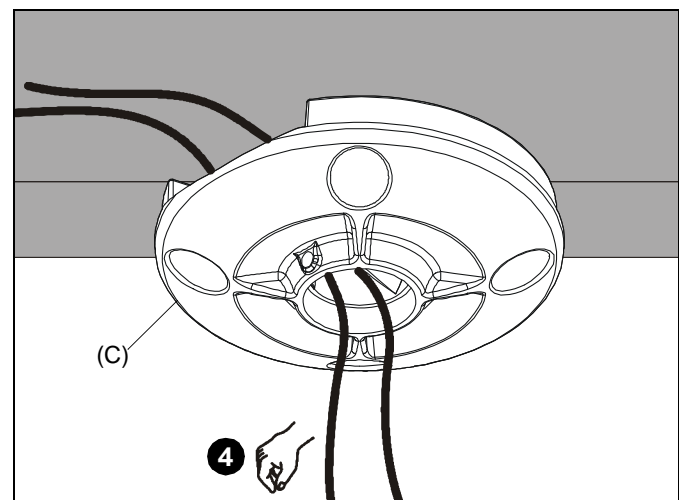


Figure 3

- Tighten lag screws. (See Figure 2)

ADJUSTABLE LENGTH EXTENSION COLUMN

1. Install adjustable column (A) into plate. (See Figure 4)
Securely tighten column.
 - Ensure column (A) engages four full threads into plate.
 - Ensure cable access opening is rotated to desired position (optional installation, column (A)).

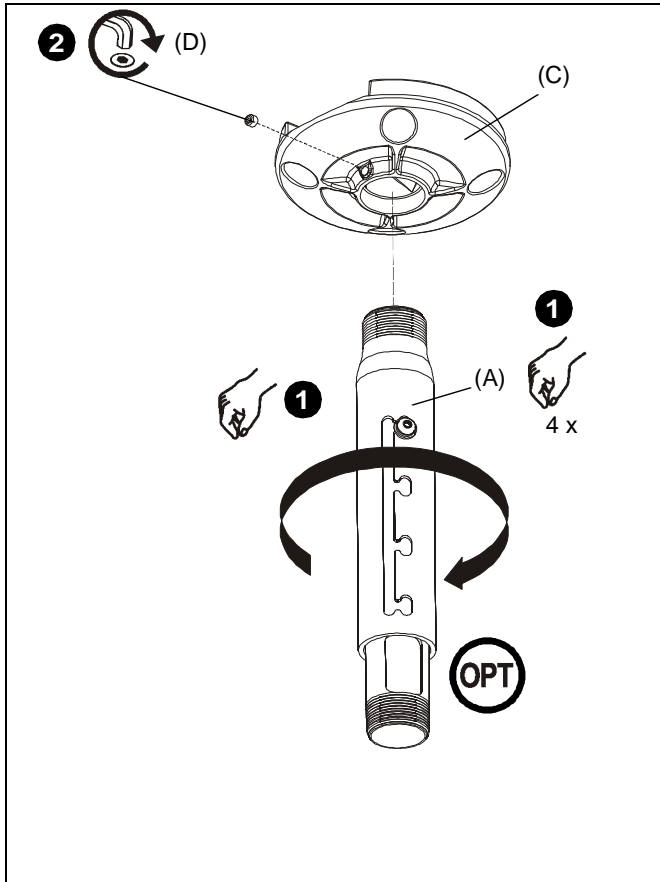


Figure 4

2. Secure column (A) by tightening set screw (D) in plate using 3/16" hex key (B). (See Figure 4)

NOTE: Two adjustment holes provided in interior (fixed) column. Either adjustment hole can be used to provide 1" (25mm) adjustment increments.

3. (Optional) Remove button head cap screw and supporting washers from lower adjustment hole if an additional 1" (25mm) adjustment increment is desired. (See Figure 5)
4. (Optional) Replace button head cap screw and supporting washers into upper adjustment hole to provide an additional 1" (25mm) adjustment increment. (See Figure 5)

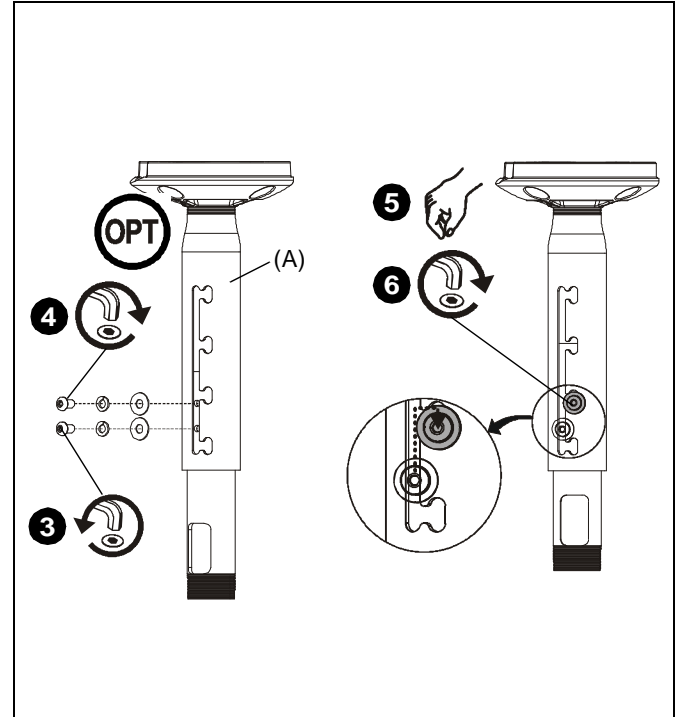


Figure 5

5. Adjust column (A) to desired length, then rotate and lock into position. (See Figure 5)

NOTE: Any locking slot can be used to provide 1" (25mm) adjustment increments.

6. Tighten adjustment screw using 3/16" hex key (B). (See Figure 5)

7. Tighten set screws on back of pipe using 3/16" key (B). (See Figure 6)

NOTE: Optional installation similar; not shown.

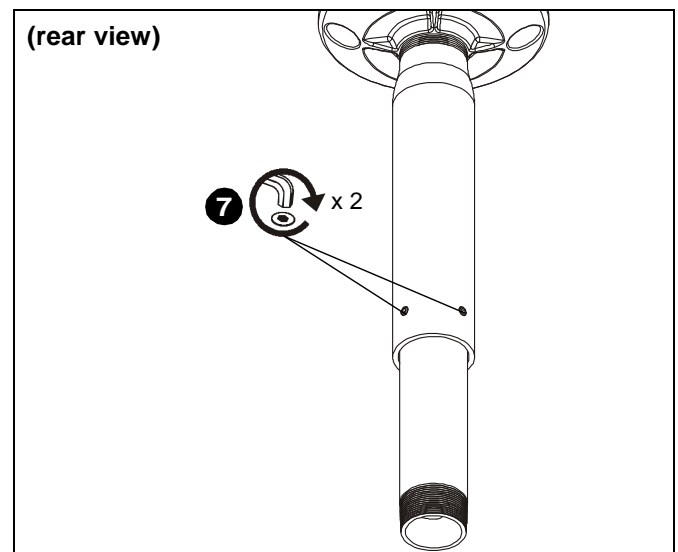


Figure 6

Head Assembly Installation

1. Thread head assembly (F) onto adjustment column (A) until hand tight. (See Figure 7)
2. Adjust head assembly (F) position until Centris cup is facing the desired position of the display. (See Figure 7)

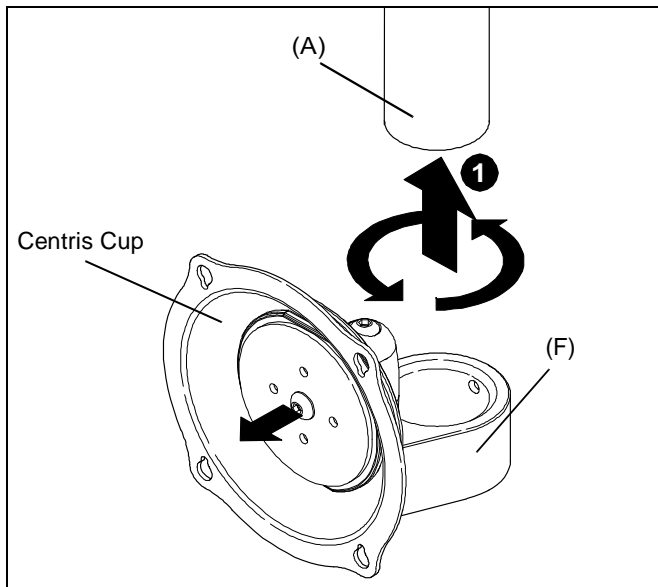


Figure 7

3. When head assembly (F) is properly positioned, secure head assembly (F) to adjustment column (A) by installing and tightening 5/16-18 x 3/8" set screw (G) using 5/32" hex key (H). (See Figure 8)

NOTE: If mount is being used to couple two pipes, use both set screws when securing head assembly (F) to pipes.

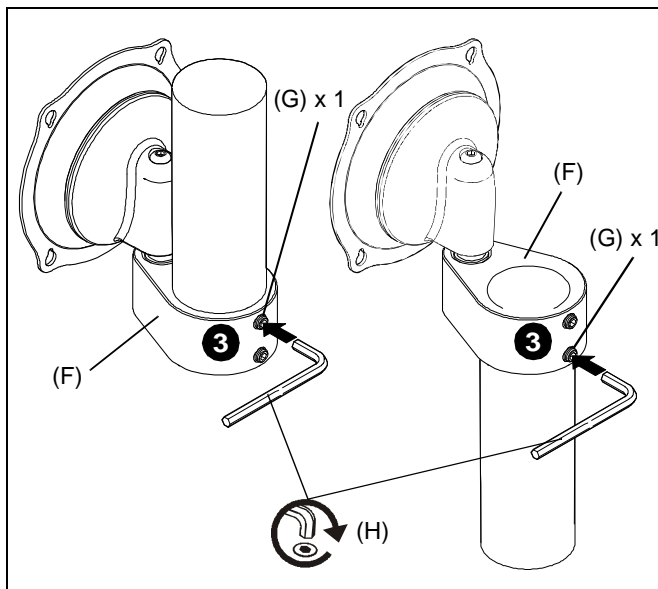


Figure 8

Display Installation



WARNING: IMPROPER INSTALLATION CAN LEAD TO EQUIPMENT FALLING CAUSING SERIOUS PERSONAL INJURY AND DAMAGE TO EQUIPMENT! DO NOT substitute hardware. Use only hardware supplied by manufacturer!



WARNING: IMPROPER INSTALLATION CAN LEAD TO ELECTRIC SHOCK OR DAMAGE TO EQUIPMENT! Screw length must not exceed the depth of threaded mounting insert in display.



WARNING: OVERTIGHTENING OF SCREWS CAN DAMAGE PARTS AND LEAD TO SERIOUS PERSONAL INJURY AND DAMAGE TO EQUIPMENT! DO NOT over tighten screws when installing interface bracket.



WARNING: IMPROPER INSTALLATION CAN LEAD TO DISPLAY FALLING CAUSING SERIOUS PERSONAL INJURY OR DAMAGE TO EQUIPMENT! Using screws of improper size may damage your display! Proper screws will easily and completely thread into display mounting holes. Ensure that screws are not too long.



WARNING: IMPROPER INSTALLATION CAN LEAD TO DISPLAY FALLING CAUSING SERIOUS PERSONAL INJURY OR DAMAGE TO EQUIPMENT! Inadequate thread engagement in display may cause display to fall! Back out screws ONLY as necessary to allow installation of Centris cup!

1. Loosen the top two mounting screws on the back of the display to protrude 1/8" and remove the bottom two screws. (See Figure 9)

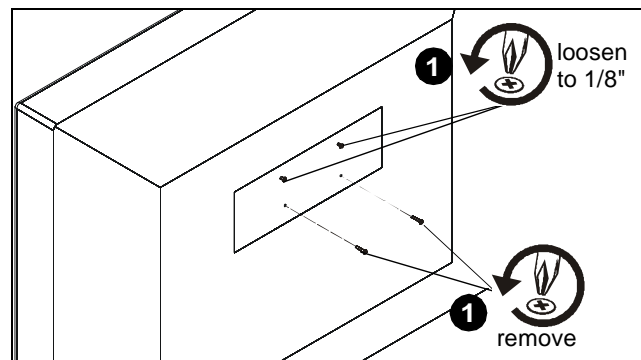


Figure 9

2. Align two screws in display back with upper teardrop mounting holes in mounting plate and lower display until screws are seated in lower area of teardrop mounting holes. (See Figure 10)



CAUTION: Do not let go of the television at this point. Hold the television in place while proceeding to the next step!

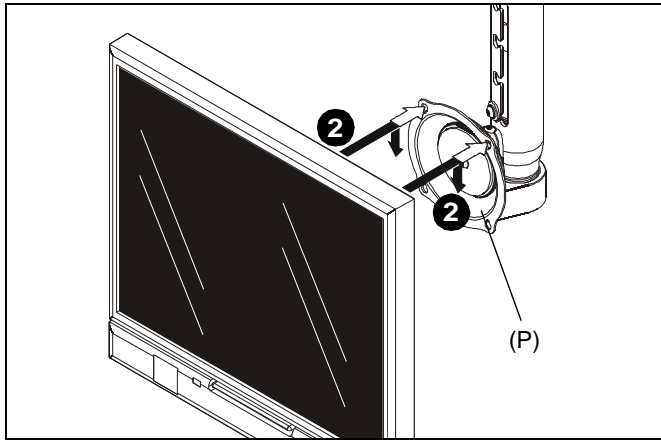


Figure 10

3. Install two removed screws through lower mounting holes in display mounting plate and into display back. (See Figure 11)

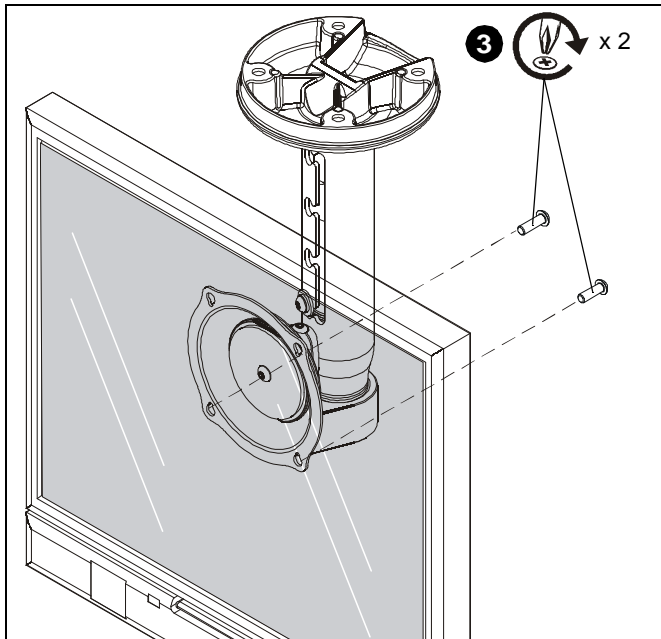


Figure 11

4. Tighten all hardware.
5. Route cables and wires to display.

Adjustments

To adjust display Roll, Pitch, and YAW tension:

1. Disconnect all wires and cable from the display.
2. Remove two *Lower* screws securing display to Centris cup.
3. Loosen two *Upper* screws securing display.
4. Lift display upward and away from mount.
5. Using a hex head wrench turn the tension adjustment screw clockwise to increase tension, or counter-clockwise to decrease tension. (See Figure 12)
6. Re-install display.

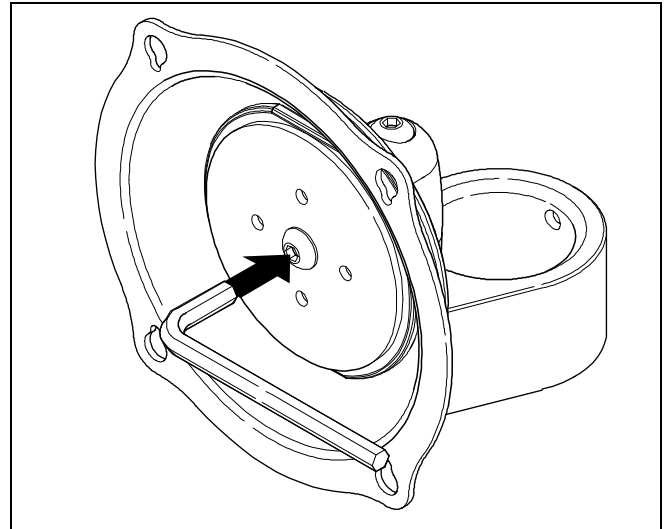


Figure 12

SunBriteTV[®]

8800-002310 Rev00
12/12

SunBriteTV, LLC

2001 Anchor Court
Thousand Oaks, CA 91320

866-357-8688

www.sunbritev.com

