

WIREFATH

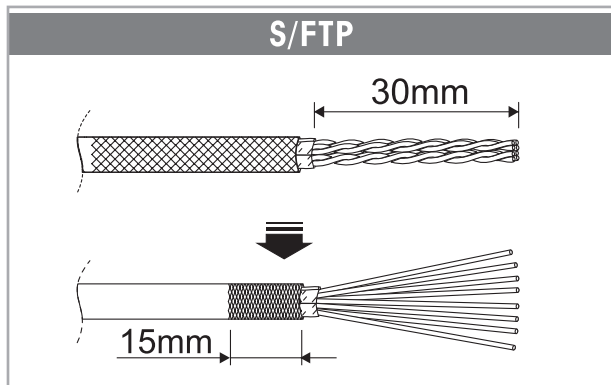
BULK WIRE

WP-CAT6-6A-RJ45-SHLD Shielded Keystone Quick Start Guide

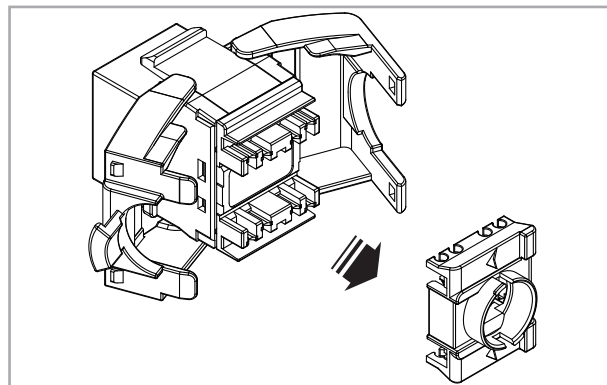
Tools Needed:

- Wire Cutters
- Flathead screwdriver

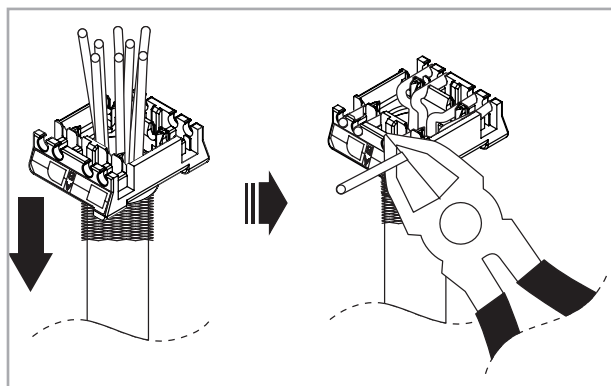
Installation



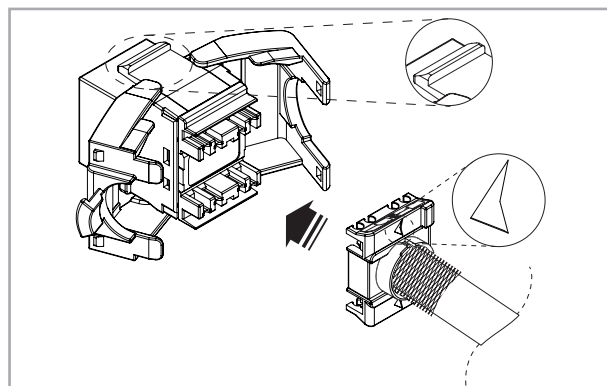
1. Remove about 3cm of the cable sheath. Keep about 15mm of the cable braid (foil).



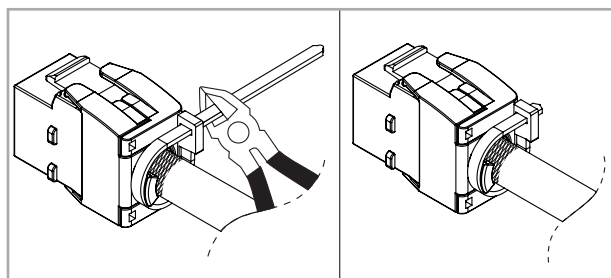
2. Release the Cap.



3. Weave the cable end through the cap. Seat each color coded wire into the matching cap position and trim excess wire.

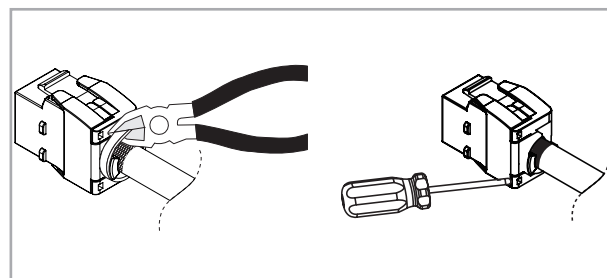


4. Check that the wired cap is in the correct orientation and cover it with both jaws.



5. Thread the supplied cable tie through the wired cap, then tighten around the braided shield. Trim the cable tie.

Removal



1. Cut the cable tie.
2. Insert a flathead screwdriver to unlock the wired cap and remove.