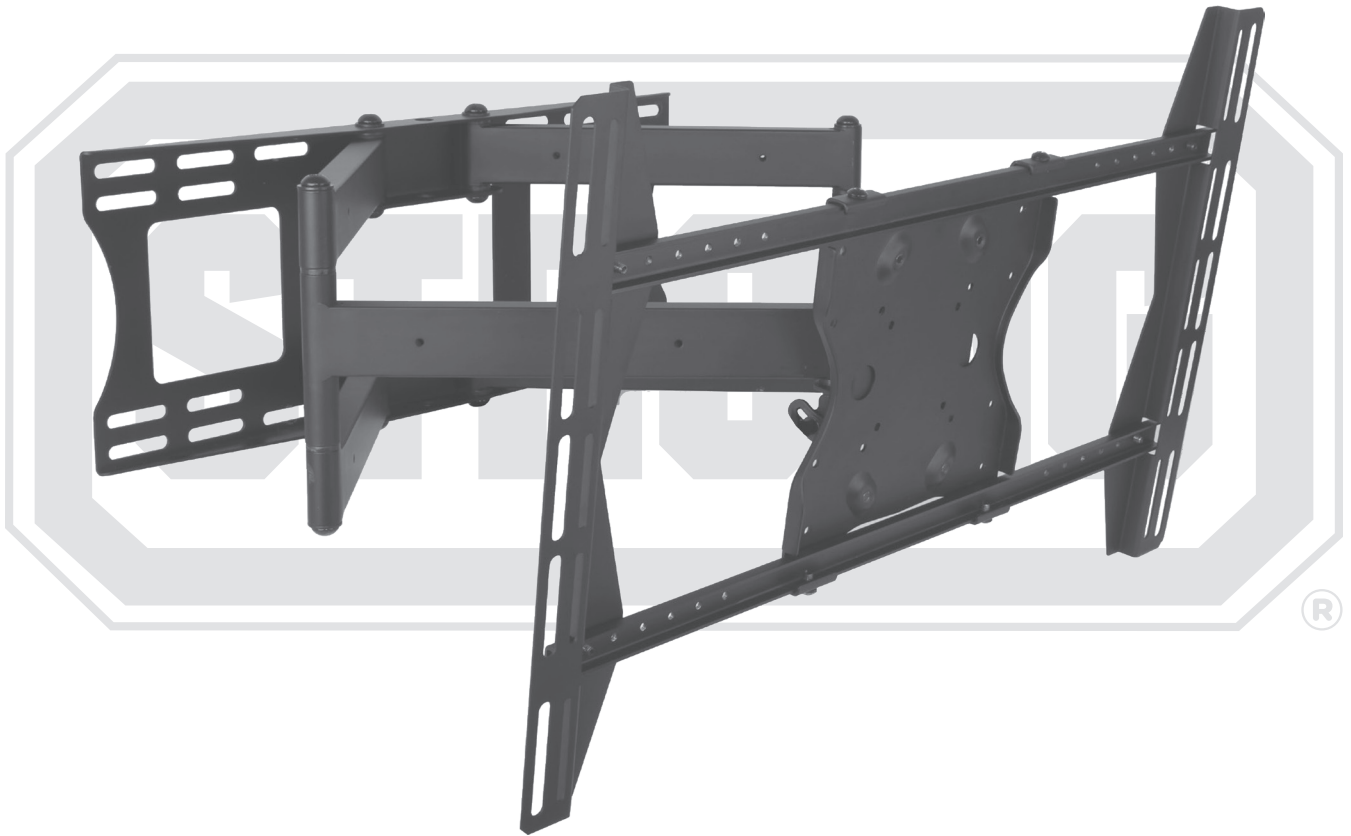




SM-CS-ART2-[L/XL]
Dual-Arm Articulating Mount
for Large Displays



Installation Guide

The maximum weight of this wall mount is 150 lbs (68 kg). Use with heavier than the maximum weight indicated may result in instability causing possible injury.

Ensure these instructions are thoroughly understood before attempting installation. If unsure of any part of the installation process, contact a professional installer for assistance.

The wall or mounting surface must be capable of supporting the combined weight of the mount and the display; otherwise the structure must be reinforced. Installer is responsible for verifying the wall/mounting surface and the anchors used can support the total load of the installation.

Safety gear and proper tools must be used. Failure to do so can result in property damage and/or serious injury.

A minimum of two people is required for this installation and it is highly recommended that this product be installed by qualified professionals.

Follow all instructions and recommendations regarding suitable locations for display installation. Consult the display equipment's documentation for information relative to its requirements.

NOTE: This mount supports display mounting from VESA 200×100 up to 600×400.

Specifications

Maximum Load: 90 lbs (41 kg)

Maximum Extension: 24-3/8"

Wire Management

Pan/Swivel Range: 180°

Tilt Range: -5° / +15°

Dacromet Coated Assembly

Mounting Hardware

Box Contents

Wall Arm Assembly (1)

Adapter Brackets (2)

Adapter Plate (1)

Adapter Bars (2)

Cable Covers (6)

Hardware Kit (2)

Template (1)

Tools Required

Power Drill

1/4" & 5/16" Drill Bits

Level

1/2" (13mm) Wrench














Hammer

Stud Finder

Phillips Screwdriver



Hardware

Image	Description	Item	Quantity
BAG 1			
	TV Mounting Bolts	(A) M4×10, M4×20 (B) M4×15, M4×30 (C) M4×40 (D) M5×15, M6×50 (E) M5×20, M8×50 (F) M5×10, M5×30 (G) M5×40 (H) M6×15 (I) M6×20 (J) M6×10, M6×30 (K) M6×40 (L) M8×10 (M) M8×15 (N) M8×20 (O) M8×30 (P) M8×40	4 of each size
	Flat Washer	(Q) M5 M8	16 8
	Nylon Spacer	(R) 16×12.5×5.5 (S) 22×17×8.5 (T) M4/M5, M6/M8	4 4 8 each
	Square Washer	(U) 36.2×2.5mm	4
	Recessed Hole Spacer	(V) Recessed Hole Spacer	4
	Spacer	(W) Spacer	4
BAG 2			
	Lag Bolt	(X) M8×65	6
	Concrete Anchor	(Y) Anchor	6
	Lag Bolt Washer	(Z) M8	6
	Phillips Head Flange Bolt	(AA) M6×12	8
	Button Head Flange Bolt	(BB) M8×12	4
	Socket Wrench	-	1
	Hex Key	-	1

Installation

Layout and Drilling

Determine general location of the display. Use a level to tape the template flat and level on the wall.

For wood walls, use a stud finder to find the nearest wall studs. Mark their location, and align the template's slots with the centers of the stud markings.

Pro Tip: Fold the template corners up to catch debris as you drill.

Caution: Before drilling, verify the concrete is at least 1-3/8" thick. Ensure to mount in a solid part of the block, 1" minimum from the side of the block. Do not drill into mortar joints.

Caution: Concrete must be 2000 psi density minimum. Lighter density concrete may not hold concrete anchor. Cinder block must meet ASTM C-90 specifications.

Caution: Use a standard electric drill on slow setting. Do not use a hammer drill to avoid breaking out the back of the hole when entering a void or cavity.

Mark the bore locations. Drill holes in marked locations:

- Use 1/4" bit for drilling into wooden studs.
- Use 5/16" bit for drilling into concrete wall.

Wall Mounting of Arm Assembly

Hammer concrete anchors (V) into wall if applicable.

Warning: If anchors are going to be applied to a plastered concrete wall, the anchor must be recessed beyond the plaster to reside fully in the concrete.

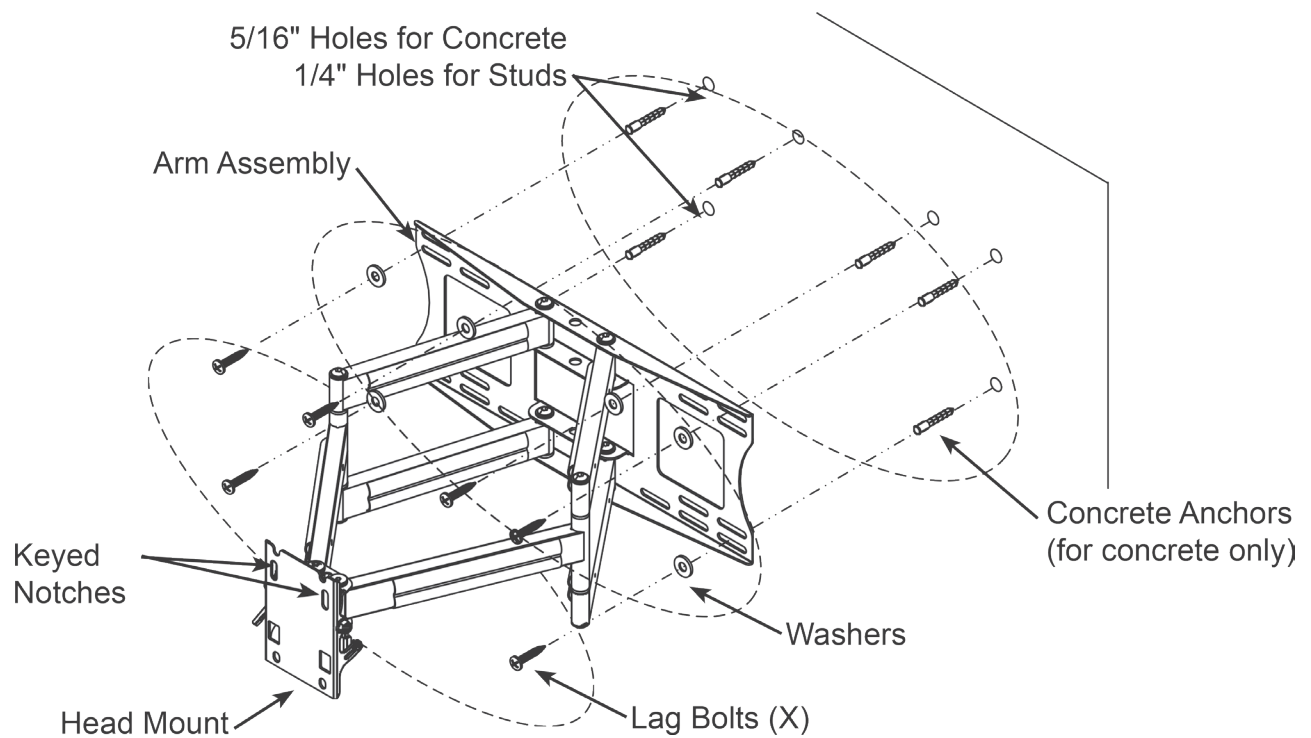
Apply washers (Z) to lag bolts (X).

Place Arm Assembly in position. Thread lag bolts with washers (X+Z) through the Arm Assembly into pilot holes / wall anchors.

Pro Tip: Orient the Arm Assembly so that its Keyed Notches side of the Head Mount are up.

Tighten bolts (X) snugly without overtightening.

Caution: Overtightening can damage the bolts and reduce their holding strength.



Assemble TV Bracket

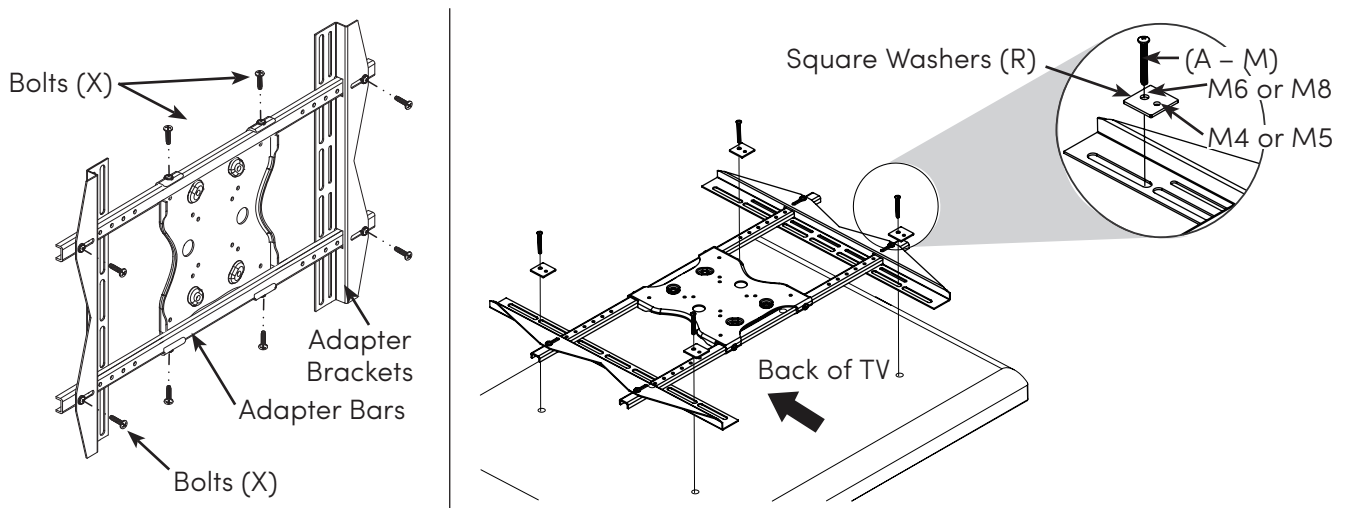
Lay the TV flat on a soft, flat, surface and locate the four VESA mounting bracket holes. Determine the VESA pattern and prepare the TV bracket and adapters accordingly.

Assemble the adapter brackets and bars on the TV adapter plate using 8 bolts (AA).

Test the TV mounting bolts (A–P) and find the diameter that fits the VESA mounting holes.

Place 4 square washers (U) each into the slots where the VESA mounting screws will be installed.

Fasten the plate using the shortest screws possible, and using the proper hole as indicated in the illustration below. Use washers and spacers (Q–W) as needed to fasten the plate securely, so that it remains parallel to the back of the TV.

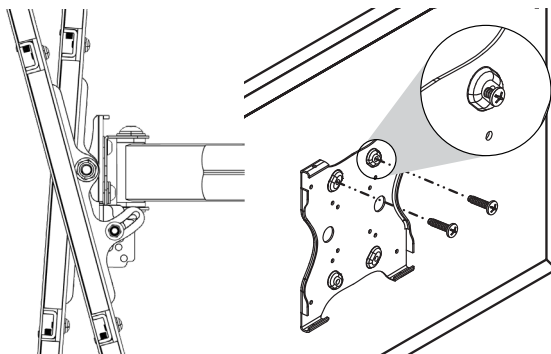


Attach TV to Arm Assembly

Caution: Only lift the TV with two persons. These instructions are the same for all TV sizes.

Pull the head of the arm assembly out from the wall and tilt the Head Mount down as much as possible. This makes it easy to mount the TV.

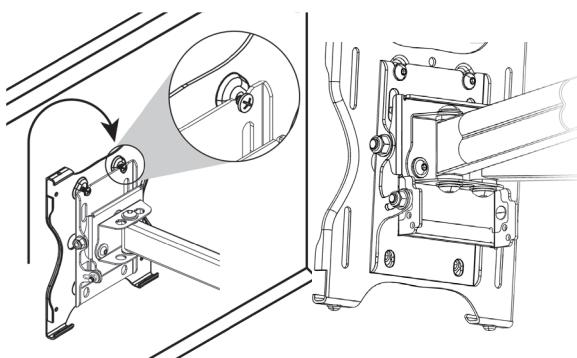
On the TV, insert two bolts (BB) into the top two holes of the TV adapter plate. Do not fully tighten these bolts; leave approximately 1/4" of exposed thread



Lift the display and hook it over the arm assembly by lowering the exposed portion of the top screws into the open key slots on top of the Head Mount.

Insert two bolts (BB) through the bottom two holes of the assembly head and thread them into the adapter plate. Do not fully tighten them yet.

Fully tighten all four bolts (BB) evenly. Tilt the Head Mount up and down while watching the back to make sure that all four bolts are fully tightened.



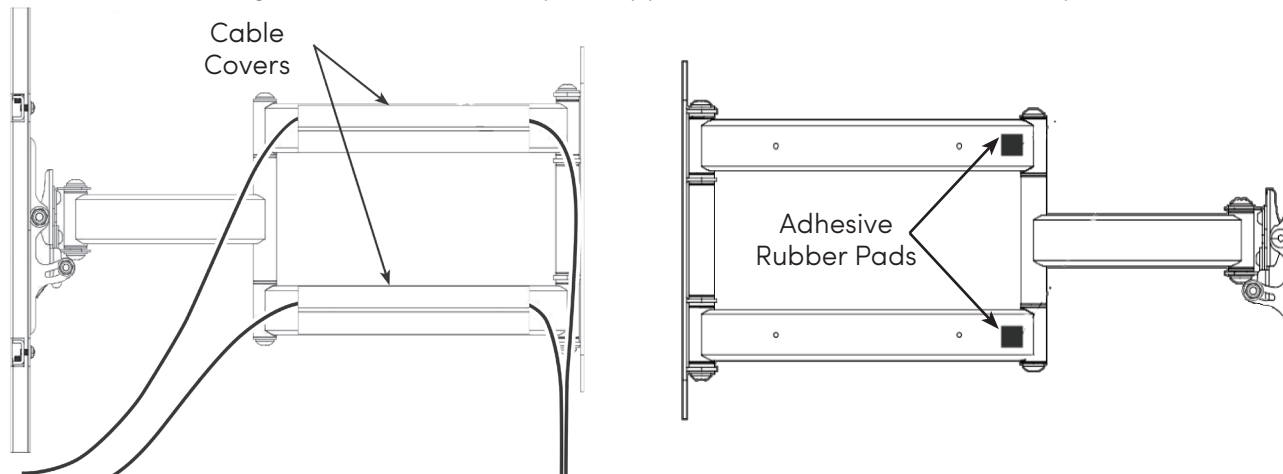
Cable Cover Attachment

Route the electrical and data cables along the arm assembly and secure with the cable covers.

Pro Tip: Ensure enough slack is provided to allow for vertical and horizontal move before attaching the Cable Covers.

Optional Adhesive Rubber Pad

The hardware pack includes adhesive rubber pads for cushioning the impact of the arm against the wall when retracting the mount. Place the pads opposite the cable covers where impact will occur.



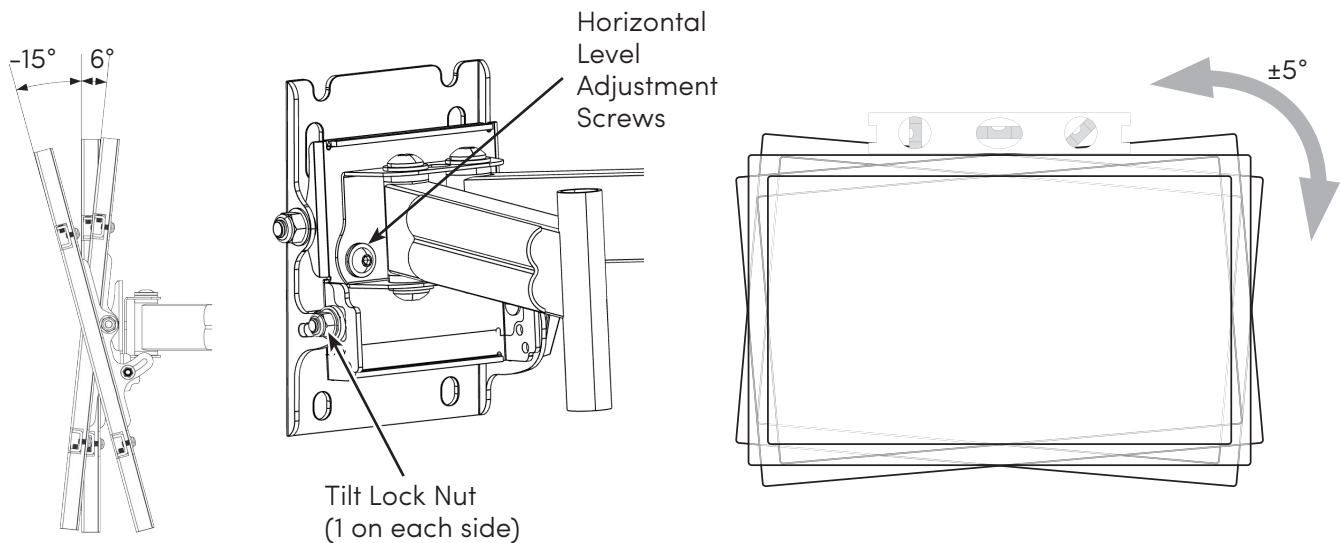
Adjustments

Tilt Adjustment

Use the socket wrench to loosen the tilt lock nuts on the head of the arm assembly enough to allow controlled adjustment. Set the desired tilt, then re-tighten the tilt lock nuts.

Horizontal Adjustment

Slightly loosen the two screws on the head of the arm assembly using the provided Hex key (Fig.11). Then, firmly hold the display by two opposite corners and gently turn it into the desired position (Fig.12). When level, re-tighten the screws.



Technical Support

For chat and telephone, visit <https://tech.control4.com/s/contactsupport> • Email: TechSupport@adiglobal.com
Visit tech.control4.com/technician for discussions, instructional videos, news, and more.

Warranty and Legal Notices

Find details of the product's Limited Warranty and other resources such as regulatory notices and patent and safety information, at snapone.com/legal or request a paper copy from Customer Service at 866.424.4489.

Copyright ©2026, ADI | Snap One. All rights reserved. ADI | Snap One and its respective logos are registered trademarks or trademarks of ADI | Snap One in the United States and/or other countries. Control4 and SunBriteTV are also registered trademarks or trademarks of ADI | Snap One. Other names and brands may be claimed as the property of their respective owners. ADI | Snap One makes no claim that the information contained herein covers all installation scenarios and contingencies, or product use risks. Information within this specification subject to change without notice.

260402-0925

Part # 200-01168-B