



Triad Stratus Series Satellite Speakers

TS-STRATUS-6-BRN, TS-STRATUS-6-BLK, TS-STRATUS-6-WHT, TS-STRATUS-6-C, TS-STRATUS-8-BRN, TS-STRATUS-8-BLK, TS-STRATUS-8-WHT, TS-STRATUS-8-C, TS-STRATUS-10-BRN, TS-STRATUS-10-BLK, TS-STRATUS-10-WHT, TS-STRATUS-10-C

Bring the luxury of cinema-quality sound to the great outdoors with the Triad Stratus Series. Designed to elevate outdoor audio experiences, this premium line of satellite speakers and subwoofers delivers best-in-class performance, easy installation, and long-term durability. Whether you're designing a sprawling backyard entertainment zone or a commercial landscape, Triad Stratus offers weather-resistant solutions and acoustic excellence. Pair with Triad Hybrid Amplifiers for a complete, high-performance outdoor audio solution that transforms any space into an immersive soundscape.



Cinematic Sound, Now Outdoors

Bring the Triad cinematic experience to the backyard and deliver immersive, high-fidelity audio to your customers' outdoor spaces with speakers designed to match Triad's legendary indoor experience.



Complete Outdoor Audio System

Create a cohesive, high-performance outdoor entertainment experience with Triad's full suite of landscape audio products, including satellite speakers, burial subwoofers, and hybrid amplifiers.

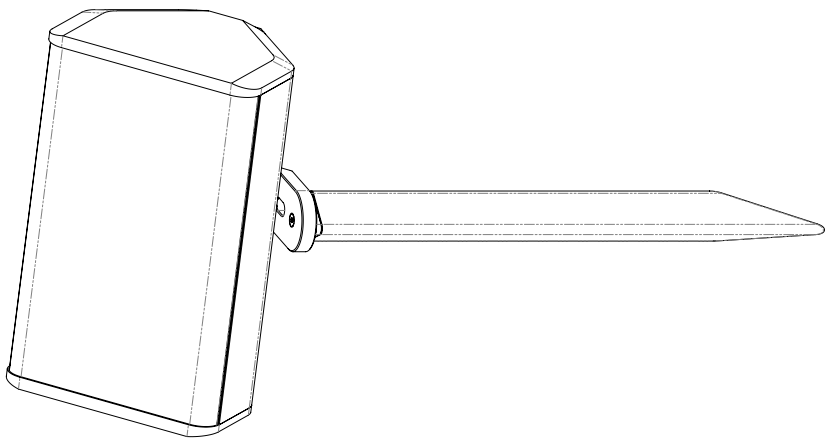
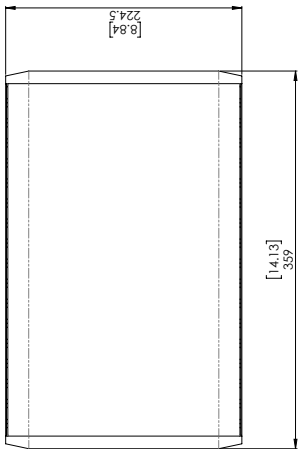
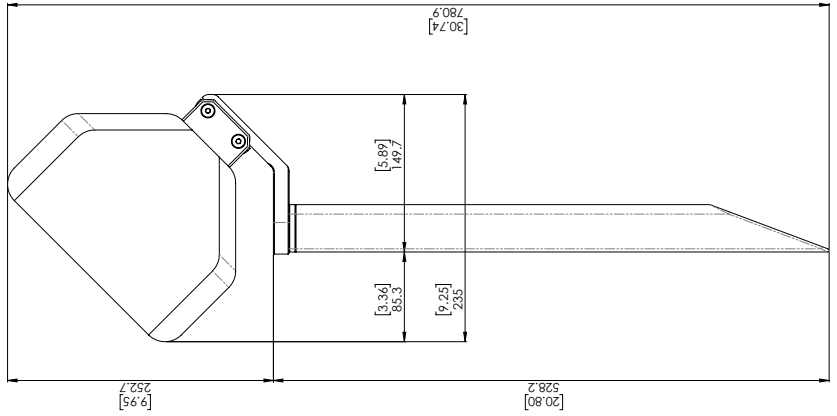
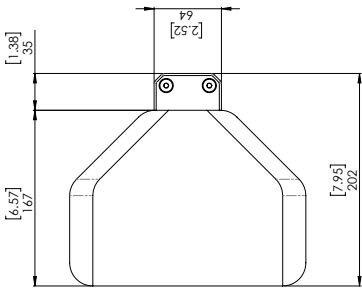
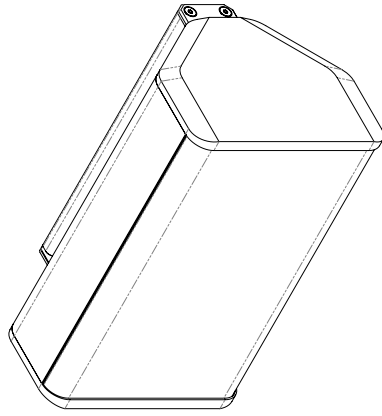
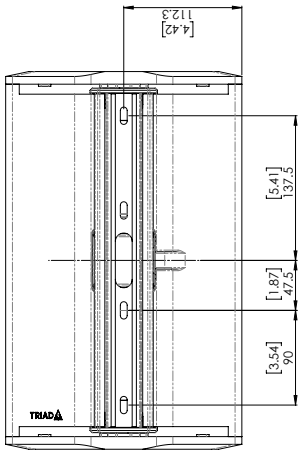


70V/8Ω Tap Settings for Flexible Audio Systems

With selectable 50/100W 70V tap settings for the 6" speakers and 60/120W 70V tap settings for the 8"/10" speakers and 8Ω bypass, you get maximum scalability of your landscape system. 8Ω systems deliver maximum performance for smaller-scale installations, while wiring in 70V gives you increased scalability and allows for long wire runs or large-scale installations.

General	Unit	TS-STRATUS-6	TS-STRATUS-8	TS-STRATUS-10
U of M (Sold as)		Each	Each	Each
Speaker Connector Type		Phoenix Connector	Phoenix Connector	Phoenix Connector
Nominal Impedance	Ω	8	8	8
Minimum Impedance on 8-ohm Tap	Ω	6.37	6.00	6.05
70V & 100V Tap Ratings	W	50/100 & 100	60/120 & 120	60/120 & 120
Anechoic Frequency Response +/-3dB	Hz	86Hz-20KHz	75Hz-20KHz	78Hz-20KHz
Crossover Frequency	Hz	1800, 2700	1100, 2935	1050, 3260
Crossover Type / Slope	dB/Oct.	Linkwitz-Riley / 12 dB	Linkwitz-Riley / 12 dB	Linkwitz-Riley / 12 dB
Sensitivity (dB) @ 2.83V/1m	dB	87	89	91
Max RMS SPL (AES75/1m)	dBZ	104.6	105.2	109.5
Peak SPL (AES75/1m/18dB Crest Factor)	dBZ	122.6	123.2	127.5
Power Handling (RMS CTA-426B)	W	200	225	250
Power Handling Peak	W	400	450	500
Recommended Amplifier Power	W	50-225	50-250	50-300
Tweeter Size	Inch	1" Tweeter 2-1/4" Midrange	1" Tweeter 3" Midrange	1" Tweeter 3" Midrange
Tweeter Material		Aluminum Aluminum"	Aluminum Aluminum"	Aluminum Aluminum"
Woofer Size	Inch	6"	8"	10"
Woofer Cone Material		Carbonfiber	Carbonfiber	Carbonfiber
Woofer Surround Material		Rubber	Rubber	Rubber
Woofer Magnet Type		Ferrite	Ferrite	Ferrite
Woofer Voice Coil Diameter	mm	32	32	38
Woofer Excursion (Peak to Peak)	mm	12	13	20
Enclosure Type		Sealed	Sealed	Sealed
Enclosure IP Rating		IPX6 & IPX7	IPX6 & IPX7	IPX6 & IPX7
Dimensions (HxWxD) (With Grille)	Inch	14 1/2" x 8 7/8" x 6 1/2" w/ Bracket 8"D	16 5/8" x 10 1/4" x 7 3/4" w/ Bracket 9"D	19 1/4" x 12" x 9" w/Bracket 10 1/4"D
	mm	369 x 226 x 165 w/Bracket 203	423 x 261 x 197 w/Bracket 229	489 x 305 x 229 w/Bracket 261
Weight (with Grille)	lbs	16.3	21.3	30.4
	Kg	7.40	9.70	13.80

Gift Box Specifications	Unit	TS-STRATUS-6	TS-STRATUS-8	TS-STRATUS-10
U of M (Sold as)		Each	Each	Each
Gift Box Dimensions (LxWxD)	Inch	19.72" x 12.36" x 11.57"	22.09" x 13.82" x 12.72"	24.69" x 15.47" x 13.86"
	mm	50.1 x 31.4 x 29.4	56.1 x 35.1 x 32.3	62.7 x 39.3 x 35.2
Shipping Weight	lbs	18.1	23.2	33.7
	Kg	8.20	10.50	15.30
Master Pack Specifications	Unit	TS-STRATUS-6	TS-STRATUS-8	TS-STRATUS-10
Qty		4	4	2
Gift Box Dimensions (LxWxD)	Inch	20.43" x 25.71" x 24.57"	22.80" x 28.62" x 26.85"	25.39" x 31.93" x 14.92"
	mm	51.9 x 65.3 x 62.4	57.9 x 72.7 x 68.2	64.5 x 81.1 x 37.9
Shipping Weight	lbs	79.6	105.0	73.0
	Kg	36.10	47.60	33.10

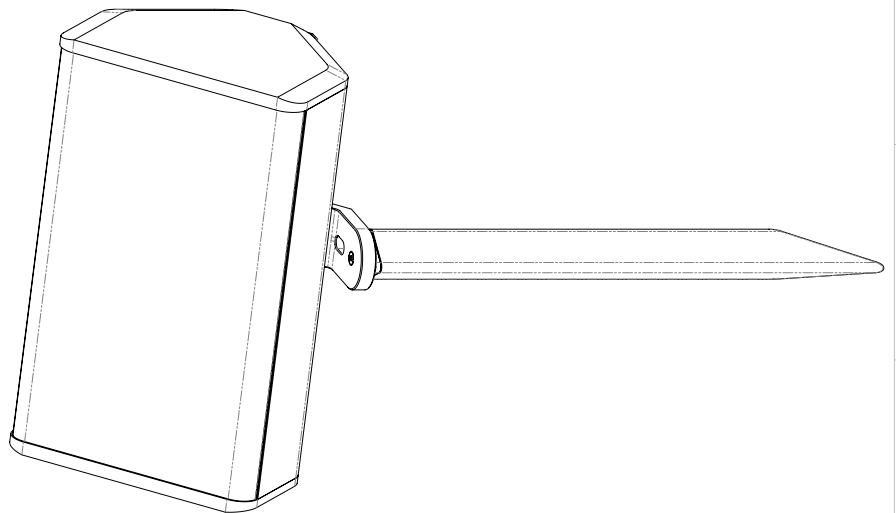
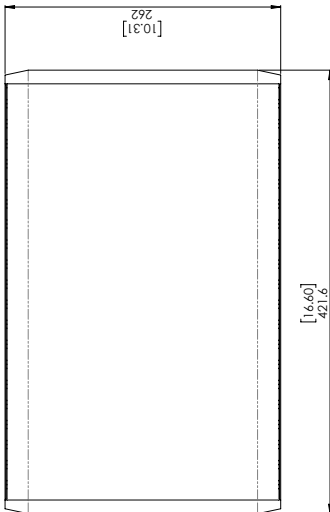
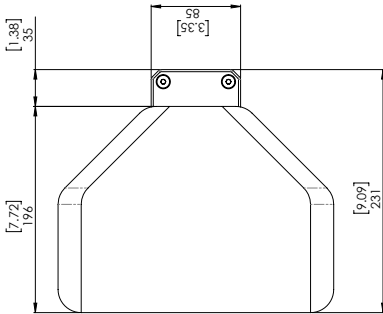
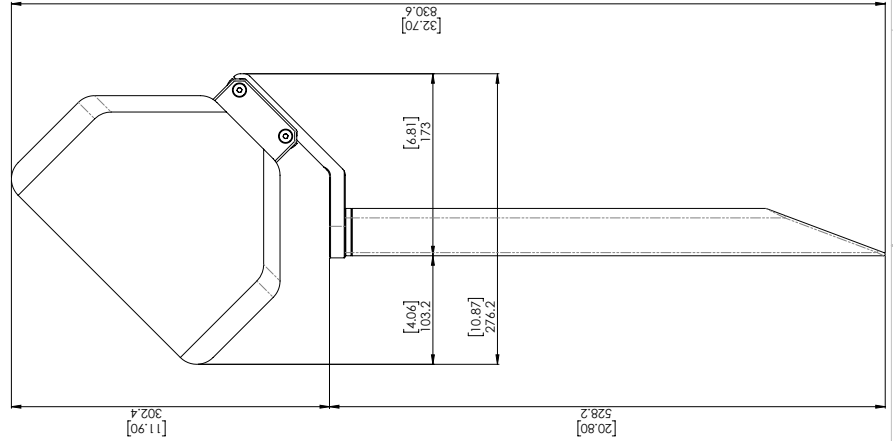
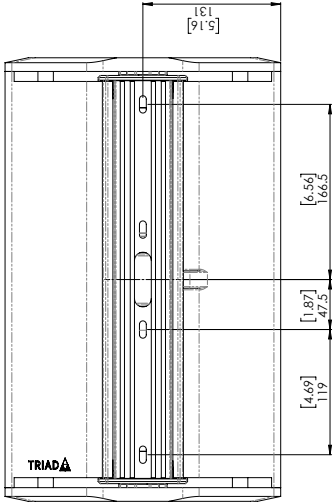
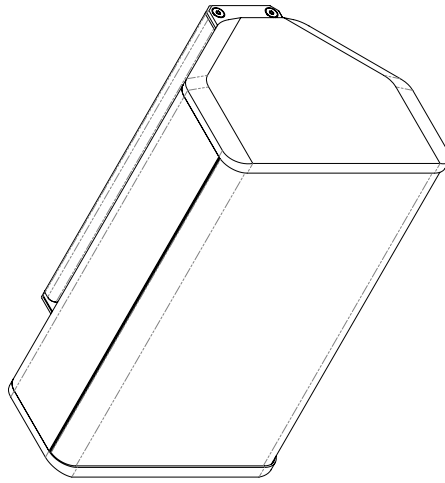


REV	DATE	BY	CHKD	DESCRIPTION
1				TRAD / TRISA & SHAE

TRAD SYSTEM - SHIELD 01 (C301)
 1/1

GENERAL INFORMATION		MATERIALS		FINISHES		DIMENSIONS		WEIGHTS	
DATE	1.14.18	ITEM NO.	18000	DESCRIPTION	TRIALD / FIBER - GROUND SPACE	UNIT	EA	WEIGHT	0.07
DESIGNED BY	TRIALD	ENGINEERED BY	TRIALD	MANUFACTURED BY	TRIALD	ASSEMBLY	TRIALD	FINISH	TRIALD
PROJECT NO.		PROJECT NAME		PROJECT LOCATION		PROJECT STATUS		PROJECT PHASE	
REV		DESCRIPTION		DATE		BY		CHKD	
1		TRIALD / FIBER - GROUND SPACE							

TRIALD
 18000
 TRIALD / FIBER - GROUND SPACE
 1.14.18





Triad Stratus Series Burial Subwoofers

TS-STRATUS-S12-8, TS-STRATUS-S15-4

Bring the luxury of cinema-quality sound to the great outdoors with the Triad Stratus Series. Designed to elevate outdoor audio experiences, this premium line of satellite speakers and subwoofers delivers best-in-class performance, easy installation, and long-term durability. Whether you're designing a sprawling backyard entertainment zone or a commercial landscape, Triad Stratus offers weather-resistant solutions and acoustic excellence. Pair with Triad Hybrid Amplifiers for a complete, high-performance outdoor audio solution that transforms any space into an immersive soundscape.



Cinematic Sound, Now Outdoors

Bring the Triad cinematic experience to the backyard and deliver immersive, high-fidelity audio to your customers' outdoor spaces with burial subwoofers designed to match Triad's legendary indoor experience.



Complete Outdoor Audio System

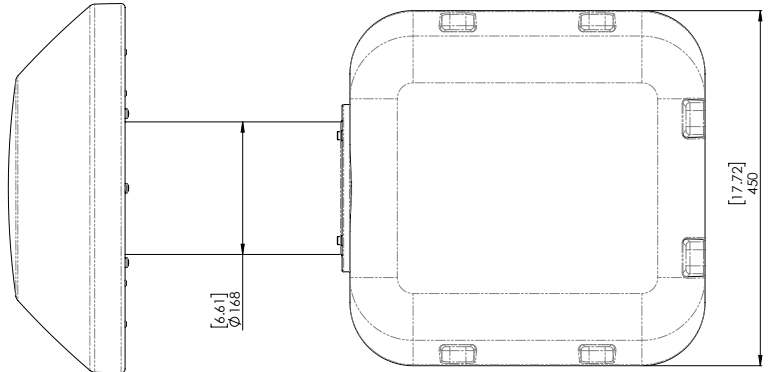
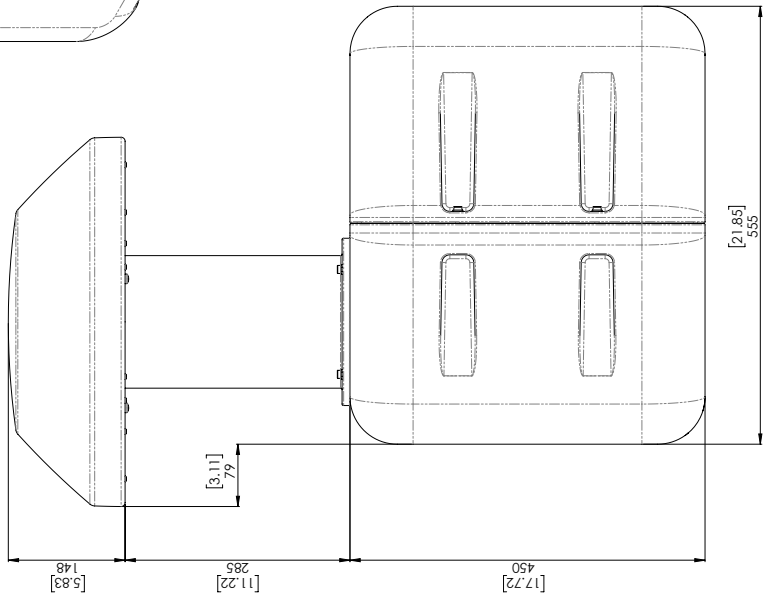
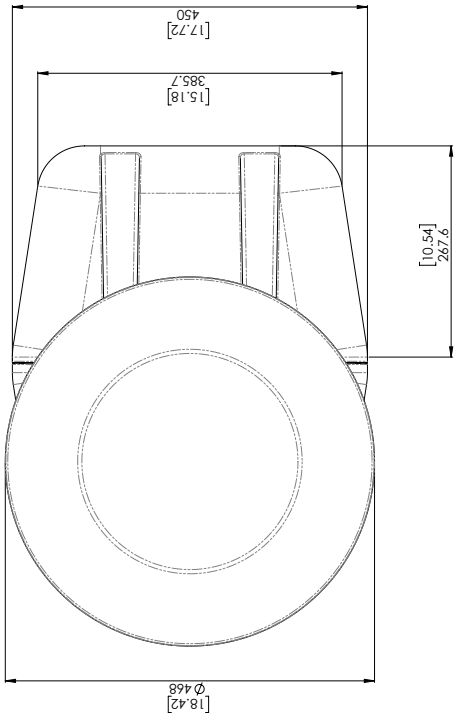
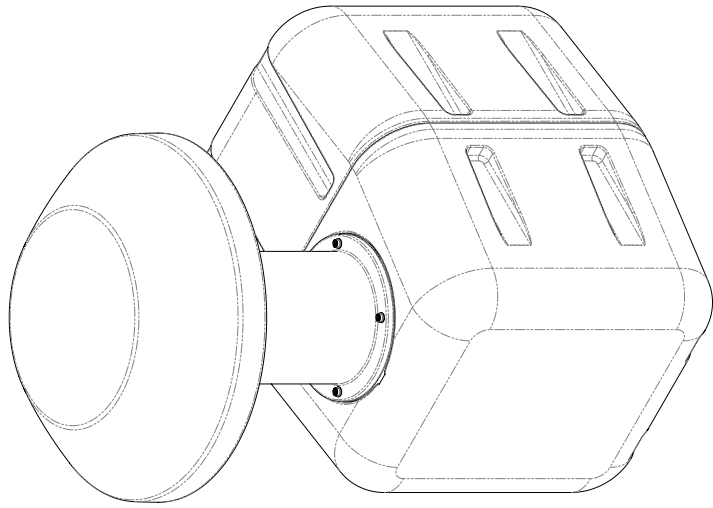
Create a cohesive, high-performance outdoor entertainment experience with Triad's full suite of landscape audio products, including satellite speakers, burial subwoofers, and hybrid amplifiers.



Waterproofing & UV Resistance for Reliable Outdoor Performance

The rotomolded enclosure, built with waterproofing and UV resistance in mind, endure rain, sun, and snow with fade-resistant finishes, which is imperative when buried underground.

General	Unit	TS-STRATUS-S12-8	TS-STRATUS-S15-4
U of M (Sold as)		Each	Each
Connector Type		Speaker Wire pig tail	Speaker Wire pig tail
Nominal Impedance	Ohm	8	4
Min Impedance (in sealed box)	Ohm	6.6	4.8
Anechoic Frequency Response +/-3dB (W/Triad tuning)*	Hz	23-150	28-150
-6dB LF (W/ Triad tuning)	Hz	20	24
Sensitivity 2.83V@1m	dB	86	90
Max SPL (AES75 @ 1m)	dB	114.0	117.0
Peak SPL (AES75/1m/10dB Crest Factor)	dB	124.0	127.0
Power Handling (RMS)	W	1000	1300
Peak Power Handling	W	2000	2600
Woofers Count		1	1
Woofers Size		12"	15"
Woofers Cone Material		Honeycomb Fiberglass Nomex Cone	Honeycomb Fiberglass Nomex Cone
Woofers Magnet Type		Ferrite	Ferrite
Voice Coil Diameter	mm	81.1	106.36
Woofers Excursion (Peak to Peak)	mm	23	28
Enclosure Type		Bandpass	Bandpass
Enclosure IP Rating		IPX6 & IPX7	IPX6 & IPX7
Dimensions (HxLxW)	Inch	34 3/8" x 25 1/2" x 15 1/4"	34 13/16" x 24 1/2" x 18"
	mm	834 x 648 x 388	885 x 648 x 458
Weight	lbs	67	91
	Kg	30.4	41.3
Gift Box Specifications (Fully packaged with product)		TS-STRATUS-S12-8	TS-STRATUS-S15-4
U of M (Sold as)		Each	Each
Gift Box Dimensions	Inch	34.76" x 31.38" x 20.00"	34.96" x 34.21" x 22.48"
	mm	88.3 x 79.7 x 50.8	88.8 x 86.9 x 57.1
Shipping Weight	lbs	84.9	105.4
	Kg	38.5	47.8



REV	DATE	BY	CHKD	APP'D	DESCRIPTION
1					TRIPAD / TREX BSUB15
2					TRIPAD / TREX BSUB15 (CEDA)

TRIAD COMPONENTS
 INTERNATIONAL INC.
 11000 W. 112th Ave.
 Golden, CO 80401
 TEL: 303.440.1100
 FAX: 303.440.1101
 WWW.TRIADCOMPONENTS.COM



Triad Stratus Series Stake Mounts

TS-STRATUS-STK-SM, TS-STRATUS-STK-LG

The Triad Stratus Series Stake Mount transforms the Stratus Series Speakers into landscape-integrated audio solutions. The stakes are made out of extruded aluminum to ensure performance and durability for years to come. The small and large options support the speaker sizes of the Triad Status Series.



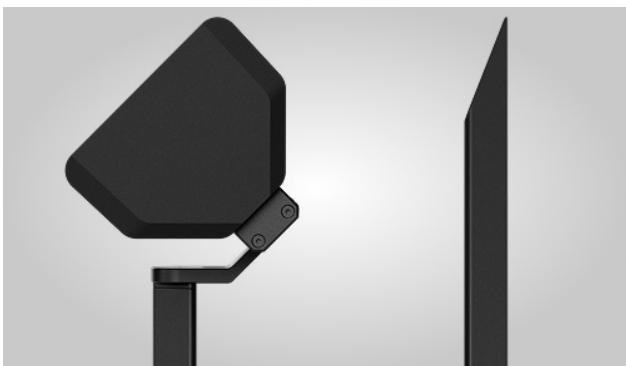
Pair with Triad Status Speakers

The Triad Stratus Series Stake Mount transforms the Stratus Series Speakers into landscape-integrated audio solutions. The stakes are made out of extruded aluminum to ensure performance and durability for years to come. The small and large options support the speaker sizes of the Triad Status Series.



Adapt to Landscape Installations

The stake mounts enable seamless landscape integration of the Triad Stratus Series Speakers, transforming them into discreet, high-performance outdoor audio solutions.



Extruded Aluminum Stakes for Proven Reliability

The stakes are made of extruded aluminum, which is highly resistant to corrosion and environmental wear, making it ideal for long-term outdoor use. The strength and dimensional stability ensure reliable structural performance and durability in varying weather conditions.

Individual Product Specifications		TS-STRATUS-STK-SM	TS-STRATUS-STK-LG
U of M (Sold as)		Each	Each
Dimensions (HxLxW)	Inch	20" x 2" x 2"	20" x 2" x 2"
	mm	508 x 50.8 x 50.8	508 x 50.8 x 50.8
Weight	lbs	2	2.19
	Kg	0.91	1
Works With		TS-STRATUS-6	TS-STRATUS-8 / TS-STRATUS-10
Gift Box Specifications (Fully packaged with product)		TS-STRATUS-STK-SM	TS-STRATUS-STK-LG
U of M (Sold as)		Each	Each
Gift Box Dimensions	Inch	24.49" x 2.68" x 5.04"	24.49" x 2.68" x 5.04"
	mm	617 x 680 x 1280	617 x 680 x 1280
Shipping Weight	lbs	2.89	3
	Kg	1.31	1.36