

PIR MOTION SENSOR 319.5MHZ, PET IMMUNITY USER MANUAL



0E-PIR319V2

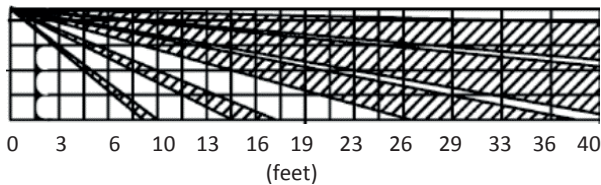
ENGLISH

FRANÇAIS

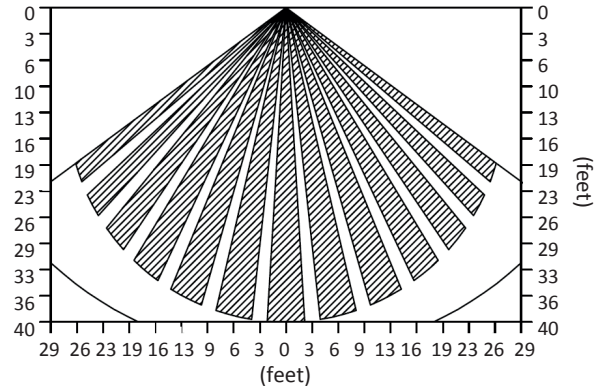
Specifications

Frequency:	319.5MHz
Operating Temperature:	32° to 120°F (0° to 49°C)
Operating Humidity:	5-95% RH non-condensing
Battery:	One CR123A Panasonic Lithium 3VDC
Battery Life:	5 Years
Compatibility:	Interlogix, GE and Qolsys receivers
Pet Immunity:	Up to 85 lbs. (38.6kg)
Supervisory Interval:	Approximately 60 minutes
Coverage Area:	40' x 40' (12.2 x 12.2m), 90° angle
Light Immunity:	2000 Lux
Coverage Pattern:	7.5' (2.3m)

Side View:



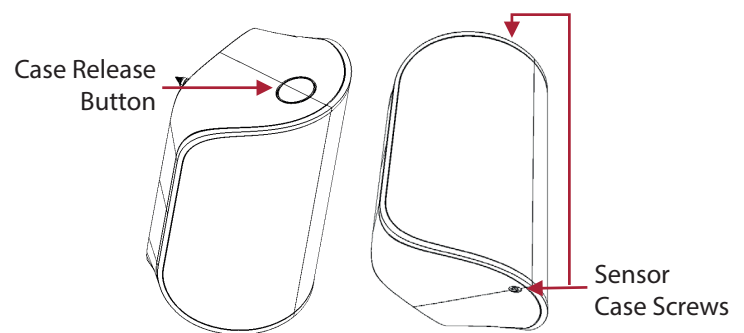
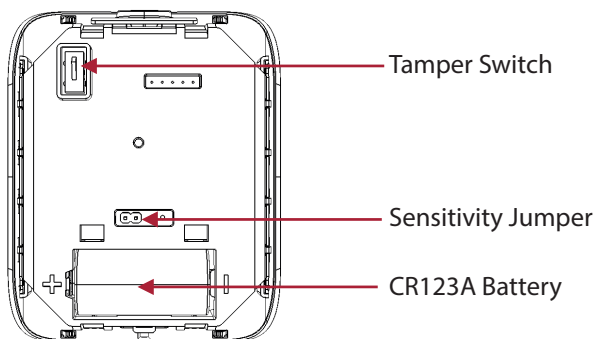
Top View:



Package Contents

1 x Sensor	1 x Sensitivity Jumper
4 x Screws and Wall Anchors	1 x CR123A battery (installed)
2 x Sensor Case Screws	1 x Back Mounting 2-Sided Adhesive Tape
1 x Manual	2 x Side Mounting 2-Sided Adhesive Tape

Component Identification



Enrolling

To enroll the sensor, set your panel into program mode. Then go to the Learn Sensors menu. Refer to your specific alarm panel instruction manual for details on these menus. To trip the sensor:

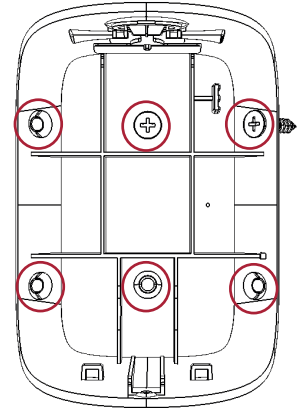
1. Remove the PIR from its back cover mounting plate.
2. Pull the Battery Tab or Remove and reinstall the CR123A battery to place the sensor in Walk Test Mode. The red LED will begin to flash for 45 seconds.
 - a. When the LED stops flashing, the sensor can be triggered by waving your hand in front of the motion sensor.
 - b. The sensor will transmit every time motion is detected. Trigger the motion sensor as many times as necessary until the panel recognizes the sensor's serial number.
3. Select the appropriate sensor group and number in your panel.
4. Exit the panel's programming mode.

Return the PIR to its mounting plate.

Mounting

Mount the motion sensor at 7.5 feet (2.3 meters) above the floor. Press the case release button to separate the front and back sensor case. The back case gives access to both the flush mount and corner mount screw knockouts. Remove the appropriate knockouts and use the included screws to mount in the desired mounting location. It is recommended to ensure there is a tight seal around the knockouts to prevent bugs from entering the sensor and causing false alarms. Replace the front sensor cover to snap shut and screw in the sensor case screws on the top and bottom of the back sensor case.

The 0E-PIR319V2 is intended to be installed in accordance with the Standard for Installation and Classification of Residential Burglar Alarm Systems, UL1641 and UL 691 Classification of Burglar and Holdup Alarm Systems, UL 681, and is it intended for residential use only.



Sensitivity Jumper Settings

For standard sensitivity motion detection with pet immunity, leave the jumper in the default setting (on). Remove the jumper if increased sensitivity to movement is desired.

Walk Test Mode

Walk test mode can be used to test the motion sensor detection coverage area. To enter walk test mode, remove the battery for 10 seconds and re-insert the battery. The red LED will begin to flash, indicating that the motion sensor is warming up. After 45 seconds, the LED will stop flashing which indicates the motion sensor is ready to detect motion. The LED will illuminate each time motion is detected. Once the LED goes out, the sensor is ready to detect motion again. Walk test mode ends after 15 minutes. It is recommended that the 0E-PIR319V2 PIR is tested monthly to ensure proper function.

Operation

During normal operation, the LED will not turn on even if motion is detected. This is done to maximize battery life. Furthermore, when motion is detected and a signal is transmitted to the panel, the sensor will not transmit again for a period of three minutes.

Maintenance - Replacing the Battery

When the battery is low, a signal will be sent to the control panel.

To insert or replace the battery:

- Remove the front cover to expose the battery.
- Remove the backplate using a bottom-to-top lifting motion.
- Remove the CR123A lithium battery. Note the correct orientation of the battery as shown on the sensor cover plate.

Always match the plus (+) sign on the battery with the flat side of the compartment and the minus (-) sign on the battery with the spring side.

- Replace the front cover.

WARNING: Failure to follow these warnings and instructions can lead to heat generation, rupture, leakage, explosion, fire, or other injury, or damage. Do not insert the battery into the compartment in the wrong direction. Always replace the battery with the same or equivalent type (see Specifications on page 1). Never recharge or disassemble the battery. Never place the battery in fire or water. Always keep batteries away from small children. If batteries are swallowed, promptly see a doctor.

- Always dispose and/or recycle used batteries in accordance with the hazardous waste recovery and recycling regulations for your location. Your city, state, or country may also require you to comply with additional handling, recycling, and disposal requirements.

Environmental and Other Useful Information

- The 0E-PIR319V2 PIR is an indoor use residential product only.
- While the PIR is a highly reliable intrusion detection device, it does not guarantee against burglary. Any intrusion device is subject to a "failure to warn" for a variety of reasons. Consider the following when installing and setting up the PIR:
 - This PIR has built-in protection to keep bugs from getting into the sensor area and causing false alarms. Note that this protection does not prevent insects from crawling across the lens of the PIR, which could trigger the PIR.
 - Infrared energy can be reflected off any glossy surface such as mirrors, windows, floors or countertops with glossy finish and slick-finished concrete. Some surfaces reflect less than others (e.g. the PIR can see a change in infrared energy off of reflective surfaces even if the heat or cold source is not within the PIR detection pattern).
 - Windows reflect infrared energy. They also allow sunlight or light from other sources (e.g., cars) to pass through to the PIR. The PIR can detect these changes in infrared energy. For example, if sunlight passing through a window shines onto a hardwood floor and the change in infrared energy is quick enough, the PIR can trigger an alarm. The same applies if the PIR area includes a window, even though the pattern of protection cannot "see" through glass. Lights from a passing car can also pass through the window at night and shine directly into the PIR's lens.
 - Heating and air conditioning ducts are also important because if they blow air onto an object within the field of the PIR's view, the temperature of that object could change quickly enough for the PIR to "see" a change in infrared energy. PIRs cannot see air current, only the change in temperature of a physical object.
 - The PIR senses change in temperature. However, as the ambient temperature of the protected area approaches the temperature range of 95° to 120° F, the detection performance of the PIR decreases.
 - Ensure that the area you wish the PIR to cover is free of obstructions (for example, curtains, screens, plants and so on) that may block the pattern of coverage.
 - Anything that can sway or move due to air current can cause a change in infrared energy within the field of view. Drafts from doors or windows can cause this to happen. Plants, balloons, curtains and hanging baskets should never be left in the PIR's field of view.
 - Do not mount the PIR on a surface that allows for any vibration. Vibrations not only cause the PIR to move a little, but they also cause the field of view in a room to move with respect to the PIR. A little vibration can cause havoc with the PIR's field of view, thus the PIR may see a change in energy and trigger the alarm.
 - An installation often requires that the PIR is aimed at the door. The PIR may detect door movement before the door contact can initiate an entry delay, causing the alarm to trigger. If you install the PIR facing a door, then while programming the PIR, choose an appropriate sensor/zone type.
 - The PIR ONLY detects intrusion within the pattern of coverage.
 - The PIR does not provide volumetric area protection.
 - The PIR creates multiple beams of protection. Intrusion can only be detected in unobstructed areas covered by those beams.
 - The PIR cannot detect motion or intrusion that occurs behind walls, ceilings, floors, closed doors, partitions, glass doors or windows.
 - Tampering with, masking, painting or spraying of any material on the PIR lens or any part of the optical system can impair detection ability.
 - The PIR, like other electrical devices, is subject to component failure. Even though the PIR is designed to last as long as 10 years, the electronic components are subject to failure.

FCC Compliance Statement

This device complies with part 15 of the FCC Rules. Operation is subject to the following two conditions: (1) This device may not cause harmful interference, and (2) this device must accept any interference received, including interference that may cause undesired operation.

This equipment has been tested and found to comply with the limits for Class B digital devices, pursuant to Part 15 of the FCC Rules. These limits are designed to provide reasonable protection against harmful interference in a residential installation.

This equipment generates uses and can radiate radio frequency energy and, if not installed and used in accordance with the instruction manual, may cause harmful interference to radio communications. However, there is no guarantee that interference will not occur in a particular installation.

If this equipment does cause harmful interference to radio or television reception, which can be determined by turning the equipment off and on, the user is encouraged to try to correct the interference by one or more of the following measures:

- Re-orient or relocate the receiving antenna
- Increase the separation between the equipment and receiver
- Connect the equipment to an outlet on a different circuit from the receiver
- Consult the dealer or an experienced radio/TV contractor for help.

Warning: Changes or modifications not expressly approved by ADI PRO could void the user's authority to operate the equipment.

This device complies with Industry Canada licence-exempt RSS standard(s). Operation is subject to the following two conditions: (1) this device may not cause interference, and (2) this device must accept any interference, including interference that may cause undesired operation of the device.

Cet appareil est conforme la norme d'Industrie Canada exempts de licence RSS. Son fonctionnement est soumis aux deux conditions suivantes: (1) c'et appareil ne peut pas provoquer d'interférences, et (2) c'et appareil doit accepter toute interference, y compris les interferences qui peuvent causer un mauvais fonctionnement de la dispositif.

FCC ID: XQC-WST741 IC: 9863B-WST741

1. Limited Warranty

a. General

Subject to the terms and conditions of this Limited Warranty, from the date of sale through the period of time for product categories specified in Section 1(b), ADI warrants its ADI PRO products to be free from defects in materials and workmanship under normal use and service, normal wear and tear excepted. Except as required by law, this Limited Warranty is only made to Buyer and may not be transferred to any third party.

ADI shall have no obligation under this Limited Warranty or otherwise if:

- (i) The product is improperly installed, applied or maintained;
- (ii) The product is installed outside of stated operating parameters, altered, or improperly services or repaired;
- (iii) Damage is caused by outside natural occurrences, such as lightning, power surges, fire, floods, acts of nature, or the like.
- (iv) Defects resulting from unauthorized modification, misuse, vandalism, or other causes unrelated to defective materials or workmanship, or failures related to batteries of any type used in connection with the products sold hereunder.

ADI only warrants those products branded as ADI PRO products and sold by ADI. Any other products branded by third parties are warranted by the third-party manufacturer for a period as defined by the third party manufacturer, and ADI assigns to Buyer those warranties and only those warranties extended by such third party manufacturers or vendors for non-ADI branded products. ADI does not itself warrant any non-ADI branded product and sells only on an as is basis in accordance with ADI's terms and conditions of sale.

b. Specific Warranties for product categories are as follows:

Product Categories	Warranty Period
Wireless Sensors, PIRs, Pendants	2 years

2. EXCLUSION OF WARRANTIES, LIMITATION OF LIABILITY

THERE ARE NO WARRANTIES OR CONDITIONS, EXPRESS OR IMPLIED, OF MERCHANTABILITY, OR FITNESS FOR A PARTICULAR PURPOSE OR OTHERWISE, WHICH EXTEND BEYOND THE DESCRIPTION ON THE FACE HEREOF. TO THE FULLEST EXTENT PERMITTED BY LAW, IN NO CASE SHALL ADI BE LIABLE TO ANYONE FOR ANY (I) CONSEQUENTIAL, INCIDENTAL, INDIRECT, SPECIAL, OR PUNITIVE DAMAGES ARISING OUT OF OR RELATING IN ANY WAY TO THE PRODUCT AND/OR FOR BREACH OF THIS OR ANY OTHER WARRANTY OR CONDITION, EXPRESS OR IMPLIED, OR UPON ANY OTHER BASIS OF LIABILITY WHATSOEVER, EVEN IF THE LOSS OR DAMAGE IS CAUSED BY ADI'S OWN NEGLIGENCE OR FAULT AND EVEN IF ADI HAS BEEN ADVISED OF THE POSSIBILITY OF SUCH LOSSES OR DAMAGES. Any product description (whether in writing or made orally by ADI or ADI's agents), specifications, samples, models, bulletin, drawings, diagrams, engineering sheets, or similar materials used in connection with the Buyer's order are for the sole purpose of identifying ADI's products and shall not be construed as an express warranty or condition. Any suggestions by ADI or ADI's agents regarding use, applications or suitability of the products shall not be construed as an express warranty or condition unless confirmed to be such in writing by ADI. ADI does not represent that the products it sells may not be compromised or circumvented; that the products will prevent any personal injury or property loss by burglary, robbery, fire or otherwise, or that the products will in all cases provide adequate warning or protection. Buyer understands and will cause its customer to understand that a properly installed and maintained product is not insurance or guarantee that such will not cause or lead to personal injury or property loss. CONSEQUENTLY ADI SHALL HAVE NO LIABILITY FOR ANY PERSONAL INJURY, PROPERTY DAMAGE OR OTHER LOSS BASED ON ANY CLAIM AT ALL INCLUDING A CLAIM THAT THE PRODUCT FAILED TO GIVE WARNING. However, if ADI is held liable whether directly or indirectly for any loss or damage with respect to the products it sells, regardless of cause or origin, its maximum liability shall not in any case exceed the purchase price of the product, which shall be fixed as liquidated damages and not as a penalty and shall be the complete and exclusive remedy against ADI.

3. Limitation on Liability to Buyer's Customers.

Buyer agrees to limit liability to its customers to the fullest extent permitted by law. Buyer acknowledges that ADI shall only be deemed to give consumers of its products such statutory warranties as may be required by law and at no time shall Buyer represent to its customers and/or users of ADI products that ADI provides any additional warranties. By accepting the products, to the fullest extent permitted by law, Buyer assumes all liability for, and agrees to indemnify and hold ADI harmless against and defend ADI from, any and all suits, claims, demands, causes of action and judgments relating to damages, whether for personal injury or to personal property, suffered by any person, firm, corporation or business association, including but not limited to, Buyer's customers and/or users of the products because of any failure of the products to detect and/or warn of the danger for which the goods were designed or any other failure of the products whether or not such damages are caused or contributed to by the sold or joint concurring negligence or fault of ADI.

4. Returns

Subject to the terms and conditions listed below, during the applicable warranty period, ADI will replace Product or provide a credit at purchase at its sole option free of charge any defective products returned prepaid. Any obligations of ADI to replace Limited Lifetime warranty products pursuant to this warranty which result from defect are limited to the availability of replacement product. ADI reserves the right to replace any such products with the then currently available products, or provide a credit in its sole discretion. In the event Buyer has a problem with any ADI product, please call your local ADI branch for return instructions:

For US call 1-800-233-6261
For Canada call 877-234-7378
For Puerto Rico call 787-793-8830

Be sure to have the model number and the nature of the problem available. In the event of replacement, the return product will be credited to Buyer's account and a new invoice issued for the replacement item. ADI reserves the right to issue a credit only in lieu of replacement.

If any ADI PRO product is found to be in good working order or such product's inability to function properly is a result of user damage or abuse, the product will be returned to Buyer in the same condition as received and Buyer shall be responsible for any return freight changes.

5. Governing Law

The laws of State of New York apply to this Limited Warranty.

6. Miscellaneous

Where any term of this Limited Warranty is prohibited by such laws, it shall be null and void, but the remainder of the Limited Warranty shall remain in full force and effect.

DÉTECTEUR DE MOUVEMENT IR PASSIF 319,5MHZ, INSENSIBLE AUX ANIMAUX MANUEL D'UTILISATEUR

ADI PRO

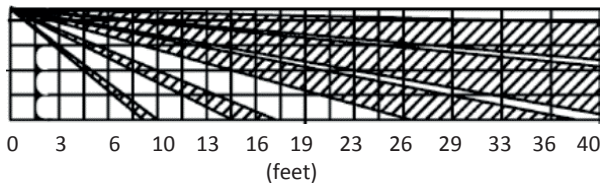


OE-PIR319V2

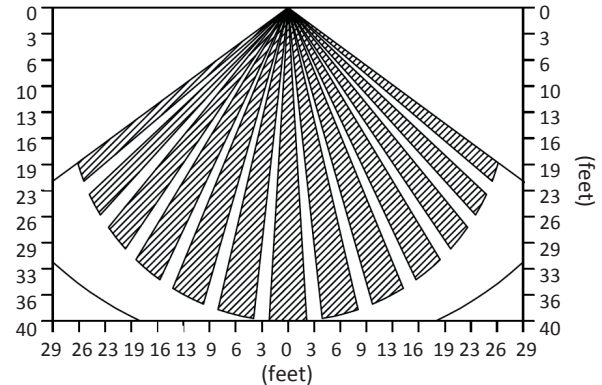
Spécifications

Fréquence :	319,5MHz
Température de fonctionnement :	De 32 à 120 °F (de 0 à 49 °C)
Humidité relative de fonctionnement :	De 5 à 95 %, sans condensation
Pile :	1 pile CR123A au lithium, 3V CC, Panasonic
Durée de vie de la pile :	5 ans
Compatibilité :	Récepteurs Interlogix/GE
Insensibilité aux animaux :	Maximum de 85 lb (39 kg)
Intervalle de supervision :	60 minutes (environ)
Zone de couverture :	40 x 40 pi (12,2 x 12,2 m), angle de 90°
Insensibilité à l'éclairage :	2 000 lux
Modèle de couverture :	7,5 pi (2,29 m)

Vue latérale :



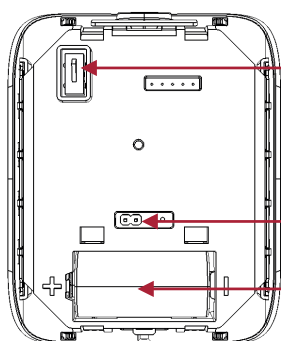
Vue de dessus :



Contenu de l'emballage

1 capteur	1 cavalier pour la sensibilité
4 vis et ancrs de mur	1 pile CR123A (installée)
2 vis pour boîtier du capteur	1 ruban adhésif double face pour l'arrière du produit
1 manuel	2 rubans adhésifs double face pour les côtés du produit

Composants

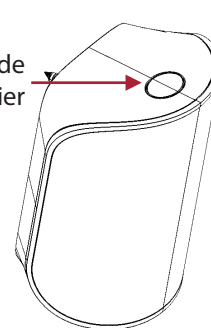


Interrupteur
antisabotage

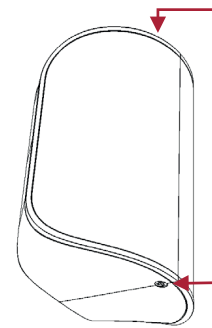
Cavalier de sensibilité

Pile CR123A

Bouton de
libération du boîtier



Vis du boîtier
du capteur



Association

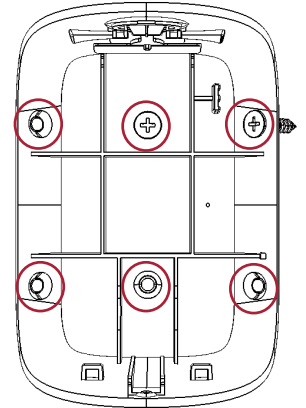
Pour associer le détecteur, sélectionnez le mode de programmation de votre panneau de commande. Ensuite, sélectionnez le menu « Learn Sensors » (découverte de capteurs). Consultez les instructions propres à votre panneau d'alarme pour plus de détails à propos de ces menus. Pour activer le capteur :

1. Retirez le capteur IR passif de la plaque de montage (boîtier arrière).
2. Retirez la protection de la pile ou encore retirez et réinstallez la pile CR123A en place afin de sélectionner le mode de test par déplacement du capteur. L'indicateur DEL rouge clignotera pendant 45 secondes.
 - a. Lorsque l'indicateur arrêtera de clignoter, le capteur pourra être déclenché en agitant votre main.
 - b. Le capteur transmettra chaque mouvement qui sera détecté. Déclenchez le capteur de mouvement aussi souvent que nécessaire, jusqu'à ce que le panneau reconnaisse le numéro de série du capteur.
3. Sélectionnez le groupe de capteurs qui convient et le numéro correspondant sur le panneau de commande.
4. Quittez le mode de programmation du panneau de commande.

Remplacez le capteur IR passif sur sa plaque de montage.

Montage

Montez le capteur de mouvement à 7,5 pi (2,3 m) du sol. Appuyez sur le bouton de libération du boîtier afin de séparer la partie avant et la partie arrière du capteur. La partie arrière donne accès aux découpes pour les vis de montage encastré ou en coin. Retirez les découpes qui conviennent et utilisez les vis fournies pour installer le produit à l'emplacement souhaité. Nous recommandons de vérifier que les découpes sont bien scellées pour éviter l'entrée d'insectes, qui pourraient causer des fausses alarmes. Remplacez le couvercle avant du capteur. Celui-ci devrait s'enclencher dans la base vissée, en haut et en bas du boîtier. Le capteur 0E-PIR319V2 est destiné à une installation conformément aux normes d'installation et de classification des systèmes d'alarme antivol UL 1641, UL 691 et UL 681. Il est strictement réservé aux installations résidentielles.



Réglage des cavaliers de sensibilité

Pour une détection de mouvement à sensibilité standard et insensible aux animaux, le cavalier doit se trouver à la position par défaut (on).

Retirez le cavalier si vous souhaitez une sensibilité accrue aux mouvements.

Mode de test par déplacement

Le mode de test par déplacement peut servir à vérifier la zone de couverture du détecteur de mouvement. Afin d'activer le mode de test par déplacement, retirez la pile pendant 10 secondes et réinsérez la. L'indicateur DEL clignotera afin d'indiquer que le capteur de mouvement se réchauffe. Après 45 secondes, l'indicateur DEL arrêtera de clignoter. Cela signifie que le capteur de mouvement est prêt à détecter des mouvements. L'indicateur DEL s'allume chaque fois qu'un mouvement est détecté. S'il s'éteint par la suite, cela indique que le capteur est à nouveau prêt à détecter de nouveaux mouvements. Le mode de test par déplacement se termine après 15 minutes. Nous recommandons de tester le capteur IR passif 0E-PIR319V2 mensuellement afin d'assurer un fonctionnement optimal.

Fonctionnement

Durant le fonctionnement normal, l'indicateur DEL ne s'allume pas, même si un mouvement est détecté. Ce comportement vise à optimiser la durée de vie de la pile. De plus, après la détection d'un mouvement et la transmission d'un signal au panneau, le capteur ne procédera à aucune transmission pendant une période de trois minutes.

Entretien – Remplacement de la pile

Lorsque la pile est faible, un message est envoyé au panneau de commande.

Pour insérer ou remplacer la pile :

- Retirez la partie avant du boîtier pour accéder à la pile.
- Retirez la plaque arrière au moyen d'un mouvement du haut vers le bas.
- Retirez la pile CR123A au lithium. Prenez note de l'orientation de la pile (également présentée sur la plaque de protection du capteur).

Faites toujours correspondre le côté positif (+) de la pile au côté plat du compartiment et le côté négatif (-) de la pile au ressort.

- Remettez le couvercle en place.

MISE EN GARDE : Ne pas respecter la présente mise en garde et les instructions peut mener à un dégagement de chaleur, à un bris, à une fuite, à une explosion, à un incendie ou à des risques de blessure ou d'endommagement. N'insérez pas la pile dans le compartiment du mauvais côté. Remplacez toujours la pile par un type identique ou équivalent (voir les caractéristiques indiquées à la page 1). Ne rechargez pas et ne désassemblez pas la pile. N'exposez jamais la pile à un incendie ou à l'eau. Gardez toujours les piles hors de portée des jeunes enfants. En cas d'ingestion de la pile, consultez immédiatement un médecin.

- Jetez et recyclez toujours les piles conformément aux exigences de mise au rebut et de recyclage des déchets dangereux de votre emplacement. Il se peut que votre ville, votre province ou votre pays impose des exigences supplémentaires en matière de traitement, de recyclage et de mise au rebut des piles.

Informations environnementales et autres

- Le capteur IR passif 0E-PIR319V2 est un produit destiné à un usage intérieur et résidentiel seulement.
- Ce produit est un dispositif hautement fiable pour la détection des intrusions. Toutefois, aucune garantie ne peut être fournie contre les vols. Tout dispositif de détection d'intrusion peut présenter un « défaut d'avertissement » pour différentes raisons. Voici quelques considérations à garder à l'esprit lors de la configuration d'un capteur IR passif :
 - Ce capteur IR passif est doté d'une protection intégrée afin d'empêcher les insectes d'entrer dans le capteur, ce qui peut causer des fausses alarmes. Il est à noter que cette protection n'empêche aucunement les insectes de circuler à proximité de l'objectif du capteur IR passif et d'activer la détection d'un mouvement.
 - L'énergie infrarouge peut être réfléchi sur des surfaces lustrées, comme les miroirs, les fenêtres, les planchers, les comptoirs et les revêtements. Certaines surfaces sont moins réfléchissantes que d'autres (par exemple, le capteur IR passif peut percevoir un changement d'énergie infrarouge provenant d'une surface réfléchissante même si la source de chaleur ou de froid n'est pas à l'intérieur du motif de détection du capteur IR passif).
 - Les fenêtres réfléchissent l'énergie infrarouge. Elles permettent également aux rayons du soleil et à la lumière d'autres sources (par exemple, les phares des voitures) d'être réfléchis vers le capteur IR passif. Le capteur peut ainsi détecter ces changements d'énergie infrarouge. Par exemple, si les rayons du soleil entrant par une fenêtre sont réfléchis sur un parquet en bois, accompagnés d'un changement suffisamment rapide de l'énergie infrarouge, le capteur IR passif peut déclencher une alarme. Le même raisonnement s'applique si la zone du capteur IR passif comprend une fenêtre, même si celle-ci n'est pas « visible » à partir du motif de détection. Les phares d'une voiture circulant à proximité pendant la nuit et entrant par une fenêtre peuvent illuminer directement l'objectif du capteur IR passif.
 - Les conduites d'air du système de chauffage ou de climatisation sont également un facteur important à considérer, car de l'air est diffusé sur des objets qui se trouvent dans le champ de vision du capteur IR passif. Ainsi, la température de ces objets peut changer suffisamment rapidement pour une détection de changement d'énergie infrarouge par le capteur. Les capteurs IR passifs ne perçoivent pas les courants d'air, seulement les changements de température des objets physiques.
 - Le capteur IR passif détecte les changements de température. Toutefois, avec une température ambiante de la zone protégée s'approchant de la plage de température entre 95 et 120 °F (35 et 49 °C), la performance de détection IR passive se détériore.
 - Assurez-vous que la zone de couverture souhaitée du capteur IR passif est sans obstructions (par exemple, des rideaux, une moustiquaire, des plantes) qui pourraient nuire au motif de détection.
 - Tout ce qui peut se balancer ou bouger en raison d'un déplacement d'air peut mener à un changement d'énergie infrarouge au sein du champ de vision. Il peut s'agir, par exemple, de courants d'air provenant d'une porte ou d'une fenêtre. Les plantes, les ballons, les rideaux et les objets suspendus ne doivent jamais se trouver dans le champ de vision du capteur IR passif.
 - N'installez pas le capteur IR passif sur une surface sujette à vibration. Non seulement la vibration peut faire bouger légèrement le capteur IR passif, mais également causer un déplacement du champ de vision du capteur IR passif pour la pièce correspondante. Une petite vibration peut nuire au champ de vision du capteur IR passif, ainsi ce dernier peut percevoir des changements d'énergie et déclencher une alarme.
 - Une installation exige souvent d'orienter le capteur IR passif vers le sol. Le capteur IR passif peut détecter un mouvement de porte avant que le contact de porte ait signalé une entrée retardée, ce qui peut aussi déclencher une alarme. Si vous installez un capteur IR passif devant une porte, alors lors de la programmation de capteur, sélectionnez le type de capteur ou de zone qui convient.
 - Le capteur IR passif détecte UNIQUEMENT les éléments qui se trouvent dans son motif de couverture.
 - Le capteur IR passif n'offre pas une protection de zone de type volumétrique.
 - Le capteur IR passif génère plusieurs faisceaux pour la protection. Une intrusion ne peut être détectée que dans la zone où les faisceaux ne sont pas obstrués.
 - Le capteur IR passif ne peut pas détecter les mouvements ou les intrusions qui se produisent derrière les murs, les plafonds, les planchers, les portes closes, les cloisons, les portes de verre ou les fenêtres.
 - Le fait de modifier le produit ou son objectif, par exemple au moyen d'un ruban adhésif, de la peinture ou d'un produit pulvérisé, peut nuire à ses capacités de détection.
 - Le capteur IR passif, comme tout autre dispositif électronique, peut présenter des défaillances de composants. Même si la durée de vie du capteur IR passif peut atteindre 10 ans, ses composants électroniques peuvent cesser de fonctionner.

Déclaration de conformité aux normes de la FCC

Cet appareil est conforme à la partie 15 de la réglementation FCC. Son utilisation est soumise aux deux conditions suivantes : (1) Cet appareil ne doit pas causer d'interférences nuisibles et (2) doit accepter toute interférence reçue, y compris les interférences pouvant entraîner un fonctionnement indésirable.

Cet équipement a été testé et déclaré conforme aux limites des appareils numériques de catégorie B, dans le cadre de la Section 15 des règles de la FCC. Ces limites sont établies afin d'offrir une protection raisonnable contre les interférences dangereuses des installations résidentielles.

Cet appareil génère, utilise et peut émettre des énergies à fréquence radioélectrique et, en cas d'installation ou d'utilisation non conformes au présent manuel d'instructions, peut provoquer des interférences dangereuses des communications radio. Cependant, nous ne pouvons garantir l'absence totale d'interférences au sein des installations spécifiques.

Si l'équipement provoque des interférences dangereuses lors de la réception des signaux radio ou de télévision (que vous pouvez identifier en éteignant et en allumant l'appareil), nous vous invitons à corriger ce problème en appliquant une ou plusieurs des mesures suivantes :

- Réorientez ou changez l'emplacement de l'antenne de réception
- Augmentez la distance entre l'équipement et le récepteur
- Connectez l'équipement sur circuit différent de celui connecté au récepteur
- Communiquez avec le revendeur ou un technicien radio ou télévisuel expérimenté pour obtenir de l'aide.

Mise en garde : Tout changement ou toute modification qui n'a pas expressément été approuvé par ADI PRO risque d'annuler l'autorité de l'utilisateur à exploiter l'équipement.

This device complies with Industry Canada licence-exempt RSS standard(s). Operation is subject to the following two conditions: (1) this device may not cause interference, and (2) this device must accept any interference, including interference that may cause undesired operation of the device.

Le présent appareil est conforme aux normes RSS d'exemption de licence d'Industrie Canada. Son utilisation est soumise aux deux conditions suivantes : (1) Cet appareil ne doit pas causer d'interférences et (2) doit accepter toute interférence reçue, y compris les interférences pouvant entraîner un fonctionnement indésirable de l'appareil.

Identifiant FCC : XQC-WST741 IC : 9863B-WST741

1. Garantie limitée

a. Généralités

Sous réserve des conditions générales de la présente garantie limitée, à partir de la date de vente et pour la durée associée aux catégories de produits définies à la section 1(b), ADI garantit que ses produits ADI PRO sont exempts de défauts de matériel et de fabrication soumis à un usage normal, à l'exception de l'usure normale. Sauf si la loi l'exige, la présente garantie limitée est offerte uniquement à l'acheteur et ne peut être transférée à un tiers.

En vertu de la présente garantie limitée et autres obligations, ADI n'endossera aucune responsabilité dans les cas suivants :

- (i) le produit est mal installé, mal appliqué ou mal entretenu;
- (ii) le produit est installé de manière non conforme aux paramètres d'utilisation indiqués, est modifié ou est mal entretenu ou réparé;
- (iii) le produit est endommagé suite à des phénomènes naturels extérieurs comme la foudre, une surcharge électrique, un incendie, une inondation, un acte de la nature ou un phénomène similaire;
- (iv) les défauts découlant d'une modification non autorisée, d'une mauvaise utilisation, du vandalisme ou de toute autre cause non liée à des vices de matériaux ou de fabrication, ou à une défaillance des piles de quelque type que ce soit utilisées avec les produits vendus aux termes des présentes.

ADI ne garantit que les produits de marque ADI PRO vendus par ADI. Les autres produits portant une marque de tiers sont garantis par le fabricant tiers pendant une période définie par ce dernier, et ADI cède à l'acheteur ces garanties et uniquement les garanties offertes par ces fabricants tiers ou vendeurs à l'égard de produits ne portant pas ses marques. ADI ne garantit pas de produits ne portant pas ses marques et vend ces produits tels quels, conformément à ses modalités de vente.

b. Les garanties particulières applicables aux catégories de produits sont les suivantes :

Catégories de produit	Période de garantie
Capteurs sans fil, capteurs IR passifs, appareils déambulatoires	2 ans

2. EXCLUSION DE GARANTIES ET LIMITATION DE RESPONSABILITÉ

AUCUNE GARANTIE OU CONDITION, EXPRESSE OU IMPLICITE DE QUALITÉ MARCHANDE OU D'ADAPTABILITÉ À UN USAGE PARTICULIER N'EST OFFERTE, OUTRE LA PRÉSENTE DESCRIPTION. DANS LA PLEINE MESURE PERMISE PAR LA LOI, ADI NE SAURAIT EN AUCUN CAS ÊTRE TENUE RESPONSABLE ENVERS QUICONQUE DES DOMMAGES CONSÉCUTIFS, INDIRECTS, SPÉCIAUX OU PUNITIFS DÉCOULANT DU PRODUIT OU LIÉS À CELUI-CI DE QUELQUE FAÇON QUE CE SOIT ET/OU DU NON-RESPECT DE LA PRÉSENTE GARANTIE OU DE TOUTE AUTRE GARANTIE OU CONDITION, EXPRESSE OU IMPLICITE, OU DE TOUTE AUTRE RÉCLAMATION FONDÉE SUR LA RESPONSABILITÉ, MÊME SI LA PERTE OU LES DOMMAGES SONT CAUSÉS PAR LA NÉGLIGENCE OU LA FAUTE D'ADI ET MÊME SI CETTE DERNIÈRE A ÉTÉ AVISÉE DE LA POSSIBILITÉ QUE DE TELLES PERTES OU DE TELS DOMMAGES SURVIENNENT. Les descriptions de produits (fournies par écrit ou verbalement par ADI ou ses mandataires), caractéristiques techniques, échantillons, modèles, bulletins, dessins, diagrammes, esquisses techniques ou documents similaires utilisés par l'acheteur pour passer une commande visent uniquement à décrire les produits d'ADI et ne doivent pas être interprétés comme des garanties ou conditions expresses. Les suggestions faites par ADI ou ses mandataires au sujet de l'utilisation, de l'application ou du caractère approprié des produits ne doivent pas être interprétées comme des garanties ou conditions expresses, sauf si ADI confirme par écrit qu'il s'agit de garanties ou de conditions expresses. ADI ne garantit pas qu'il n'y aura aucune atteinte à l'intégrité des produits qu'elle vend ou que les produits qu'elle vend ne seront pas contournés, qu'ils préviendront les blessures ou les pertes matérielles en cas de cambriolage, de vol, d'incendie ou autrement ou qu'ils constitueront dans tous les cas une protection ou un avertissement approprié. L'acheteur comprend qu'un produit dûment installé et entretenu permet uniquement de réduire le risque de cambriolage, de vol ou d'incendie, mais qu'il ne constitue pas une assurance ou une garantie qu'un tel événement ne se produira pas ou qu'il n'entraînera pas des blessures ou des pertes matérielles. PAR CONSÉQUENT, ADI NE SAURAIT ÊTRE TENUE RESPONSABLE DES BLESSURES, DES DOMMAGES MATÉRIELS OU D'AUTRES PERTES FAISANT L'OBJET D'UNE RÉCLAMATION, Y COMPRIS UNE RÉCLAMATION SELON LAQUELLE LE PRODUIT N'AURAIT PAS DONNÉ DE SIGNAL D'AVERTISSEMENT. Toutefois, si ADI est tenue responsable, directement ou indirectement, de pertes ou de dommages à l'égard des produits qu'elle vend, quelle qu'en soit la cause ou l'origine, sa responsabilité n'excédera en aucun cas le prix d'achat du produit, dont le remboursement sera exigé à titre de dommages-intérêts extrajudiciaires et non d'amende, et il s'agira du recours exclusif et intégral pouvant être exercé contre ADI.

3. Limitation de la responsabilité envers les clients de l'acheteur

L'acheteur accepte de limiter la responsabilité à ses clients dans la pleine mesure permise par la loi. L'acheteur reconnaît qu'ADI ne sera réputée avoir fourni aux consommateurs de ses produits que les garanties qui sont exigées par la loi. L'acheteur ne doit en aucun cas déclarer à ses clients et/ou aux utilisateurs des produits d'ADI que cette dernière offre d'autres garanties. Par l'acceptation des produits, l'acheteur assume, dans la pleine mesure permise par la loi, la pleine responsabilité à l'égard de toutes les poursuites, réclamations, mises en demeure et causes d'action et à l'égard de tous les jugements se rapportant à des dommages-intérêts, que ce soit pour des préjudices personnels ou des dommages matériels, subis par une personne, une firme, une société ou une association commerciale, y compris les clients de l'acheteur et/ou les utilisateurs des produits, en raison de toute omission de la part des produits de déceler le danger pour la détection duquel ils sont conçus et/ou de donner l'alerte de ce danger ou un avertissement de toute autre défaillance des produits, que ces dommages aient été causés par la négligence dont ADI est l'auteur ou le coauteur, et il tiendra ADI à couvert à cet égard et prendra fait et cause pour lui.

4. Retours

Sous réserve des conditions générales énumérées ci-dessous et durant la période de garantie applicable, ADI remplacera ou créditera tout produit défectueux retourné à sa seule discrétion et sans frais (y compris le transport). L'obligation qui incombe à ADI de remplacer le produit visé par une garantie à vie limitée dans le cadre de la présente garantie en cas de défectuosité se limite à la disponibilité d'un produit de remplacement. ADI se réserve le droit de remplacer un produit défectueux par le produit qui est disponible à ce moment-là ou d'accorder une note de crédit, à son gré. Si l'acheteur a un problème avec un produit d'ADI, il doit appeler sa succursale ADI locale afin de connaître la marche à suivre pour retourner le produit.

Aux États-Unis, composer le 1 800 233-6261

Au Canada, composer le 877 234-7378

À Porto Rico, composer le 787 793-8830

Assurez-vous d'avoir en main le numéro de modèle et d'être en mesure d'expliquer la nature du problème. En cas de remplacement, le prix du produit retourné sera porté au crédit du compte de l'acheteur et une nouvelle facture sera établie pour le produit de remplacement. ADI se réserve le droit de donner une note de crédit plutôt que de remplacer le produit.

S'il a été établi que le produit ADI PRO n'est pas défectueux ou que son mauvais fonctionnement résulte d'une utilisation abusive ou de dommages causés par l'utilisateur, le produit sera retourné à l'acheteur dans le même état que celui dans lequel il a été reçu et l'acheteur devra acquitter les frais de transport.

5. Droit applicable

Les lois de l'État de New York s'appliquent à la présente garantie limitée.

6. Divers

Si une modalité de la présente garantie limitée est interdite par ces lois, elle sera nulle, mais le reste de la présente garantie limitée demeurera pleinement en vigueur.