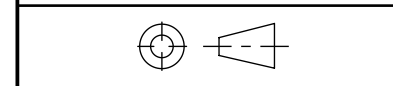


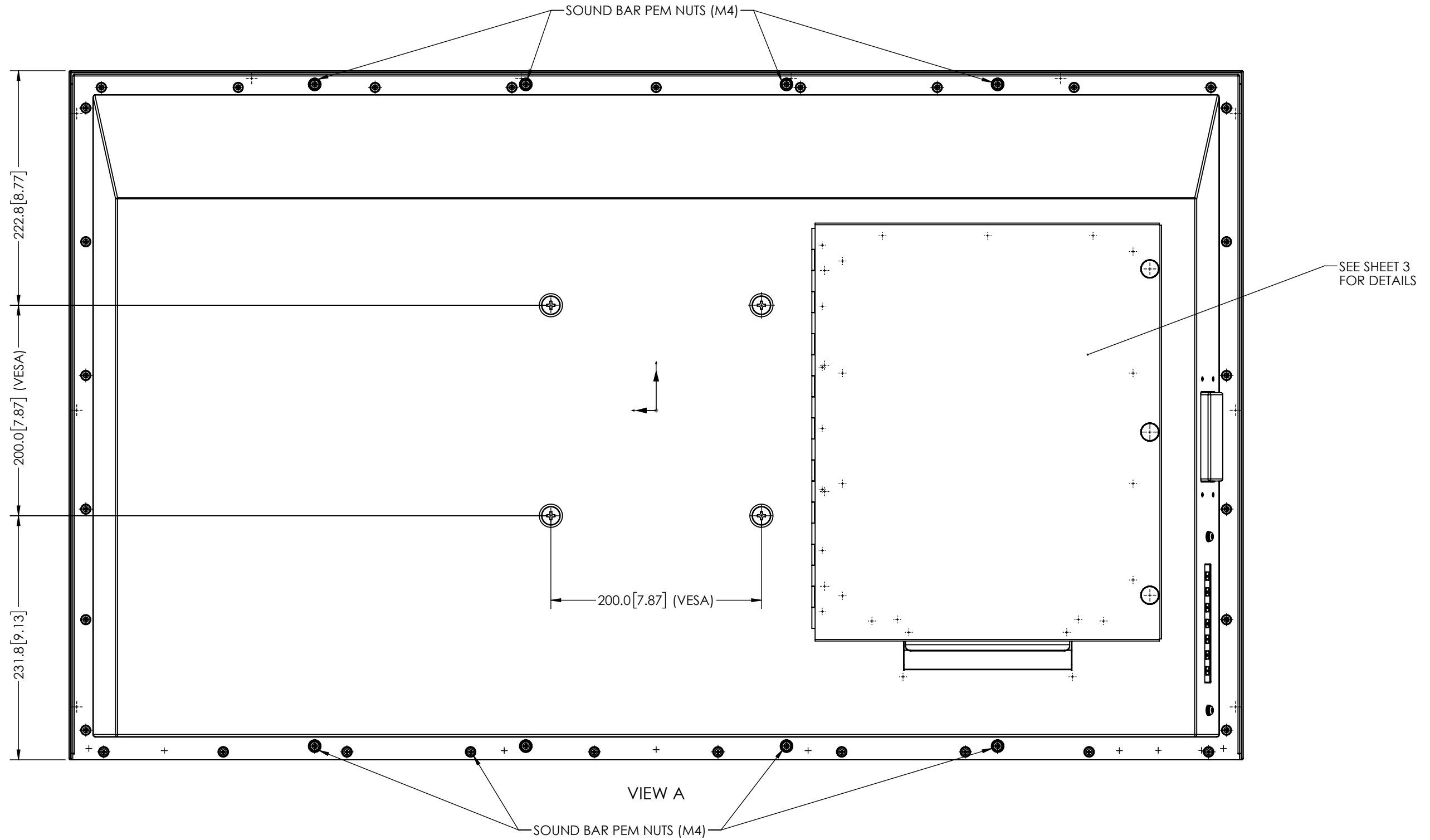
The information herein is the property of SunBriteTV. No portion of this data shall be released, disclosed, used, or duplicated for any purposes without the written consent of SunBriteTV.

FRACTIONS	DECIMALS	ANGLES
±.030	.X ± .05	± 1°
	.XX ± .03	
	.XXX ± .010	

UNLESS OTHERWISE SPECIFIED DIMENSIONS ARE IN INCHES



<b>SunBriteTV®</b>			
TITLE <b>SB-FS-49-BL</b>			
SIZE B	SCALE 1:10	PART #	REV
SHEET 1 OF 3			

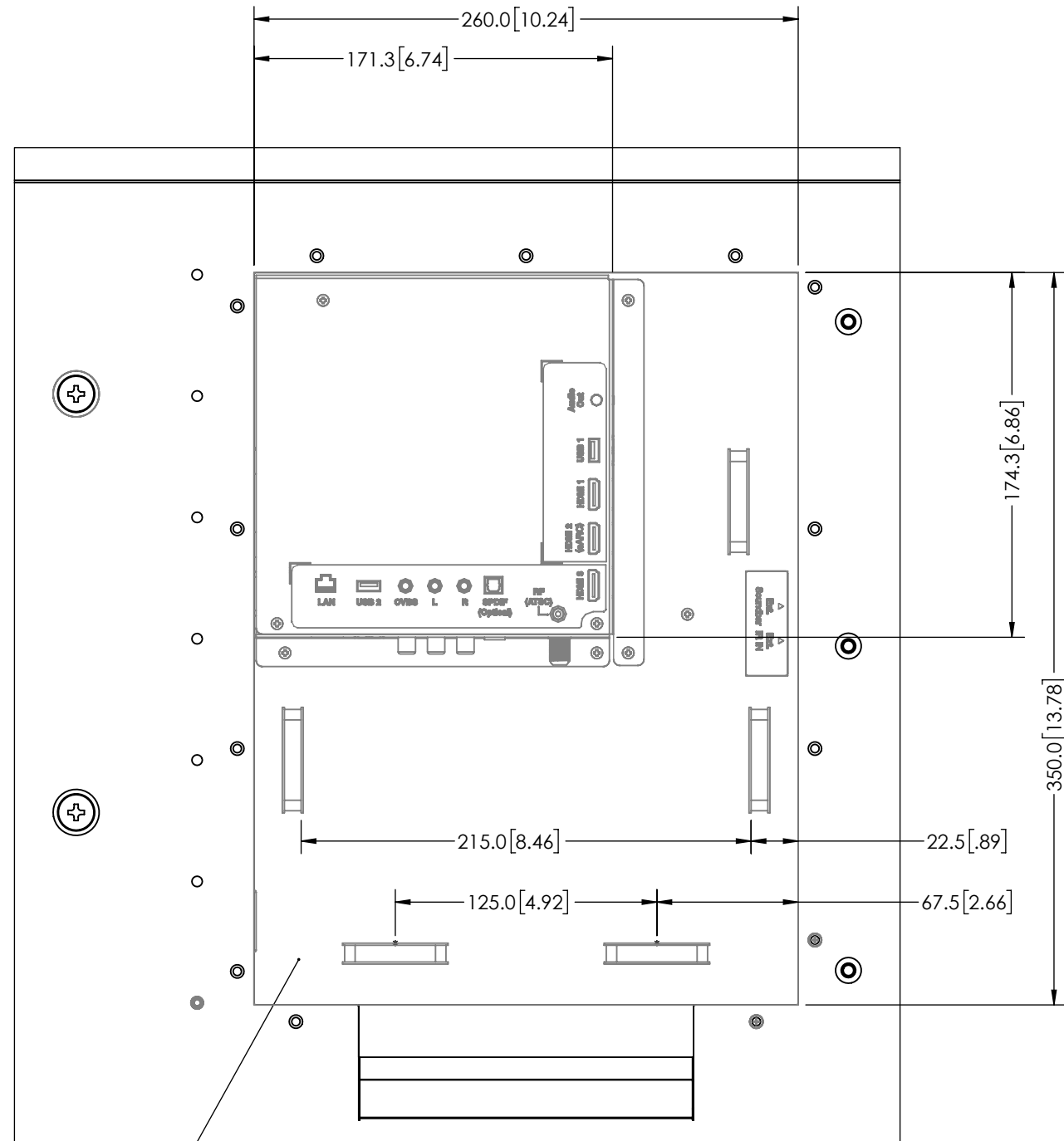


The information herein is the property of SunBriteTV. No portion of this data shall be released, disclosed, used, or duplicated for any purposes without the written consent of SunBriteTV.

FRACTIONS	DECIMALS	ANGLES
±.030	.X ± .05	± 1°
	.XX ± .03	
	.XXX ± .010	

UNLESS OTHERWISE SPECIFIED DIMENSIONS ARE IN INCHES

<b>SunBriteTV</b>			
TITLE <b>SB-FS-49-BL</b>			
SIZE B	SCALE 1:10	PART #	REV
SHEET 2 OF 3			



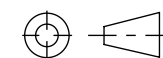
MEDIA BAY OPENING  
260.0mm X 350.0MM / 10.24" X 13.78"

DEPTH  
41.4mm / 1.63"

The information herein is the property of SunBriteTV. No portion of this data shall be released, disclosed, used, or duplicated for any purposes without the written consent of SunBriteTV.

FRACTIONS	DECIMALS	ANGLES
±.030	.X ± .05	± 1°
	.XX ± .03	
	.XXX ± .010	

UNLESS OTHERWISE SPECIFIED  
DIMENSIONS ARE IN INCHES



**SunBriteTV**

TITLE			
<b>SB-FS-49-BL</b>			
SIZE	SCALE	PART #	REV
B	1:10		
SHEET 3 OF 3			