

## WELCOME TO WATTBOX™

WattBox power products are designed specifically to provide customers with advanced protection for their valuable electronics and custom integrators with maximum flexibility for installation. Rest assured that WattBox products will deliver the protection and safety for your customers' needs. All WattBox products are UL certified and built with the highest quality components available.

## KEY FEATURES

**Surge Protection with Fireproof MOVs** – Advanced Ceramic MOV technology reduces risk of fire from surges.

**Surge Disconnect** – In the event of a catastrophic surge event, the WattBox™ component will sacrifice itself and permanently disconnect AC Power.

**Sequential Power** – Protects against harmful speaker pop and blown circuits by sequentially turning equipment on and off.

**Noise Filtration** – Eliminates AC noise to improve picture and sound quality.

**High Current Outlets** – Designed for equipment with high current demands such as amplifiers and subwoofers.

**Flexible Power Cord** – WattBox™ power cords are both flexible and durable, and designed for ease of installation.

**Safe Voltage Monitoring** – WattBox components equipped with Safe Voltage Monitoring will automatically disconnect system equipment from harmful over and under voltages. When the Input voltage returns to a safe level, the equipment will be reconnected.

**Input Trigger** – Allows 3rd party control systems to control events and outlets on the WattBox.

**IP Control** – Provides control of all outlets over an IP network. Turn outlets on and off through a web browser.

**Modular Display** – Mount a display separately anywhere in the rack using the WB-600-FP or WB-FACEPLATE (sold separately).

**Auto Reboot** – Monitors network activity and resets power to outlets when programmable conditions are met.

**Outlet Control Scheduling** – Configure outlets to turn off or on at a specific date or time.

**System Notifications** – Programmable email notifications keep you informed of System Status changes.

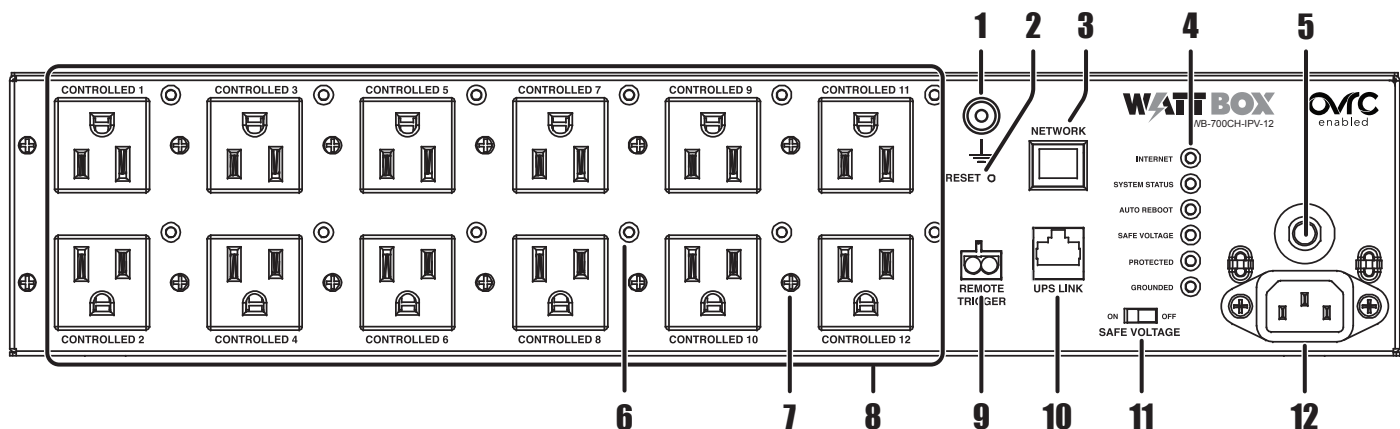
**Remote Firmware Updates** – Log into the device from anywhere on the Internet and update firmware remotely.

**Flexible Mounting** – Easy rack- or shelf-mountable using the included rack ear hardware and mounting feet.

## PACKAGE CONTENTS

- (1) WB-700CH-IPV-12
- (2) Sheets of Power Cord Labels (16 total labels)
- (1) Owner's Manual
- (4) Screws, Washers, and Anchors
- (6) Power Adapter Hook & Loop Tie Down Straps
- (4) Rubber Feet
- (1) 6ft Power Cord
- (2) Small Rack Mounting Brackets
- (2) Large Rack Mounting Brackets
- (8) Mounting Bracket Screws
- (1) OvrC Quick Start Guide

## REAR PANEL



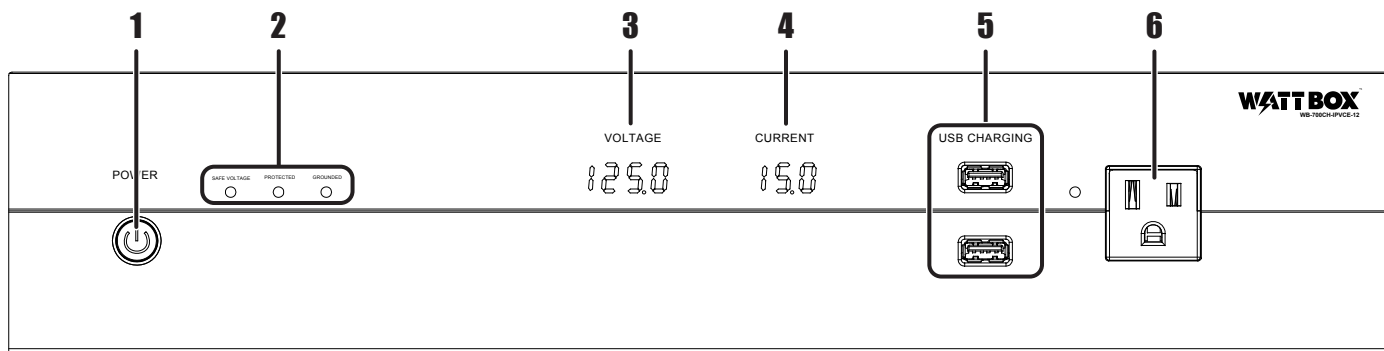
## REAR ANNOTATIONS

1. Ground Lug – Ground post for bonding equipment.
2. Reset Button – Press to restart the network card (no settings are changed). Note: The Reset Button does NOT restore factory defaults - this can be done using the Wattbox Utility Software.
3. RJ45 Network Connection – Connect to the Local Area Network (LAN) for IP control and monitoring.
4. Indicator LEDs – See the status of Internet activity, system status, auto reboot, safe voltage, voltage protection, and grounding.
5. Circuit Breaker – 15 Amp circuit breaker that trips out the unit when overamperage conditions occur. Press to reset.
6. Power Indicators for Outlets 1-12 – Illuminates when power is ON (x12 – 1 for each outlet).
7. Hook & Loop Strap Lockdown – Used to secure wall wart power supplies in place (x12 – 1 for each outlet).
8. Controllable Outlets – All outlets are individually switchable (IP controlled).
9. Input Trigger – Used to control outlets with a contact closure. Shorting the connector pins together will turn off any outlet that is set as 'Enabled' under the Input Trigger section. A momentary contact switch can be used to reset these outlets.
10. UPS Link – For connection to a Wattbox UPS unit.
11. Safe voltage switch – Toggles the "Safe Voltage" feature on and off.
12. Power Inlet – Detachable power cord outlet with locking clip.

## FRONT ANNOTATIONS

1. AC Power Switch (Momentary) – Press to toggle the WattBox on and off.
2. LED Indicators – See the status of auto reboot, voltage protection, and grounding.
3. Input Voltage Meter – Displays the input voltage being supplied from the outlet.
4. Output Current Meter – Displays current draw in amps (A).
5. USB Charging Ports – Connect USB devices for power.
6. Utility Outlet Power Indicator – Illuminates when the front panel outlet is powered.
7. Utility AC Outlet (Protected) – Front-facing outlet for service use.

## FRONT PANEL



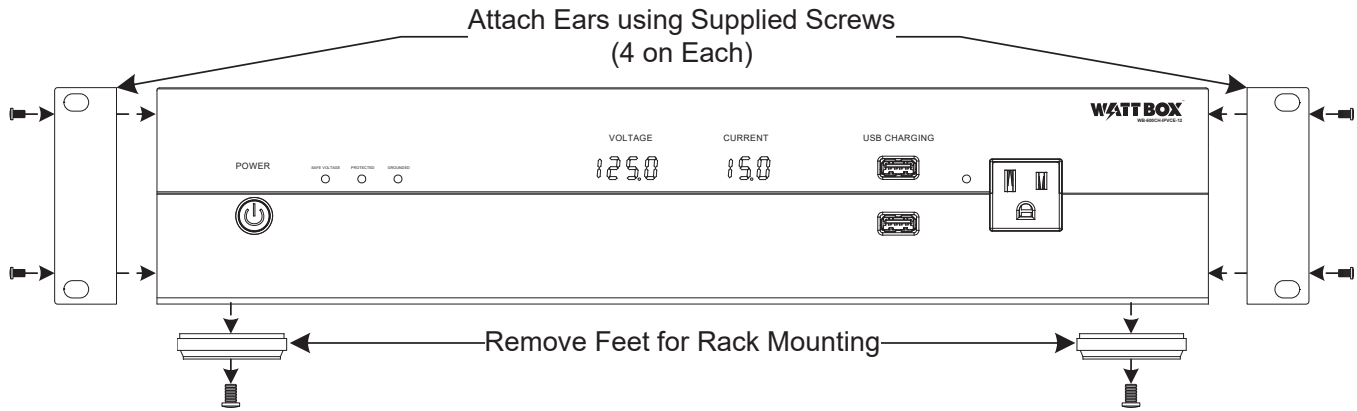
## LED OPERATION

Note: LEDs on the front and back of the WattBox function identically.

Internet	Green (Solid):	All sites/IP Addresses are communicating with the WattBox
	Green (Flashing):	At least 1 (not all) Sites/IP Addresses are communicating with the WattBox
	Red (Solid):	None of the Sites/IP Addresses are communicating with the WattBox.
System Status	Green (Solid):	WattBox processor is in an operating state and can be accessed via the WattBox interface
	Green (Flashing):	Firmware for the WattBox processor is being updated, during this state the WattBox cannot be accessed via the WattBox interface.
	Red (Solid):	WattBox processor is NOT in an operating state, reset button must be pressed to return the WattBox to an operating state.
Auto Reboot	Green (Solid):	Auto Reboot is Enabled, WattBox will perform power cycle for outlets that are ON when communication with the assigned Website/IP Address is lost. Note: outlets that are OFF will not power cycle.
	Off	Auto Reboot is Disabled, no power cycle will occur when communication with the assigned Website/IP Address is lost.
Safe Voltage	Green (Solid):	The current incoming AC voltage is safe for operation, all outlets will receive power.
	Green (Flashing):	Unit is verifying incoming AC voltage, occurs at WattBox power up or when incoming voltage returns to a safe condition after unsafe voltage was detected.
	Red (Solid):	Incoming AC voltage is NOT safe. WattBox outlets will be off until a safe incoming AC voltage is detected.
Protected	Green (Solid):	The WattBox is powered on and outlets are protected.
	Off:	The WattBox is not powered on, or the MOVs have opened removing power from the outlets.
Grounded	Green (Solid)	Incoming AC outlet is grounded.
	Off	Incoming AC outlet is not grounded and requires inspection by an electrician.

## POSITIONING OPTIONS

The WattBox™ 700 Chassis Series is designed for placement on a shelf or mounting in standard 19" equipment racks. Both rack ears and feet are included so the decision can be made during installation. Attach the brackets or feet to the WattBox™ depending on the desired application using the supplied hardware as illustrated below.

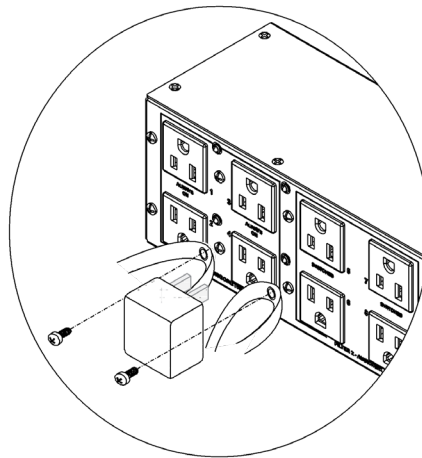


**Note:** Rack ears can be mounted towards the rear of the unit to for easy connection access.

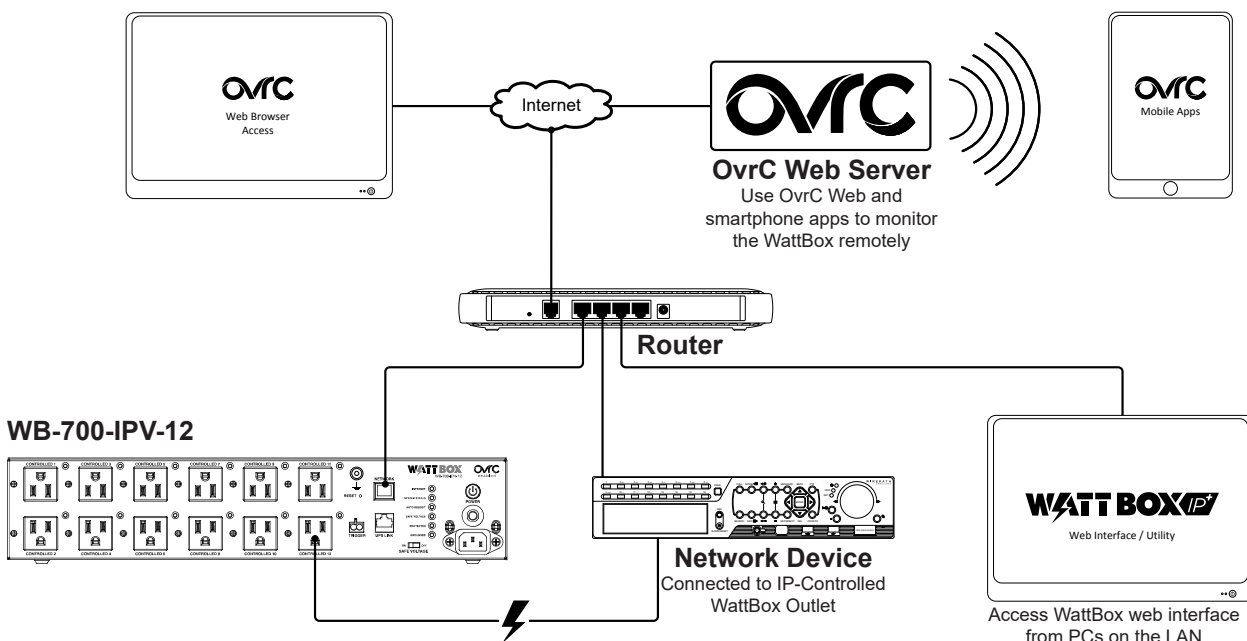
## SECURING POWER ADAPTERS

WattBox™ 700 series is supplied with hook & loop straps that can be used to secure power adapters the outlets.

1. Remove the screw on both sides of the outlet.
2. Insert the screw in the eyelet on the hook & loop straps.
3. Tighten the screw to secure the strap.
4. Wrap the hook & loop straps over the power adapter and fasten them together.



## IP CONNECTIONS AND SETUP



Connect the WattBox™ and any equipment monitored and powered by the WattBox to the local network as illustrated.

After installation, you may set up this device in your OvrC account, and use the Wattbox Utility and web interface to configure LAN-only settings. To ensure reliable integration with other IP equipment, set up a static IP address for the WattBox.

**OvrC Setup** — See the OvrC documentation included in the box with this manual or go to [OvrC.com](http://OvrC.com).

**WattBox Utility Setup** — Visit the product page on the SnapAV website to download the WattBox Utility. Open the “WattBox LAN IP Setup Quick Start Guide” PDF and follow the instructions for using the Utility software.

**Web Interface Access** — After using the WattBox utility, you may access the web interface locally to continue IP configuration. Visit the product support tab for this WattBox product for web interface documentation.

## **IMPORTANT SAFETY INSTRUCTIONS**

Read and observe the following safety points at all times.

### **WARNING – Power Sources**

Do not plug this Component into a power outlet that differs from the source indicated for safe use on the Component. If you don't know the type of electrical power that is supplied to your home, consult your local power company or a qualified electrician.

### **WARNING – Grounding and Polarization**

This plug is designed to be inserted into a grounded-type outlet only. Do not force the Component plug into an outlet that is not designed to accept a three-wire grounded-type AC plus (three prong plug) Never attempt to dismantle the plug in any way (or to alter the powercord), and do not attempt to defeat the grounding feature by using a 3-to-2 prong adapter. If you have questions about grounding, consult your local power company or a qualified electrician.

This Wattbox™ component requires a properly grounded outlet for safety and to protect connected equipment. If you're not sure if your home's electrical wiring is properly grounded, have it checked by a qualified electrician.

If any rooftop devices such as satellite dishes, antennas, or any other component with wire being used that connects to the Component, be sure the wire(s) is properly grounded. This protects against voltage surges and static charges.

Do not place any antenna near overhead power lines or any other power circuit. Do not touch any power line or power circuit. Doing so may cause severe physical injury or possibly death.

### **WARNING – Liquid: Avoiding Electrical Shocks**

Do not operate the Component if liquid of any kind is spilled onto or inside the unit. Do not operate the Component near rain or water that's spilled or contained (e.g., bathtub, kitchen, or sink).

### **WARNING – Power Cord Safety**

When routing the Component's AC power cord, do not place it near heavy foot traffic areas (e.g., hallways, doorways, and floors). Do not create a trip hazard with the power cord.

If the power cord's protective jacket begins to rip or fray, exposing the internal wiring, shielding, etc., disconnect it from the AC power source and discontinue use of the Component immediately. See the Warranty Information section of this owner's manual for important details.

### **WARNING – No User Serviceable Parts Inside**

If, for any reason, the Component is not operating properly, do not remove any part of the unit (cover, etc.) for repair. Unplug the unit and consult the Warranty Information section of this owner's manual for important details.

### **CAUTION – Exposure To Heat**

Do not expose the Component to direct sunlight or place it near wall heaters, space heaters, or any enclosed space prone to temperature increase.

### **CAUTION – Proper Cleaning**

In general, the only cleaning necessary for the Component is a light dusting. Unplug the Component from the wall outlet before cleaning it. Do not use any type of liquid or aerosol cleaners.

### **CAUTION – Earthing**

Component should be installed by certified service personnel to ensure that the product is connected to a socket-outlet with a protective earthing connection.

## TROUBLESHOOTING

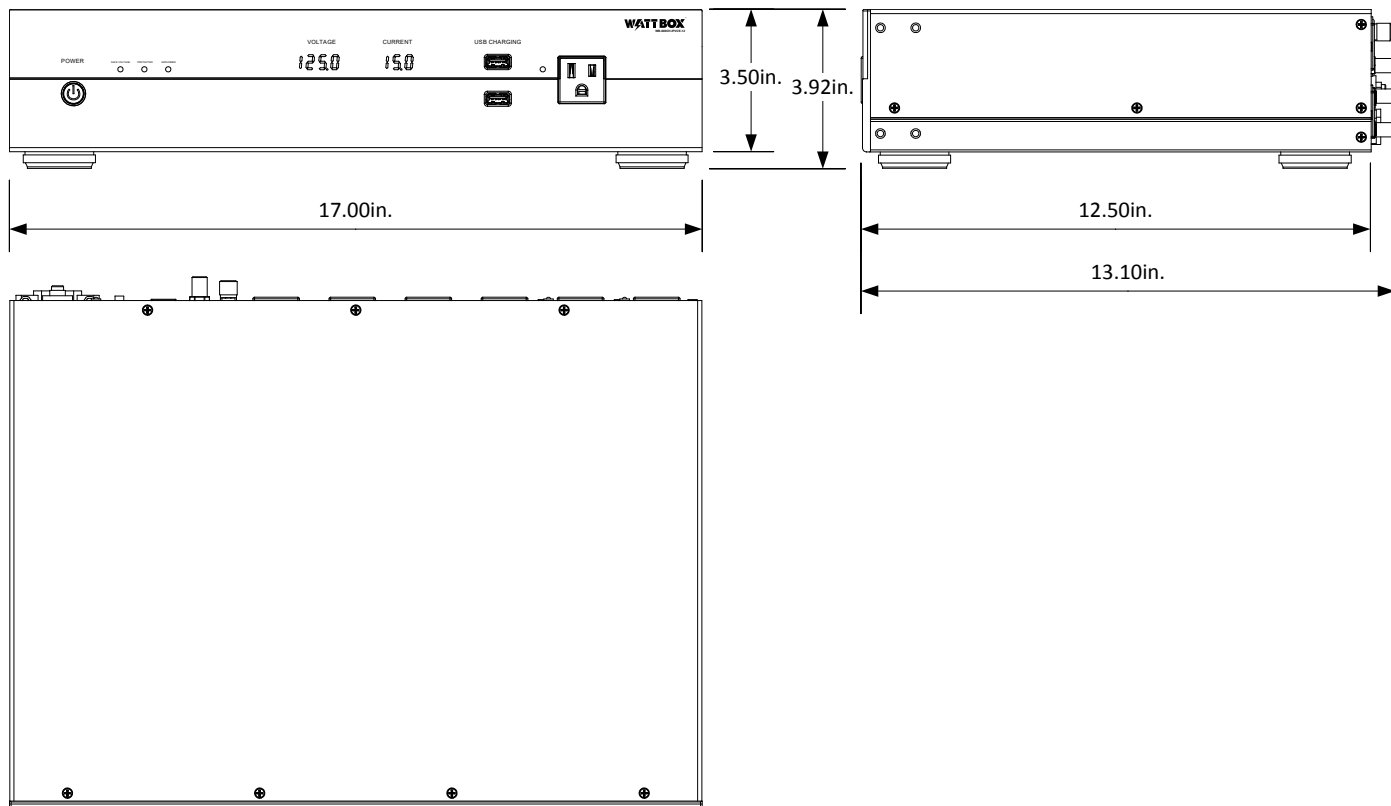
Symptom	Possible Cause	Remedy
Wattbox™ is not receiving power.	Wattbox™ is not turned On.	<ul style="list-style-type: none"> <li>• Turn Wattbox™ switch on. Make sure AC power plug is plugged into a properly grounded 120 volts (nominal) wall outlet.</li> <li>• In some households, a wall switch may need to be turned on to make the wall outlet active. Try turning on the light switches located near the wall outlet.</li> </ul>
	Too many devices are connected, causing an overload, tripping the Thermal Circuit Breaker.	<ul style="list-style-type: none"> <li>• Press Wattbox™ resettable circuit breaker button in to reset. Please allow 10 minutes before attempting to reset. If reset too soon, the breaker will prematurely sense power overload and not allow Wattbox™ to operate.</li> <li>• If the circuit breaker continues to trip, try moving one or more components to another Wattbox™. Too much current may be drawing through one Wattbox™.</li> </ul>
Component is not receiving power.	Component is plugged into a controlled outlet and the outlet is off.	<ul style="list-style-type: none"> <li>• Log into WattBox™ interface to turn the outlet On</li> </ul>
	Component is plugged into a controlled outlet, but power on the component is not On. In some instances, a component plugged into a switched outlet won't receive power when Wattbox™ is turned On unless the component power is also switched On.	<ul style="list-style-type: none"> <li>• Turn the component power On.</li> </ul>
Speakers emit a humming or buzzing noise.	Wattbox™ is sharing AC power with equipment that is not properly grounded.	<ul style="list-style-type: none"> <li>• Connect Wattbox™ to a dedicated outlet.</li> <li>• Try unplugging different components from Wattbox™ one at a time to see if the noise stops.</li> </ul>

Contacting Technical Support - Phone: (866) 838-5052 - Email: [Techsupport@wattboxpower.com](mailto:Techsupport@wattboxpower.com)

## SPECIFICATIONS

<b>Outlets</b>	
Type	NEMA 5-15
Number of Outlets	12 Rear, 1 Front
IP Controlled	All rear outlets (12)
Front USB Charging Ports	2 (5V DC 1.5A)
<b>AC Power</b>	
Line Voltage	120V AC, 50/60Hz
AC Input Connection	IEC C-14
Power Cord Length	6 Feet
Circuit Breaker Rating	15A
UL Current Rating	12A
Voltage Protection Rating (UL 1449 3rd Edition)	500V
Joule Rating	6480 Joules
Surge Component	Ceramic Encased MOV
Protection Modes	L-N, L-G, N-G
Peak Impulse Current	396,000A
Disconnect Circuitry	Yes
Thermal Fuse	Yes
<b>EMI / RFI Noise Filtration</b>	
Outlet Filter	53dB, 1kHz to 1mHz
<b>Safe Voltage Disconnect</b>	
Over Voltage	138V AC +/- 5V AC
Under Voltage	88V AC +/- 5V AC
<b>Operating Temperature Range</b>	14 to 104°F (-10 to +40°C)
<b>UL Certifications</b>	UL 60950-1, UL 1449, UL 498, UL 497A/B, UL 1283
<b>Connected Equipment Warranty</b>	\$50,000

# DIMENSIONS



## WARRANTY

### 5-Year Limited Warranty

This WattBox® product has a 5-Year Limited Product Warranty and a 5-Year Network Connectivity Warranty. The 5-Year Limited Product Warranty includes parts and labor repairs on all components found to be defective in material or workmanship under normal conditions of use. This warranty shall not apply to products which have been abused, modified, or disassembled. Products to be repaired under this warranty must be returned to the specified shipping location or a designated service center with prior notification and an assigned return authorization number (RA).

### 5-Year Replacement Policy

Valid only in the United States and Canada. If your WattBox surge protector becomes damaged while protecting your connected equipment, you may request an equivalent replacement to the latest technology of that product category. Keep a copy of the original invoice to verify the date of purchase by the original buyer.

### Warning Notice

#### WARRANTY LIMITATION FOR INTERNET PURCHASERS:

WattBox products purchased outside of the SnapAV or AisleEight internet website do not carry a valid Connected Equipment Protection Policy unless purchased from an Authorized Dealer.

**CAUTION:** Audio/Video, computer and/or telephone system installations can be very complex systems, which consist of many interconnected components. Due to the nature of electricity and surges, a single protector may not be able to completely protect complex installations. In those cases, a systemic approach using multiple protectors must be employed. Systemic protection requires professional design. AC power, satellite cables, CATV cables, or telephone/network lines entering the system that do not pass through this surge protector will render the connected equipment protection policy null and void. For additional information on how to protect your system, please contact WattBox before connecting your equipment to the surge protector.

#### WattBox Surge Protector Connected Equipment Protection Policy

Valid only in the United States and Canada. It is the policy of WattBox that it will, in its sole discretion, replace, pay to replace at fair market value, or pay to repair, up to the dollar amount specified, equipment that is damaged by an AC power, cable, telephone, or lightning surge while connected to a properly installed WattBox surge protector. WattBox must determine that the surge protector shows signs of surge damage or is operating outside of design specifications, relative to its surge protection capability, and under all of the circumstances failed to protect your connected equipment.

### THIS POLICY IS SUBJECT TO THE CONDITIONS BELOW:

#### 1. PROOF OF PURCHASE REQUIRED:

WattBox's connected equipment policy extends to the original purchaser of the WattBox product only and is non-transferable.

Original purchase receipts must accompany any product return or claim for connected equipment damage.

#### 2. PROPER INSTALLATION:

WattBox AC protectors must be directly plugged into a properly grounded 3-wire AC outlet. Extension cords, non-grounded two prong adapters, or other non-WattBox surge products must not be used. Building wiring and other connections to protected equipment must conform to applicable codes (NEC or CEC). No other ground wires or ground connections may be used. All wires (e.g., AC power lines, telephone lines, signal/data lines, coaxial cable, etc.) leading into the protected equipment must first pass through a single WattBox protector designed for the particular application. The protector and the equipment to be protected must be indoors in a dry location, and in the same building. WattBox installation instructions and diagrams must be followed.

#### 3. NOTIFICATION:

You must notify WattBox within fourteen days of any event precipitating a request for product replacement or payment for connected equipment damage. A return authorization (RA) number must first be obtained from the WattBox Customer Service Department returning the protector to WattBox. At this time, you must notify WattBox if you believe you have a claim for damaged connected equipment.

Once you obtain an RA number, please mark the number on the bottom of the unit and pack it in a shipping carton/box with enough packing material to protect it during transit. The RA number must also be clearly marked on the outside of the carton. Ship the unit to WattBox. Please note that you are responsible for any and all charges related to shipping the unit to WattBox.

If connected equipment damage was indicated on your RA request, WattBox will request the make and model of all connected equipment, a connection diagram of your system, as well as other requests based on the extent of the request for product placement or payment for connected equipment damage. All requests by WattBox are to be completed and returned within 30 days. Be sure to note its configuration before disconnecting your equipment.

#### **4. DETERMINATION OF FAILURE:**

WattBox will evaluate the protector for surge damage. The protector must show signs of surge damage or must be performing outside of design specifications relative to its surge protection capability. Opening the enclosure, tampering with, or modifying the unit in any way shall be grounds for an automatic denial of your request for payment. WattBox, after evaluating all information provided, shall, in its sole discretion, determine whether or not your request is eligible for payment.

If the surge protector shows no signs of AC power or signal line surge damage and is working within design specifications, WattBox will return the unit to you explaining the test results and notifying you of the rejection of your claim. WattBox reserves the right to inspect the damaged connected equipment, parts, or circuit boards. WattBox also reserves the right to inspect the customer's facility. Damaged equipment deemed uneconomical to repair must remain available for inspection by WattBox until the claim is finalized.

#### **5. REQUEST PAYMENTS:**

Once WattBox has determined that you are entitled to compensation, WattBox will, at its election, pay you the present fair market value of the damaged equipment, or pay for the cost of the repair, or send you replacement equipment, or pay the equivalence of replacement equipment.

#### **6. OTHER INSURANCE/WARRANTIES:**

This coverage is secondary to any existing manufacturer's warranty, implied or expressed, or any insurance and/or service contract that may cover the loss.

#### **7. EXCLUSIONS:**

THE WattBox SURGE PROTECTOR EQUIPMENT POLICY DOES NOT APPLY TO: Service charges, installation costs, reinstallation costs; setup cost; diagnostic charges; periodic checkups; routine maintenance; loss of use of the product; costs or expenses arising out of reprogramming or loss of programming and/or data; shipping charges or fees; service calls; loss or damage occasioned by fire, theft, flood, wind, accident, abuse or misuse; and products subject to manufacturer's recall or similar event.

#### **8. DISPUTE RESOLUTION:**

Any controversy or claim arising out of or relating to WattBox's Surge Protector Equipment Policy, or the alleged breach thereof, shall be settled by arbitration administered by the American Arbitration Association under its Commercial Arbitration Rules. You may file for arbitration at any AAA location in the United States upon the payment of the applicable filing fee. The arbitration will be conducted before a single arbitrator, and will be limited solely to the dispute or controversy between you and WattBox. The arbitration shall be held in any mutually agreed upon location in person, by telephone, or online.

Any decision rendered in such arbitration proceedings will be final and binding on each of the parties, and judgment may be entered thereon in a court of competent jurisdiction. The arbitrator shall not award either party special, exemplary, consequential, punitive, incidental or indirect damages, or attorney's fees. The parties will share the costs of arbitration (including the arbitrator's fees, if any) in the proportion that the final award bears to the amount of the initial claim.

#### **9. GENERAL**

If you have any questions regarding the product warranty or the connected equipment protection policy, please contact the WattBox Customer Service Department. This warranty supersedes all previous warranties. This is the only warranty provided with the protector and any other implied or expressed warranties are nonexistent. This warranty may not be modified except in writing, signed by an officer of the SnapAV Corporation.

**WATT BOX**

180531-1610  
© 2018 Wattbox™