



# Yealink AP08 Dante Digital Signal Processor

Yealink AP08 DSP, a cutting-edge digital signal processor, aims to enhance your meeting experience with its exceptional automation capabilities. With support for up to 16x16 Dante audio channels, including 8 optimized channels with dynamic AEC, intelligent noise cancellation, and reverberation suppression, coupled with 4x4 analog audio channels and two simultaneous USB 3.0 Type-B device interfaces, AP08 DSP ensures smooth audio transmission and clear communication. Combined with Room Designer software, AP08 DSP seamlessly integrates automated design and acoustic environment adaptive technology, setting a new standard for audio quality and convenience in your meetings. Make Yealink AP08 DSP your preferred choice and enjoy an outstanding audio experience.



16\*16 Dante Channel



8 AEC Channels



Yealink Room Designer



AI-Based Sound Optimization



One-button Deployment



Intelligent Design



Acoustic Adaptation



Dual USB Interface

## Key Features and Benefits

### Flexible Customization

Yealink AP08 DSP supports 16x16 Dante audio channels with 8 channels featuring dynamic AEC algorithms. It also includes 4x4 analog channels and two USB-B device interfaces. With Room Designer, configure audio routing and algorithm modules to meet customized needs, ensuring exceptional audio transmission and clear communication.

### Intelligent Solution Design

Yealink's exclusive automated design, paired with Room Designer software, provides complete deployment design based on basic room data. The final result includes device quantity, placement, audio links, reducing deployment learning costs for easy and efficient audio solution design.

### One-button Custom Deploy

Yealink AP08 supports effortless plug-and-play deployment. Simply connect a set of Yealink SkySound audio devices to the same network, and within minutes, the audio links are automatically established and customized for room acoustics. This feature saves time, effort, and significantly reduces deployment costs.

### Dante Audio for Teams Room

Enhance your audio experience with Yealink's native Teams meeting room solution, seamlessly integrated with MVC. Complete room audio control through the MVC control panel, supporting synchronized mute, automatic EQ, and advanced features for a comprehensive audiovisual conferencing experience.

## Specifications

### Dante Channels

- Input Channels: 16 Dante input
  - 8 AEC channels
- Output Channels: 16 Dante output
- Frequency Response: 50-20KHz
- THD+N: < 1%
- Sampling Rate: 48KHz
- Bit Depth: 24bit
- Dynamic Range: 86dB

### Analog Channels

- Input Channels: 2 \* RCA input
  - 2 \* 3-pin Analog input
- Output Channels: 2 \* RCA output
  - 2 \* 3-pin Analog output
- Frequency Response: 20-20KHz
- THD+N: < 1%
- Input Dynamic Range: 96dB
- Output Dynamic Range: 98dB
- Self-Noise: RCA (Unbalanced): -94dBu
  - Analog (Balanced): -86dBu
- Input Clipping Range: 0 to 64dB
- Output Sensitivity Range: -40dBu to 24dBu
- Phantom power: +48VDC 10 mA max

### USB Channels

- Input Channels: 2 \* USB input
- Output Channels: 2 \* USB output
- Sampling Rate: 48KHz
- Bit Depth: 16bit/24bit

### Control Ports

- MGMT: RJ-45 for API control
- RS232: 1\* 3-pin Poenix port
- GPIO in: 8-pin Poenix port, 1-8 inputs, Analog input or contact closure (up to 24V) with switchable 5V pull-up
- GPIO out: 8-pin Poenix port, 1-8 outputs, open-drain output (up to 24V, 0.3A), default state +3.3V
- +12VDC: 0.1A
- GND: Earth

### LAN Ports

- LAN 1-3: Dante network port
- Power Supply: Support IEEE802.3at PSE
  - Total maximum PSE 90W

### Product Information

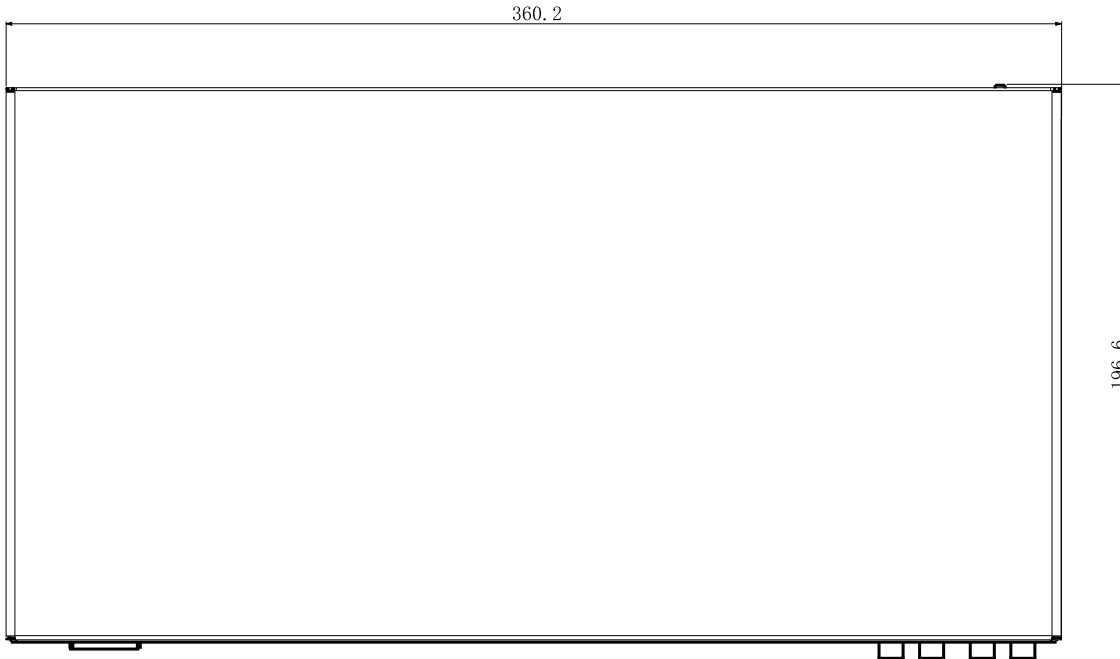
- Size : L360\*W189\*H44mm
- Weight : 2.2kg
- Color: Advanced Black
- Material: SGCC
- Operating Temperature: 0-40°C
- Operating humidity: 0-93% RH
- Power Supply: 100-240 V, 50/60 Hz, 2A
- Rated Power (Full-load): 105W
- Rated Power (No-load): 15W (Typical 12W)

### Logistic Information

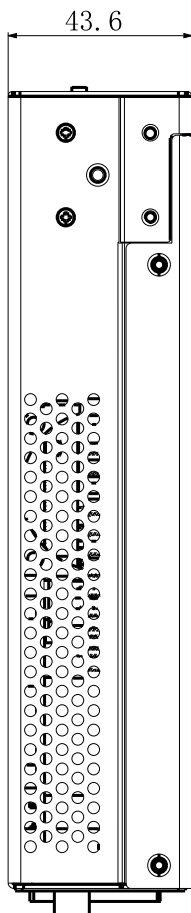
- Giftbox: 410\*325\*70mm
- Weight: N.W/CTN 2.8kg
  - G.W/CTN 3.2kg
- Storage Temperature: -30-70°C

## Dimensions

Unit: mm



## Interface

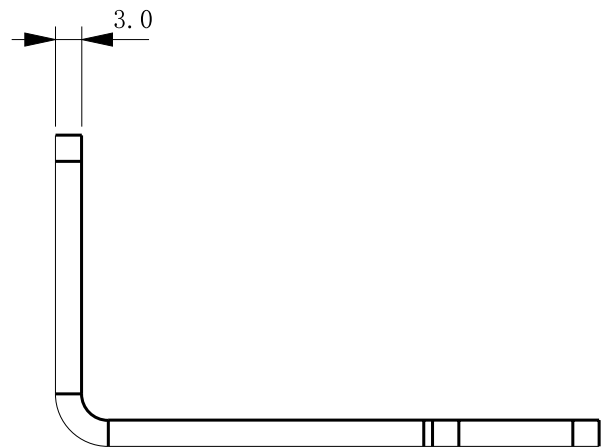
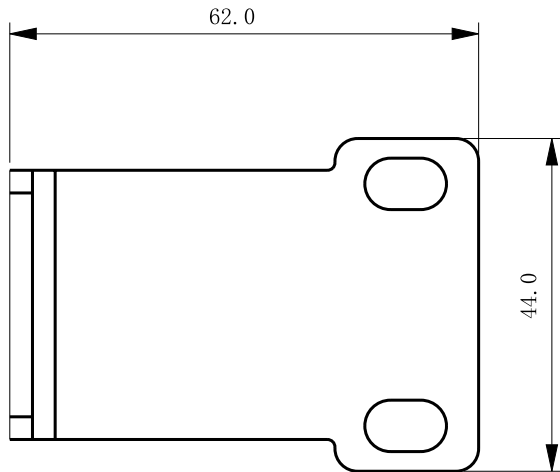


RCA in	2 * RCA unbalanced analog input
RCA out	2 * RCA unbalanced analog output
Analog in	2 * 3-Pin Phoenix connectors for balanced analog input, supports 48V phantom power
Analog out	2 * 3-Pin Phoenix connectors for balanced analog input.
GPIO in	1-8 input, simulated input or contact closure (maximum 24V), switchable 5V pull-up
GPIO out	1-8 output, open-drain output (maximum 24V, 0.3A), default +3.3V
+12VDC	0.1A
GND	Earth ground
RS-232	Interface control
USB Type-B	2 * USB 3.0 device interfaces
MGMT	Network Interface Control
LAN	3 * RJ-45 Dante PoE+ powered interfaces
Power	100-240 V, 50/60 Hz, 2A

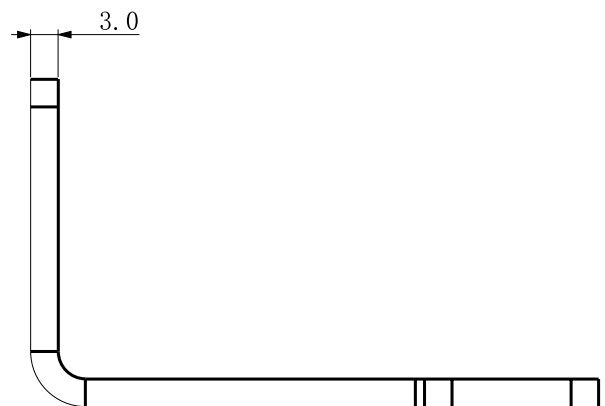
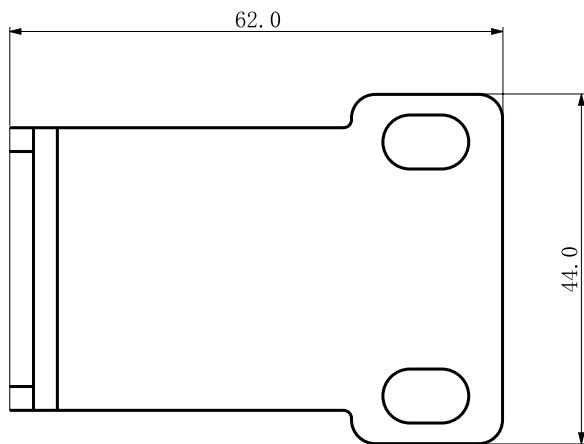
## Accessory Dimensions

Unit: mm

Mounting ear-left



Mounting ear-right





## About Yealink

Yealink (Stock Code: 300628) is a global-leading provider of Unified Communication & Collaboration Solutions specialized in video conferencing, voice communications, and collaboration, dedicated to helping every person and organization embrace the power of "Easy Collaboration, High Productivity".

With best-in-class quality, innovative technology, and user-friendly experiences, Yealink is one of the best providers in more than 140 countries and regions, ranks No.1 in the global market share of IP Phone, and is the Top 5 leader in the video conferencing market (Frost & Sullivan, 2021).

For more information about Yealink, [click here](#).

## Copyright

Copyright © 2025 YEALINK(XIAMEN) NETWORK TECHNOLOGY CO., LTD.

All rights reserved. No parts of this publication may be reproduced or transmitted in any form or by any means, electronic or mechanical, photocopying, recording, or otherwise, for any purpose, without the express written permission of Yealink(Xiamen) Network Technology CO., LTD.

## Technical Support

Visit Yealink WIKI (<http://support.yealink.com/>) for firmware downloads, product documents, FAQ, and more. For better service, we sincerely recommend you to use Yealink Ticketing system (<https://ticket.yealink.com>) to submit all your technical issues.



YEALINK(XIAMEN) NETWORK TECHNOLOGY CO.,LTD.  
Web: [www.yealink.com](http://www.yealink.com)  
Addr: No.666 Hu'an Road, High Tech Park,  
Huli District, Xiamen, Fujian, P.R.C  
Copyright©2025 Yealink Inc. All rights reserved.