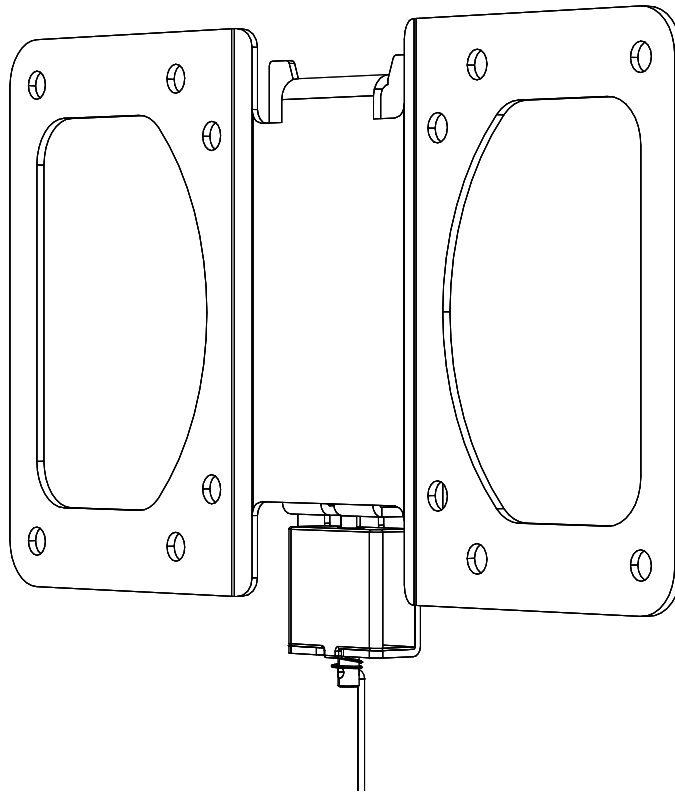




SM-FLAT2-S

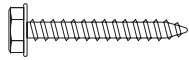
Strong™ Small Low Profile Flat Mount



Install Guide

Hardware kit

Bag 1



Lag bolt (x3)



Concrete wall anchor (x3)



M4 x 12mm Philips head screw (x4)



M4 x 15mm Philips head screw (x4)



M4 x 20mm Philips head screw (x4)



M5 x 12mm Philips head screw (x4)

Bag 2



M5 x 15mm Philips head screw (x4)



M5 x 20mm Philips head screw (x4)



M6 x 12mm Philips head screw (x4)



M6 x 15mm Philips head screw (x4)



M6 x 20mm Philips head screw (x4)



M5 (16 x 5.3 x 1.5mm) metal washer (x8)



M8 (20 x 8.4 x 2mm) metal washer (x8)



M5 spacer (x8)



M8 spacer (x8)

Warnings

- We highly recommend this product be installed by a qualified professional.
- Do not begin installation until you have thoroughly read and understood these instructions.
- This mount supports display mounting from VESA 75x75, 100x100 and up to 200x100 and supports a maximum load of 40 lb (18.2 kg).
- Ensure the wall that you plan to use can safely support four times the combined weight of the mount and display.
- The manufacturer does not accept responsibility for incorrect installation.

Specifications

- Maximum load: 40 lb (18.2 kg)
- Profile: 0.6"

Tools required

- Power drill
- 3/16" (5mm) drill bit
- 5/16" (8mm) masonry bit
- Phillips head screwdriver
- 10 mm socket
- Level

Box contents

- Wall plate (x1)
- Adapter plate (x1)
- Hardware kit (x1)

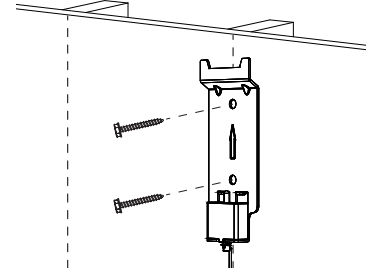
Installation

Mark the mounting hole locations

Use the wall plate to mark the mounting hole locations. The use of a stud finder is highly recommended.

Mounting on a stud wall

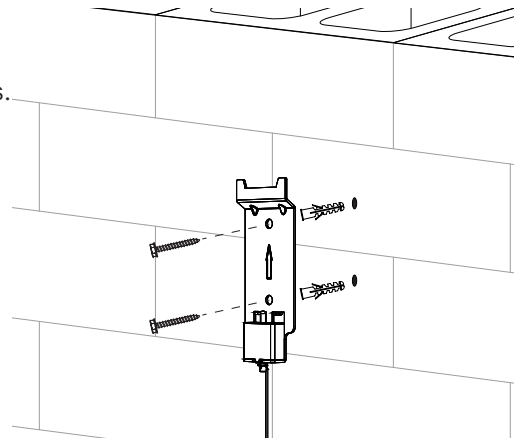
1. Pre-drill two holes into the center of the stud using a 3/16" drill bit.
2. Orient the wall plate so that the arrow is pointing up. Using two lag screws fasten the wall plate to the wall.



Warning: Tighten the screws so that the wall plate is firmly attached, but do not over tighten. Over tightening can damage the screws, greatly reducing their holding strength.

Concrete wall mounting

1. Pre-drill two holes into the concrete using 5/16" drill bits. Insert concrete wall anchors and tap them in with a hammer, if necessary.



Warning: When installing the wall plate on cinder block, verify there is a minimum of 1-3/8" of concrete thickness for the concrete wall anchors. Do not drill into mortar joints!

Be sure to mount in a solid part of the block, at least 1" minimum from the side of the block. Cinder block must meet ASTM C-90 specifications. Use a standard electric drill on a slow setting to drill the hole, instead of a hammer drill, to avoid breaking out the back of the hole when entering a void or cavity.

Concrete must be 2000 psi density minimum. Lighter density concrete may not hold the concrete anchor.

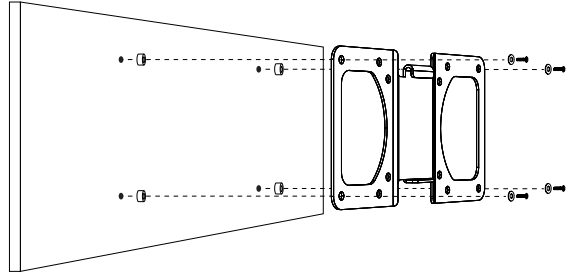
Make sure that the supporting surface can safely support the combined load of the equipment and all of the attached hardware and components.

2. Orient the wall plate so that the arrow is pointing up. Using two lag screws, fasten the wall plate to the wall.

Warning: Tighten the screws so that the wall plate is firmly attached, but do not over tighten. Over tightening can damage the screws, greatly reducing their holding strength.

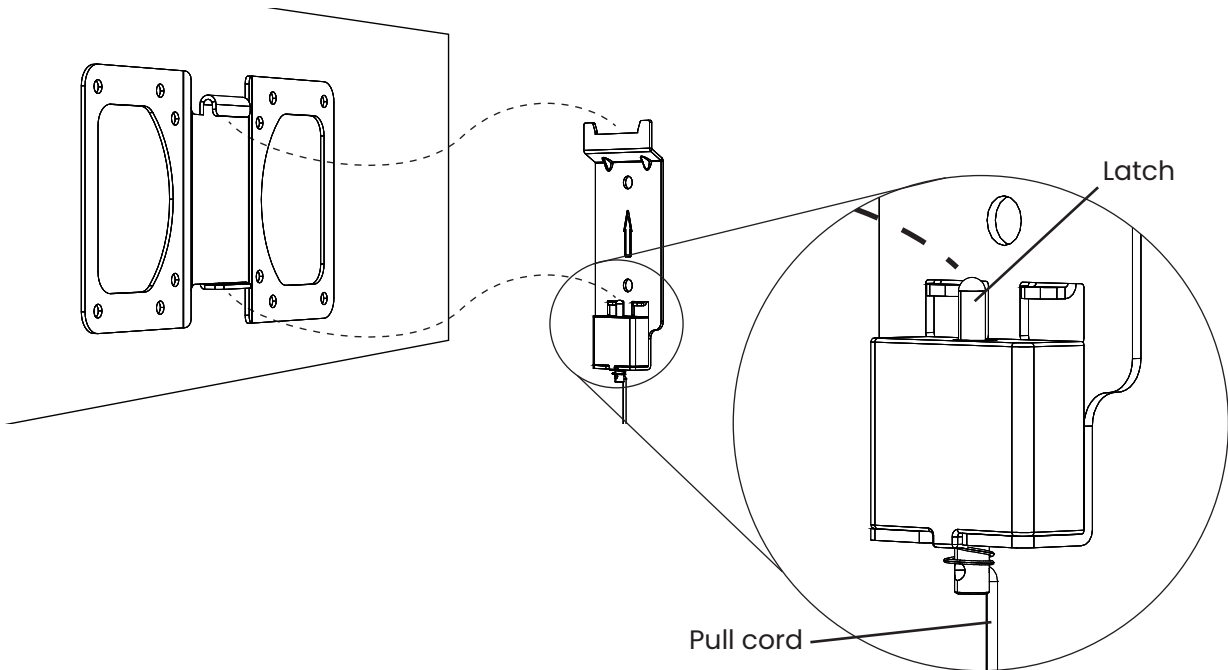
Attach the adapter plate to the display

Attach the adapter plate to the display using M4, M5, or M6 screws. For displays with a hole pattern in a pocket or inputs behind the adapter plate, spacers go between the adapter plate and display.



Attach the adapter plate and display to the wall plate

1. Attach the adapter plate's top hook onto the wall plate's top hook.
2. While pulling down on the pull cord, move the adapter plate's bottom hole into position above the latch and release the pull cord. Ensure that the adapter plate is secured to the wall plate.



Technical Support

For chat and telephone, visit snp1.co/techsupport • Email: TechSupport@SnapOne.com. Visit snp1.co/tc for discussions, instructional videos, news, and more.

Warranty and Legal Notices

Find details of the product's Limited Warranty at snapone.com/legal/ or request a paper copy from Customer Service at 866.424.4489. Find other legal resources, such as regulatory notices and patent and safety information, at snapone.com/legal/.

Copyright ©2024, Snap One, LLC. All rights reserved. Snap One its respective logos are registered trademarks or trademarks of Snap One, LLC (formerly known as Wirepath Home Systems, LLC), in the United States and/or other countries. 4Store, 4Sight, Control4, Control4 My Home, SnapAV, Strong, and OvrC are also registered trademarks or trademarks of Snap One, LLC. Other names and brands may be claimed as the property of their respective owners. Snap One makes no claim that the information contained herein covers all installation scenarios and contingencies, or product use risks. Information within this specification subject to change without notice. All specifications subject to change without notice.