

# DENON®

## DNP-800NE

NETWORK AUDIO PLAYER

# Quick Start Guide

Guide de démarrage rapide / Guía de inicio rápido

## Read Me First....

Lisez-moi en premier.... / Lea esto primero....

ENGLISH

FRANÇAIS

ESPAÑOL

# Welcome

Thank you for choosing a Denon network audio player. This guide provides step-by-step instructions for setting up your network audio player.

**Please do not return this unit to the store – call for assistance.**

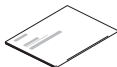


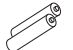
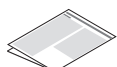





**If you need help... :**

If you need additional help in solving problems, contact Denon customer service in your area.


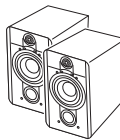


[www.denon.com](http://www.denon.com)

# Before You Begin

## What's In the Box

Quick Start Guide		Remote control unit (RC-1224)	
Safety Instructions		R03/AAA batteries	
Notes on radio		Audio cable	
Warranty (for North America model only)		IR control cable	
Network audio player		External antennas for Bluetooth/wireless connectivity	

## Required for Setup

			
Amplifier	Speaker systems	Speaker cables	Router

## Optional



- These drawings are for illustrative purposes only and may not represent the actual product(s).

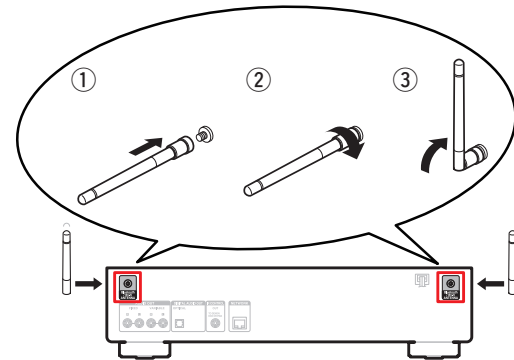
## Important: External Antennas

The removable external antennas are required for both Bluetooth and Wireless network connectivity. Please make sure to connect the antennas before attempting to use the Bluetooth or Wi-Fi features of the DNP-800NE.

### Connecting the external antennas for Bluetooth/Wireless connectivity

For each of the two antennas:

- ① Place the antenna evenly over the antenna terminal located at the upper left or right corner of the rear panel.
- ② Turn the antenna clockwise until it is fully connected. Do not over tighten.
- ③ Rotate the antenna upwards for the best possible reception.

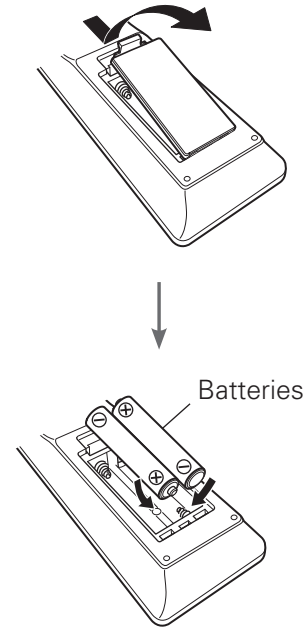


# Setup

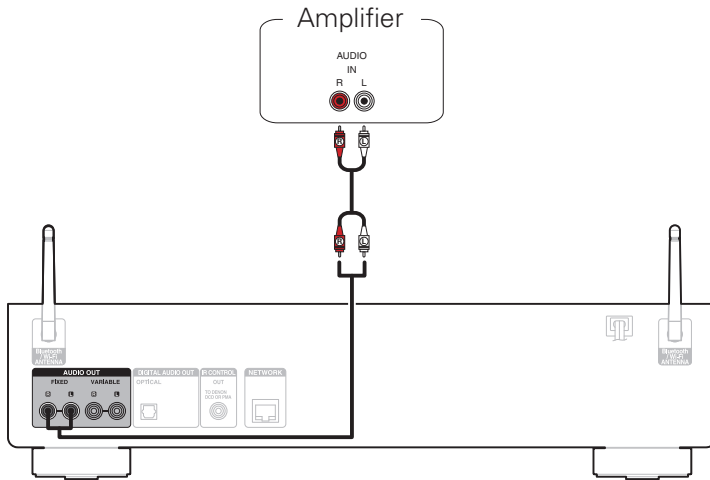
There are six steps to the setup process.

- 1** Installing batteries in the remote control unit
- 2** Connect to the amplifier
- 3** Plug the power cord into a power outlet
- 4** Connect to the network
- 5** Enjoying your music!
- 6** Download the HEOS App

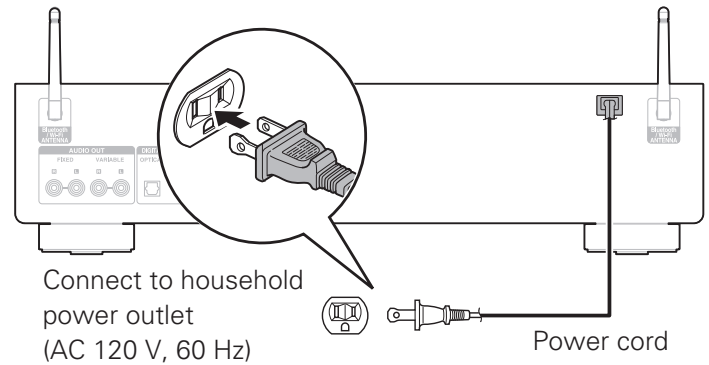
## **1** Installing batteries in the remote control unit



## 2 Connect to the amplifier

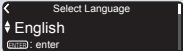


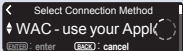


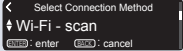






## 3 Plug the power cord into a power outlet

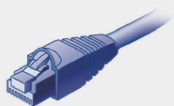


# 4 Connect to the network

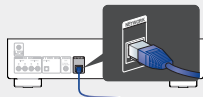
Choose from one of the following options.

Wireless	
<p><b>1</b> Power on.</p>	
<p><b>2</b> Select language. (Please wait as starting the network settings can take a few minutes.)</p>  	
<p>iOS device iOS version 7 or later</p> 	<p><b>3</b> Make sure your iOS device is connected to your Wi-Fi Network. Select the network named "Denon DNP-800NE" from the Settings/ Wi-Fi screen on your device.</p>  
<p>No WPS router</p> 	<p><b>3</b> Select "Wi-Fi - scan" and wait as your DNP-800NE looks for available networks.</p>  
<p>WPS router</p> 	<p><b>3</b> Select "WPS Router".</p>  

## Wired



- 1 Connect a network cable between your DNP-800NE and your router. (cable not included)



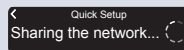
- 2 Power on.
- 3 Select language.
- 4 Please wait while your DNP-800NE connects to your wired network.

**Connected!**

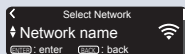
- 4 Follow the instructions and tap Next.



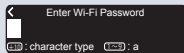
- 5 Please wait as completing the connection can take a few minutes. (The front panel of the DNP-800NE will show the status of the connection.)



- 4 Select your network name. (If your network name is not listed, select "Rescan".)

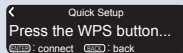


- 5 Enter your network password using the number keys on the remote control.

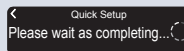


**Wi-Fi  
Connected!**

- 4 Press the WPS button on your router. Within 2 minutes, press the ENTER button.



- 5 Please wait as completing the connection can take a few minutes. (The front panel of the DNP-800NE will show the status of the connection.)



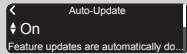
Press the ENTER button.



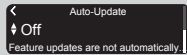
If the signal strength of your wireless network is weak, to improve reception, please turn the antenna on the back of your DNP-800NE or move your router to the DNP-800NE.

## Auto-Update Setting

- 1 Turns on Auto-Update so that future updates are automatically downloaded and installed when your DNP-800NE is in standby mode.

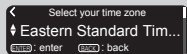


Select "On" to turn on Auto-Update.



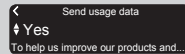
Select "Off" to turn off Auto-Update.

- 2 Sets the time zone that matches the area where you live.

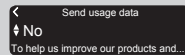


## Usage Data Setting

To help us improve our products and customer service, Denon collects anonymous information about how you use your DNP-800NE. Denon will never provide any information we collect to third parties.



Select "Yes" to provide information on the operating status of this unit.



Select "No" to not provide information on the operating status of this unit.

**Setup Complete!**





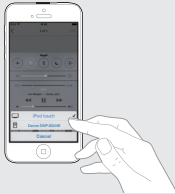
## 5 Enjoying your music!

### ❑ Enjoying Internet Radio

- 1 Press **INTERNET RADIO**.
- 2 Select the station you want to play, then press **ENTER**.
- 3 Select **"Play Now"**, then press **ENTER**.



### ❑ Enjoying music using Apple AirPlay

- 1 Open Control Center (iOS 7 and later) by swiping up from the bottom of your screen, then tap **AirPlay**.  
[Example] iOS 11   
[Example] iOS 9 
- 2 Select the **"Denon DNP-800NE"** from the AirPlay Device list.  

- 3 Play the song on your iPhone, iPod touch or iPad.

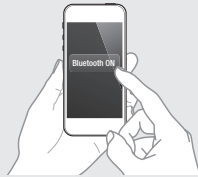
## ❑ Enjoying music using Bluetooth

### 1 Press Bluetooth to select Bluetooth.

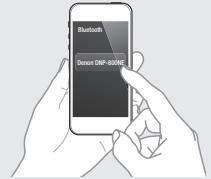
When using for the first time, the unit will go into the pairing mode automatically and “Bluetooth Pairing Mode” will appear on the display of the unit.



### 2 Activate Bluetooth on your mobile device.



### 3 Select “Denon DNP-800NE” from the Bluetooth device list on your mobile device.



### 4 Play music using any app on your device.



- To pair with other Bluetooth devices, press and hold Bluetooth on the remote control until “Bluetooth Pairing Mode” is displayed on the unit.

## 6 Download the HEOS App

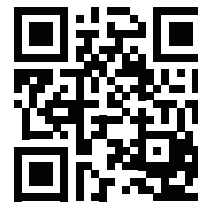


The HEOS App lets you control your DNP-800NE from anywhere in your home. Use HEOS to explore, browse, and play music from many online streaming services or from your own music library.

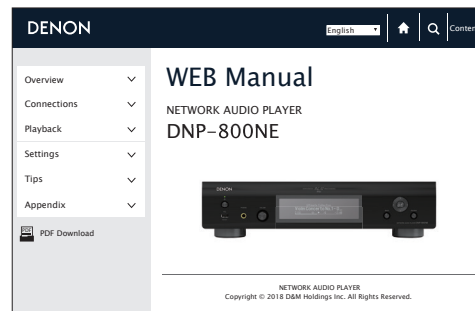


## Owner's Manual

- For more information, visit [www.denon.com](http://www.denon.com)
- Refer to the Online Manual for other functions information and operation procedure details. [manuals.denon.com/DNP800NE/NA/EN/](http://manuals.denon.com/DNP800NE/NA/EN/)



Online Manual



**DENON®**  
[www.denon.com](http://www.denon.com)

Printed in Vietnam 5411 11669 00AD  
Copyright © 2018 D&M Holdings Inc. All Rights Reserved.