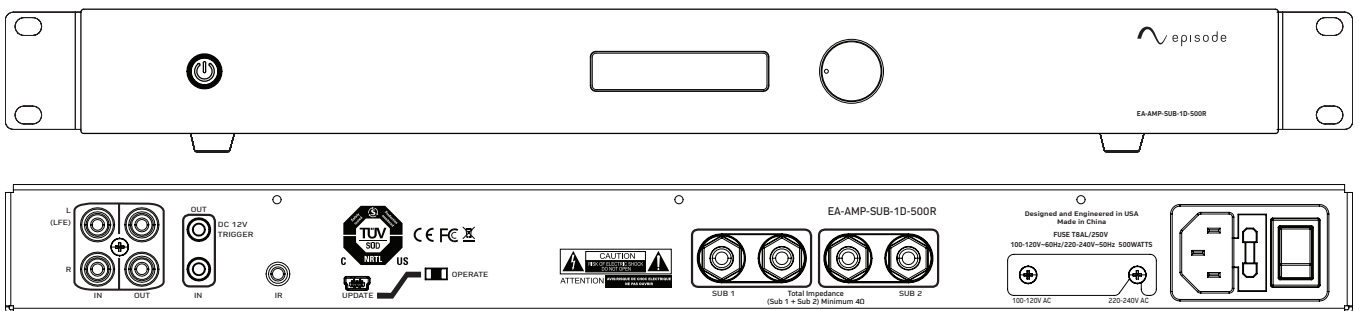


episode

CONTROL PROTOCOL EA-AMP-SUB-1D-500R



REAL. LIFE. SOUND.

CONTENTS

Overview	4
IR Connections and Setup.....	4
IR Connections and Controls.....	4
IR Applications.....	4
In-Room IR Receiver with IR Remote	4
Programmed Automation Controller	4
IR Hex Codes	5
IR Device ID =1	5
IR Device ID =2	7
IR Device ID =3	9
IR Device ID =4	11
Contacting Technical Support.....	12

OVERVIEW

This protocol provides the information required to control an EA-AMP-SUB-1D-500R amplifier via IR through a connected IR receiver or Automation System. Follow the instructions carefully to ensure that IR will function at the highest level, and not cause damage to the amplifier or other components.

IR CONNECTIONS AND SETUP

IR Connections and Controls

Connect an IR Receiver via IR repeater. Connect the IR repeater to the IR port on the amplifier with a 3.5mm mono mini cable.

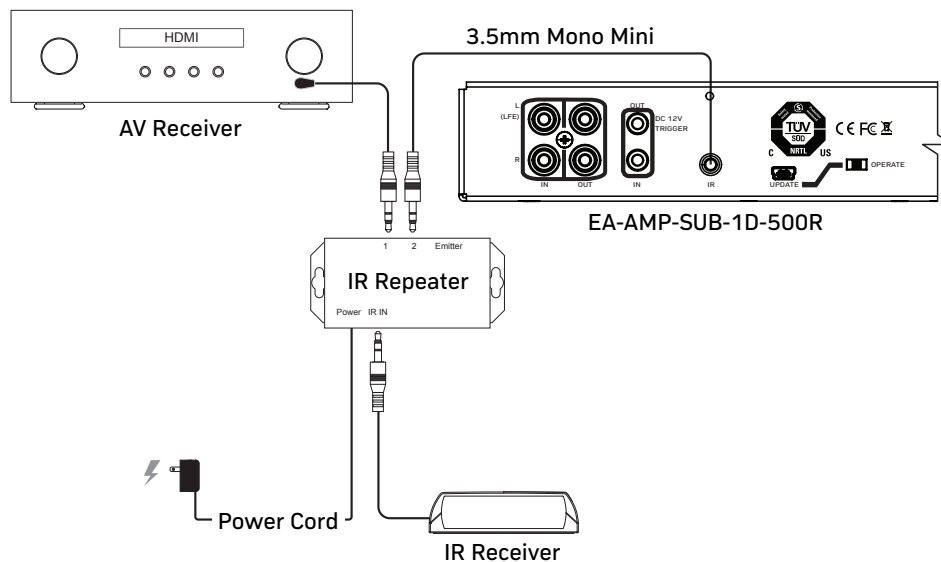
IR APPLICATIONS

In-Room IR Receiver with IR Remote

To control the amplifier with an in-room IR remote (commands transmit directly from the remote):

1. Connect an IR receiver via IR repeater.
2. Connect the IR repeater to the IR port on the amplifier with a 3.5mm mono mini cable.
3. Position the receiver so that commands are received reliably.
4. Control additional equipment by attaching an IR flasher to the IR Out port of the repeater.

IR Repeater Connections

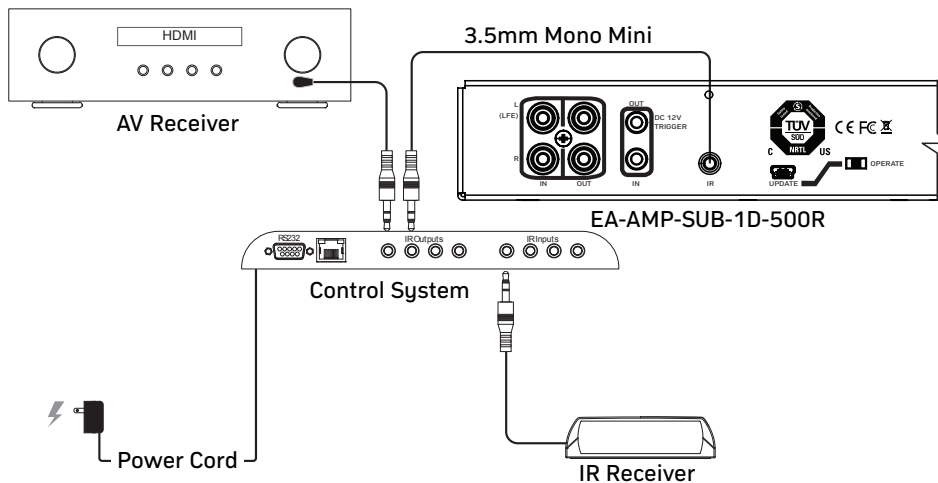


Programmed Automation Controller

To control the amplifier with a control system:

1. Connect a 3.5mm mono mini cable from the flasher output of the controller to the IR In port on the amplifier.
2. Program the control system using the IR control protocol.

Control System Connections



CONTACTING TECHNICAL SUPPORT

Phone: (866) 838-5052

Email: Techsupport@snapav.com

