

# GOLD MONITOR

IN-ROOM, IN-WALL



## GOLD MONITOR

IN-ROOM, IN-WALL

Triad's Gold Monitors are the benchmark of custom speakers—distinguished among the industry for high-fidelity audio. These speakers may be used full range in mid-sized, high-end media rooms or paired with Triad Subs in larger rooms for stunning, articulate rendering of music and movie soundtracks. Each monitor uses two Scan-Speak Revelator® drivers, acclaimed as some of the finest performers in the business, and a revolutionary Scan-Speak ring radiator tweeter with response extending to 50 kHz.

Handcrafted in the US using the finest materials and components, Triad's fully engineered, sealed, and internally braced MDF enclosures deliver intricate acoustics and effortless playback, actualizing the artist's intent. Triad's Gold Monitors offer a professional-grade audiophile experience, achieving unobtrusive elegance while retaining the integrity of sound.

Triad's Gold Monitors will reveal superior levels of detail and dynamics, making familiar music new, their studio-grade design maintaining faithful reproduction at all playback levels, from a whisper to a roar.

## FEATURES

- Compact design
- Fully engineered, premium MDF enclosure
- Acoustic suspension
- Custom paint matching available
- Braced enclosure keeps sound from bleeding into adjacent rooms

### IN-ROOM

- Acoustic cloth grill
- Three-way design
- Veneer finishes available

### IN-WALL

- AcoustiPerf frameless metal grill
- Two-way design

# GOLD MONITOR IN-ROOM, IN-WALL

## SPECIFICATIONS

	<b>MATERIALS</b>	<b>IN-ROOM</b>	<b>IN-WALL/6</b>
	Tweeter size	(1) 1" (25 mm)	(1) 1" (25 mm)
	Tweeter type	Fabric dome	Fabric dome
	Woofer size	(2) 6 1/4" (16 cm)	(2) 6 1/4" (16 cm)
	Woofer type	Paper/fiber blend	Paper/fiber blend
	<b>PERFORMANCE</b>	<b>IN-ROOM</b>	<b>IN-WALL/6</b>
	Recommended amplifier power	100 - 400W	100 - 400W
	Impedance	4 ohms	4 ohms
	Sensitivity (dB @ 2.83V, 1 m)	92 dB	92 dB
	Frequency response (+/- 3 dB)	60 Hz - 30 kHz	60 Hz - 20 kHz
	<b>DIMENSIONS</b>	<b>IN-ROOM</b>	<b>IN-WALL/6</b>
	Cabinet specifications (L x W x D)	19 3/8" x 9 7/8" x 12 1/4" (49.2 x 25.1 x 31 cm)	26 x 13 1/2" x 5 15/16" (66 x 34.3 x 15 cm)
	Hole cutout (L x W)	-	26 1/8" x 13 3/4" (66.3 x 34.6 cm)
	Frameless grill dimensions (L x W)	-	26 11/16" x 14 3/16" (67.8 x 36.1 cm)
	NCB size	-	P
	Product weight (ea.)	40 lb (18.1 kg)	35 lb (15.9 kg)
	Shipping weight (ea.)	43 lb (19.5 kg)	39 lb (17.7 kg)
	<b>PRODUCT NUMBERS</b>	<b>IN-ROOM</b>	<b>IN-WALL/6</b>
	Painted finish	<a href="#">26005-4000-2</a>	<a href="#">46505-1000-3</a>
	Veneer finish	<a href="#">26005-6000-2</a>	-
	Pedestal (6")	<a href="#">26028-4000-2</a>	-

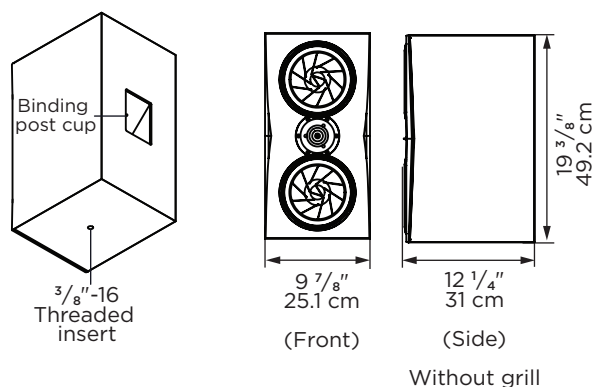
Product page



triadspkrs.co/  
gldmon

## DIMENSIONS

IN-ROOM



IN-WALL

