

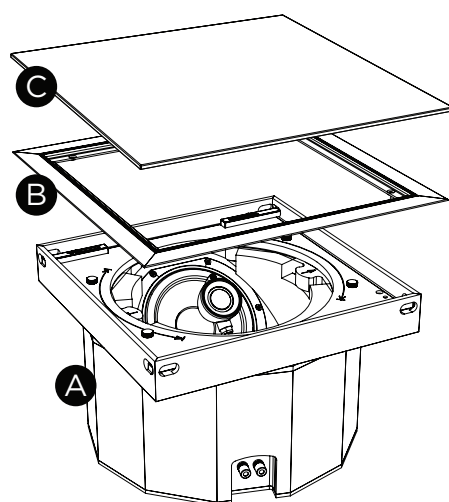
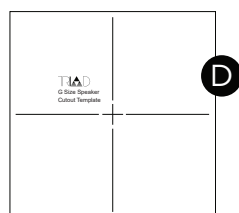
# TRIAD QUICK START GUIDE - IN-CEILING ROTATING SILVER/9 SAT

## OVERVIEW

When installing home theater in-ceiling speakers, sometimes the perfect location is just not available. From ducting to pipes and light fixtures, there are obstacles that can prevent installing the speaker where it "should" be. The In-Ceiling Rotating Silver Sat is specifically designed to overcome these placement challenges and optimize the home theater experience. The In-Ceiling Rotating Silver Satellite speaker delivers the same exceptional sound of Triad's other Silver Satellite speakers but includes an independently aimable woofer and tweeter that rotate to direct sound toward the optimal listening area. To help with aiming, the Rotating Sat has a built-in, battery-powered laser that allows an installer to see precisely where the tweeter is aimed. This feature helps installers optimize the sound for the optimal seating location without the assistance of another person.

## IN THE BOX

- A - Enclosure (x1)
- B - Grill frame (x1)
- C - Grill (x1)
- D - Mounting template (x1)



## WARRANTY

### Triad Speakers warranty information

Limited Hardware Warranty—Triad Speakers warrants its hardware product to be free from defects in material and workmanship during the warranty period. If the hardware proves to be defective in material or workmanship during the warranty period, Triad Speakers will, at its sole option, repair or replace the product with a like product. The warranty extends only to products purchased directly from Control4 Corporation or an Authorized Control4 Dealer. For complete limited warranty information, including details on purchaser legal rights as well as limited warranty exclusions, visit <http://Triadspkrs.co/warranty>.

### Return Merchandise Authorization (RMA) information

For Sales RMAs contact your Inside Sales Associate. Your ISA information can be found in the My Account section of the Dealer Portal under Control4 Contacts.

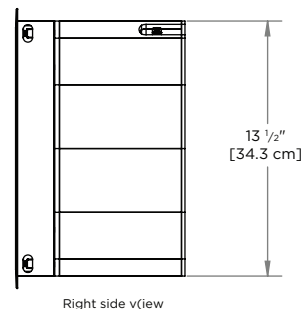
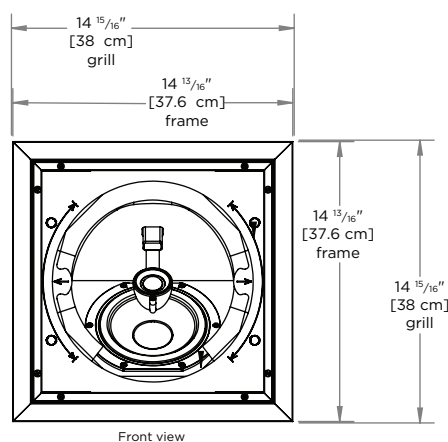
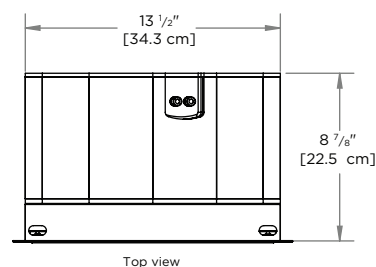
### Technical Support information

Phone: 503-517-2668  
Hours: 9:00 a.m. - 5:30 p.m. PST (Monday - Friday)  
Email: [service@triadspeakers.com](mailto:service@triadspeakers.com)

## ACCESSORIES NEEDED

- **9-volt battery** (for operating tweeter laser)

## DIMENSIONS - IC ROTATING SILVER/9 SAT



## SPECIFICATIONS - IC ROTATING SILVER/9 SAT

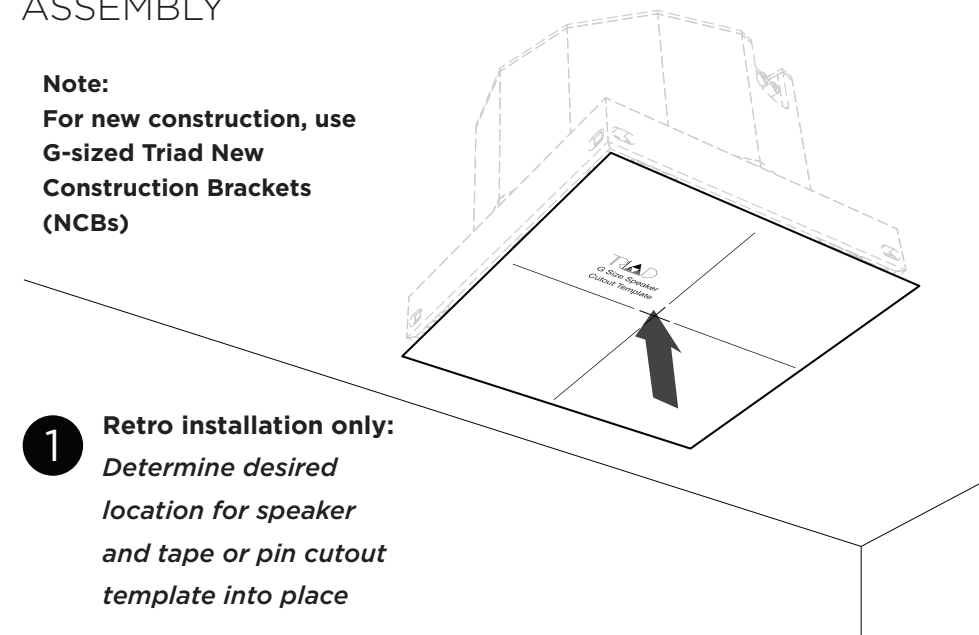
|                                  |                                |                                 |                       |
|----------------------------------|--------------------------------|---------------------------------|-----------------------|
| Enclosure size - in. (H x W x D) | <b>13 1/2 x 13 1/2 x 8 7/8</b> | Woofer size (in.)               | <b>6.5" nominal</b>   |
| Enclosure size - cm (H x W x D)  | <b>34.3 x 34.3 x 22.5</b>      | Woofer material                 | <b>Fiber blend</b>    |
| Frameless grill size - in.       | <b>14 15/16 x 14 15/16</b>     | Recommended amplifier power (W) | <b>25 - 125</b>       |
| NCB size                         | <b>G</b>                       | Nominal Impedance (ohms)        | <b>8 ohm</b>          |
| Hole cutout size - in.           | <b>13 5/8 x 13 5/8</b>         | Minimum Impedance (ohms)        | <b>5.5 ohm</b>        |
| Product weight (ea.)             | <b>15.95 lbs (7.25 kg)</b>     | Sensitivity (dB @ 2.83V, 1 m)   | <b>86</b>             |
| Shipping weight (ea.)            | <b>22.6 lbs (10.27 kg)</b>     | Frequency Response              | <b>75 Hz - 20 KHz</b> |
| Tweeter size (in.)               | <b>1" nominal</b>              |                                 |                       |
| Tweeter material                 | <b>Fabric dome</b>             |                                 |                       |

Copyright ©2017, Control4 Corporation. All rights reserved. Control4 and the Control4 logo are registered trademarks or trademarks of Control4 Corporation or its subsidiaries in the United States and/or other countries. All other names and brands may be claimed as the property of their respective owners. All specifications subject to change without notice.

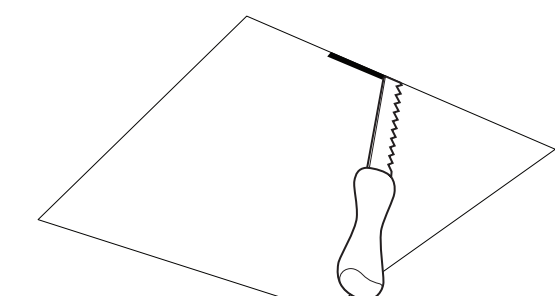
## ASSEMBLY

**Note:**  
For new construction, use **G-sized Triad New Construction Brackets (NCBs)**

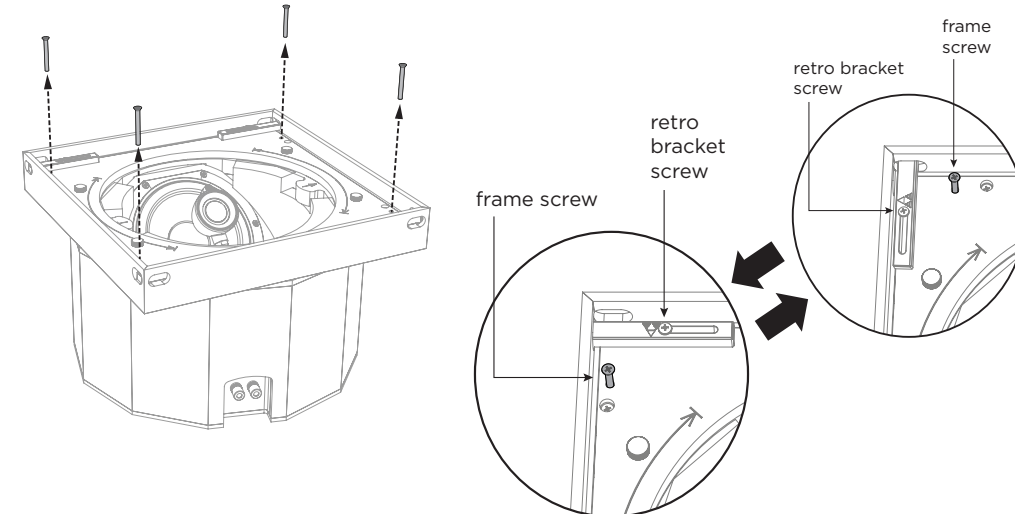
- 1** **Retro installation only:** Determine desired location for speaker and tape or pin cutout template into place



- 2** **Retro installation only:** Draw an outline around the template then remove the template, from ceiling. Follow the drawn lines to cut hole in drywall for the speaker.

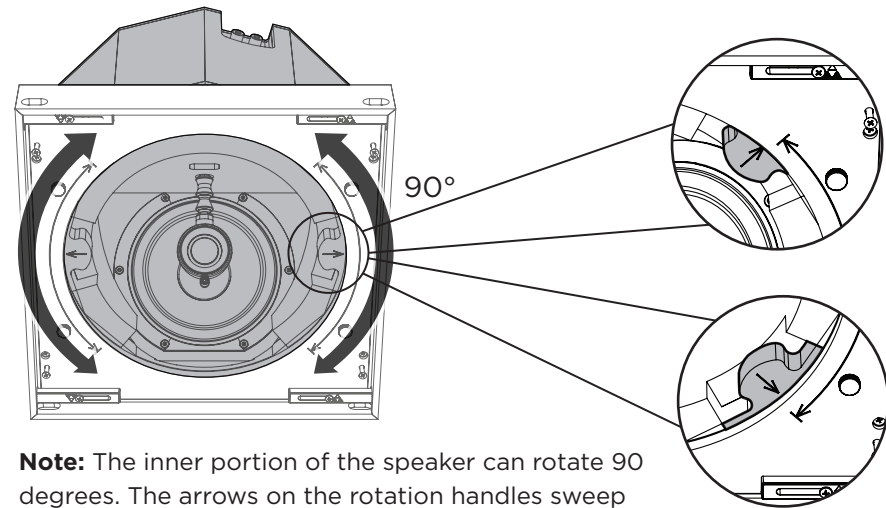


- 3** **New construction and Retro installation:** Remove the frame screws from the speaker. Note that the retro brackets can be switched to slide out the holes in the opposite wall.

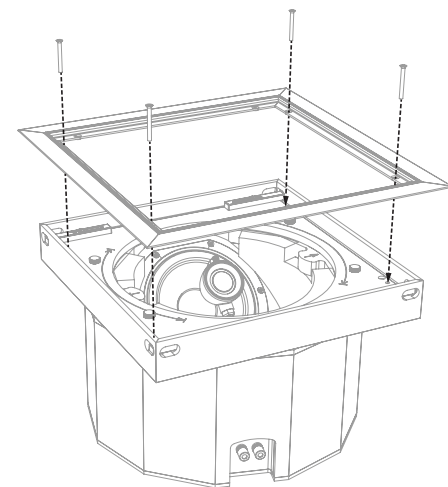


# TRIAD QUICK START GUIDE - IN-CEILING ROTATING SILVER/9 SAT

ASSEMBLY, cont.

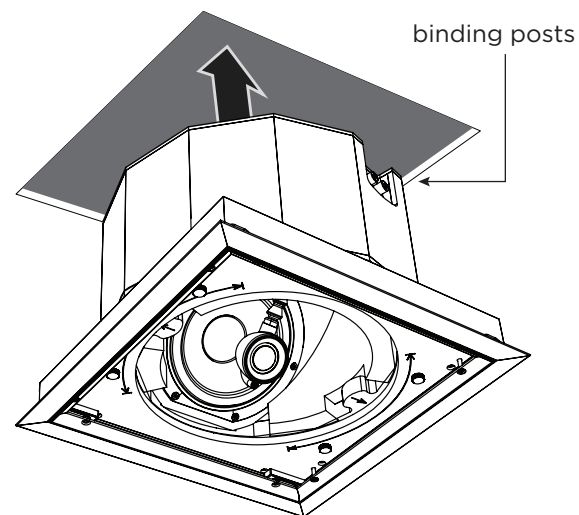


**Note:** The inner portion of the speaker can rotate 90 degrees. The arrows on the rotation handles sweep along the curved arrows on the mounting box and indicate the limit of the rotation.



**4** **LOOSELY** attach the frame to the speaker using the same screws removed in step 3. Before putting the speaker into the ceiling hole, be sure to consider the orientation of the drivers. If needed, switch the location of the retro brackets (see step 3) so the box can be oriented as needed.

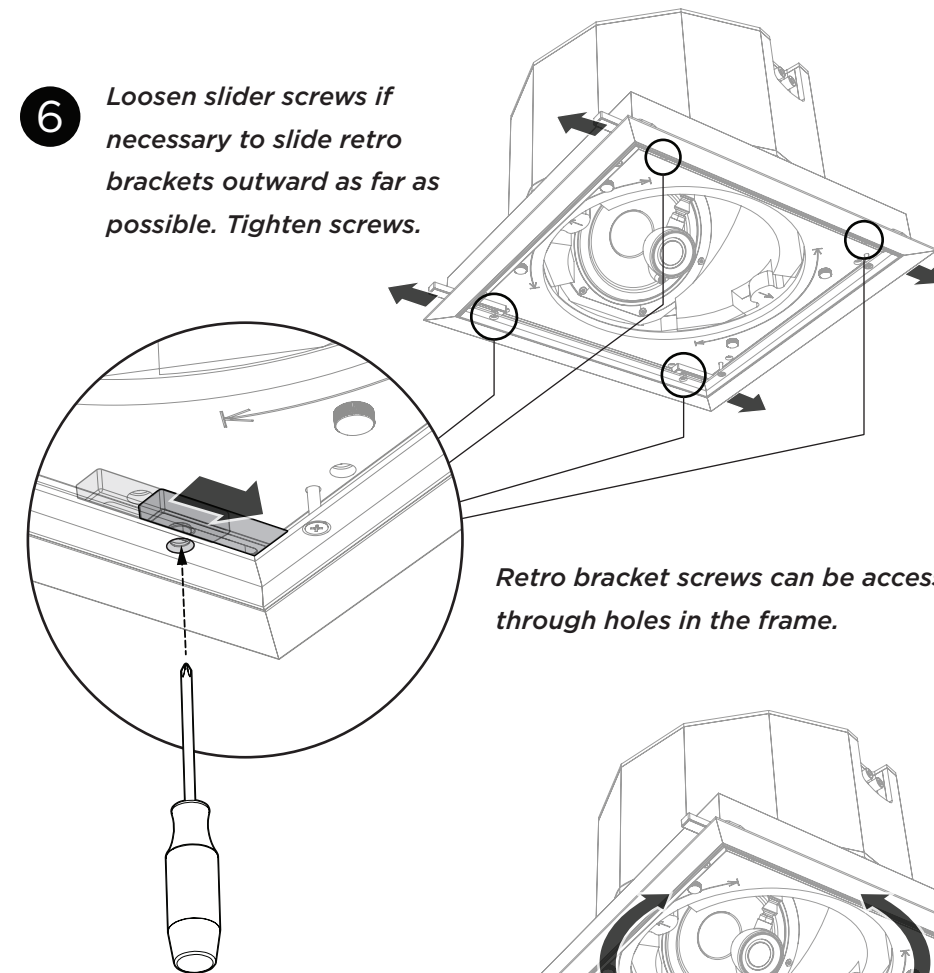
**5** Connect speaker wires to binding posts, keeping correct phase and polarity with amp (Red+ to Red+ & Black- to Black-). Make sure no loose strands are shorting between binding posts or conductors. Tighten binding posts. Put the speaker into the hole, making sure the woofer is facing in roughly the direction needed.



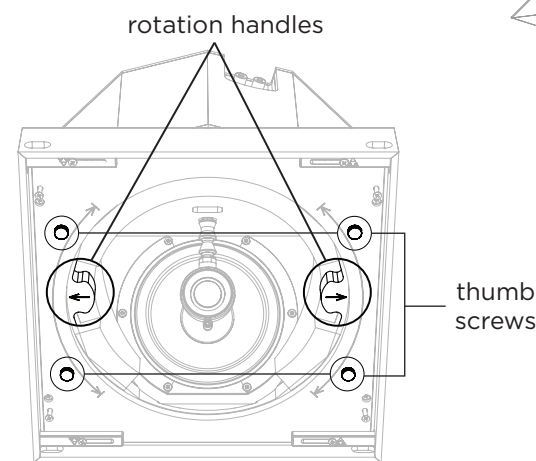
ASSEMBLY, cont.

**Note:** With standard 1.5 inch (38mm) long 8-32 Frame screws, our speakers fit up to 1.3 inch (33mm) thick wall or ceiling material, enough for 2 layers of 5/8 inch drywall. For thicker walls, replace with longer 8-32 screws. For example, 2 inch (51mm) 8-32 screws fit 1.8" (45.7mm) thick walls & ceilings. Minimum wall thickness is 1/2". Even if retro brackets or frame are not used, ALWAYS leave screws in all front baffle inserts to avoid chuffing noises

**6** Loosen slider screws if necessary to slide retro brackets outward as far as possible. Tighten screws.

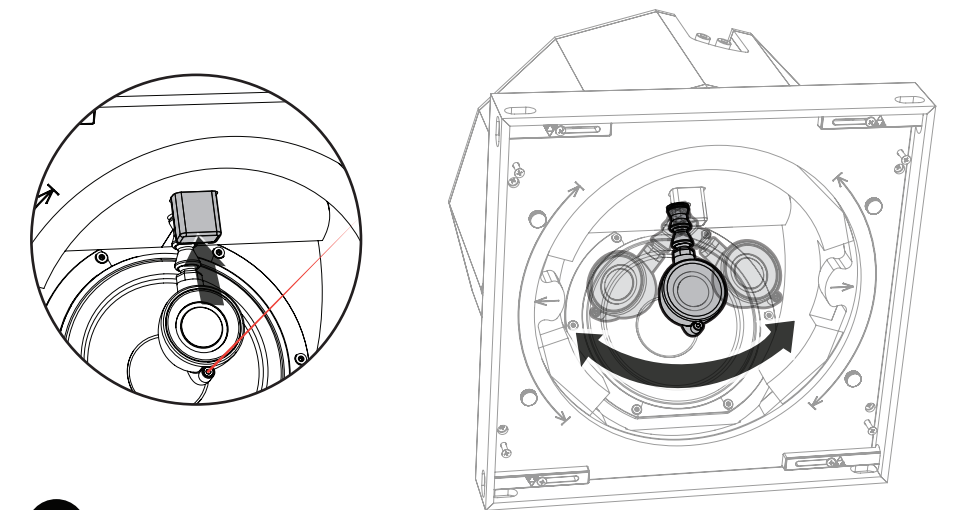


Retro bracket screws can be accessed through holes in the frame.



**7** Using rotation handles, rotate the speaker to point in the desired direction. Tighten the thumb screws when speaker is in position.

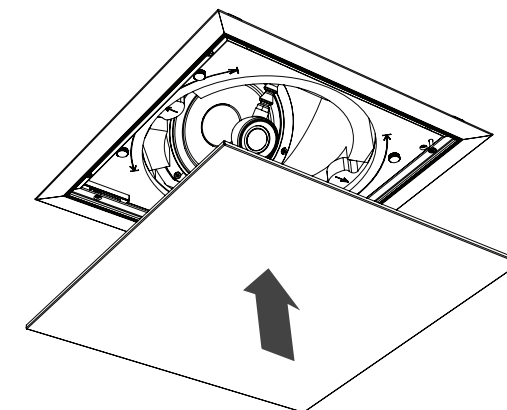
ASSEMBLY, cont.



**8** To activate the aiming laser, plug a 9-volt battery into the port in front of the tweeter. With the laser on, aim the tweeter to the desired location using the laser beam. When finished, remove the 9-volt battery.



**DANGER!**  
VISIBLE LASER RADIATION!  
AVOID DIRECT EYE EXPOSURE!  
Visible laser radiation is present when battery is attached to the terminal.



**9** Insert grill onto frame.