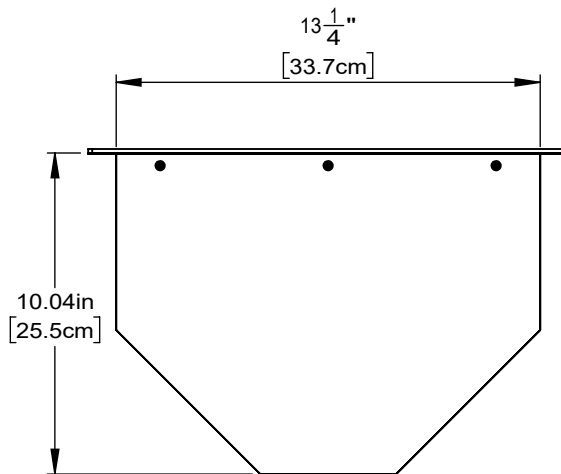
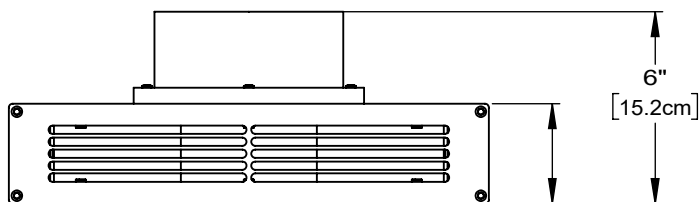
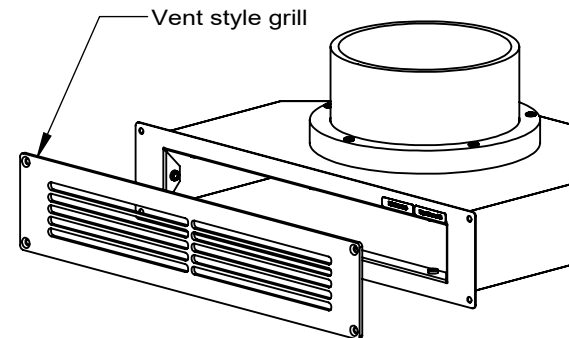


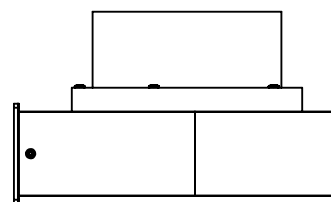
Top view



Bottom view

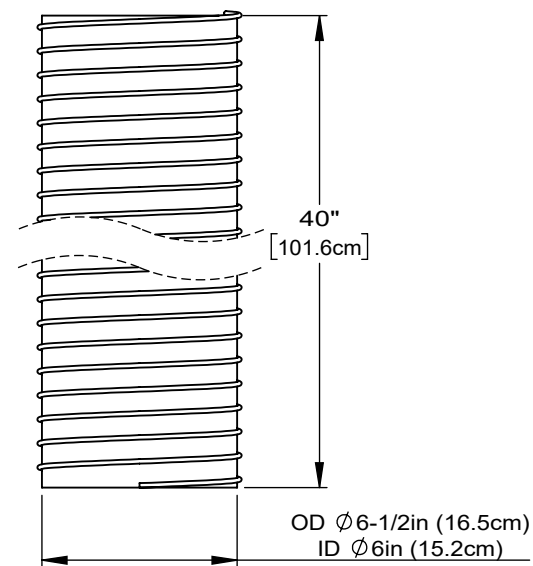


Front view



Right view

$3\frac{1}{8}$ "  
[7.9cm]



Flex tubing

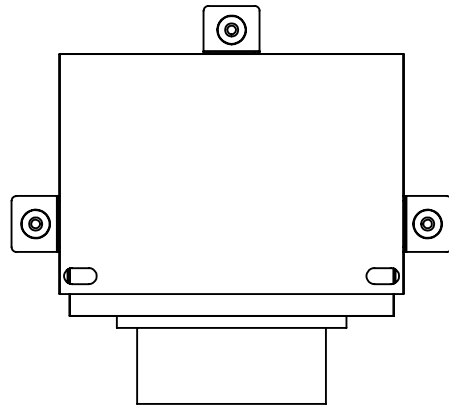
v1.0

**TRIAD**  
15835 NE CAMERON BLVD  
PORTLAND, OR 97230  
[www.triadaudio.com](http://www.triadaudio.com)  
503-256-2600

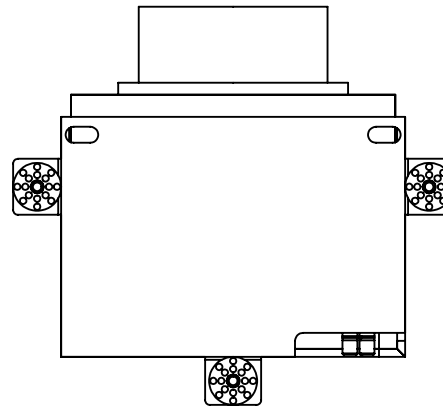
## Mini FlexSub Vent Style Grill

*Copyright ©2018, Control4 Corporation. All rights reserved. Control4, the Control4 logo, the 4-ball logo, Triad, and the Triad logo, are registered trademarks or trademarks of Control4 Corporation or its subsidiaries in the United States and/or other countries. All other names and brands may be claimed as the property of their respective owners. All specifications subject to change without notice*

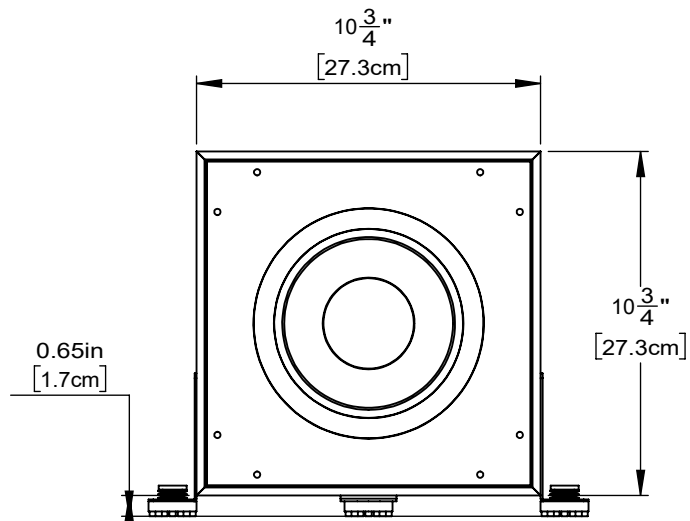
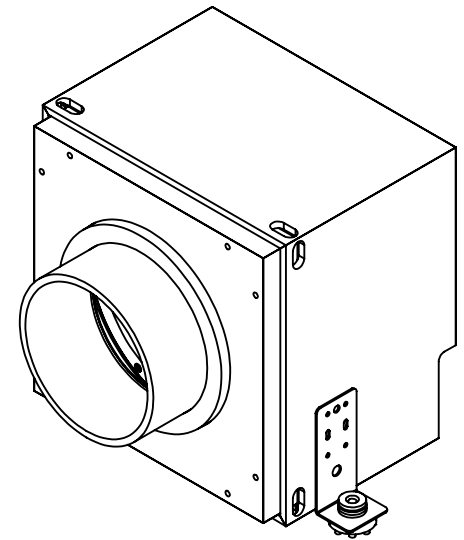




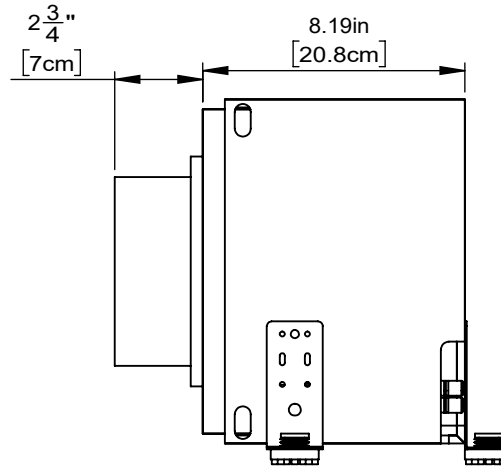
Top view



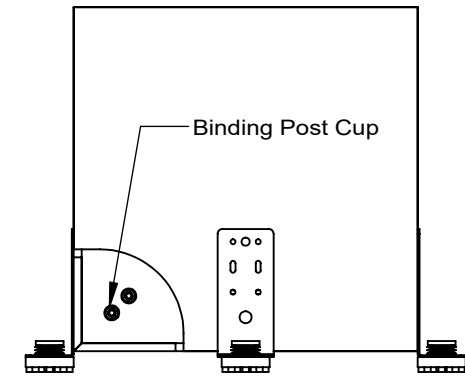
Bottom view



Front view



Right view



Binding Post Cup

Back view

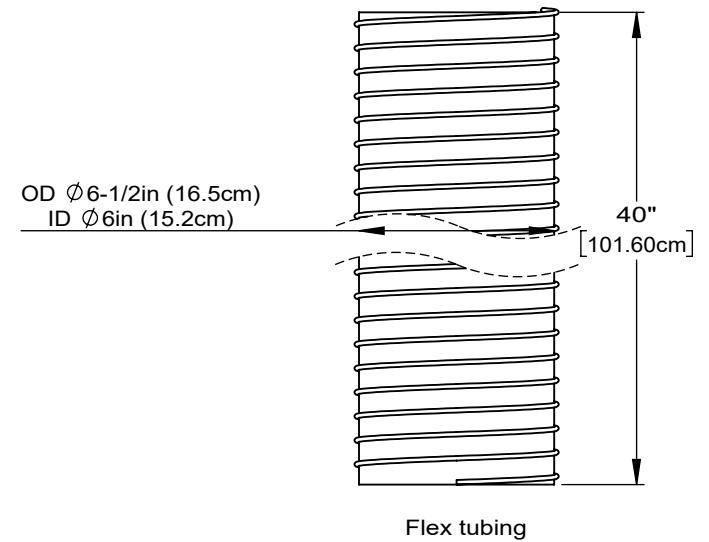
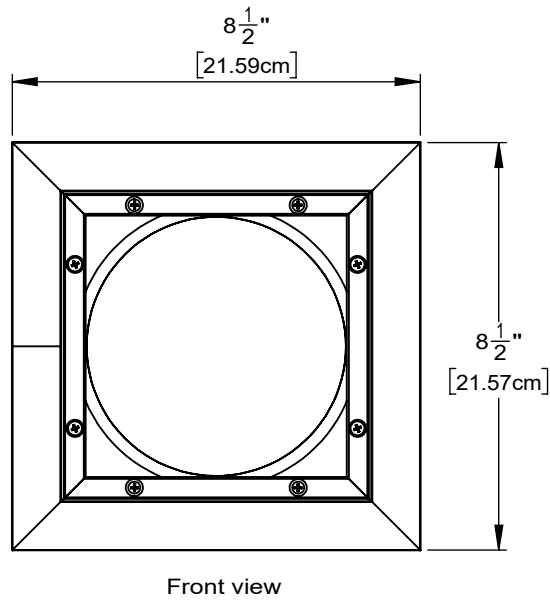
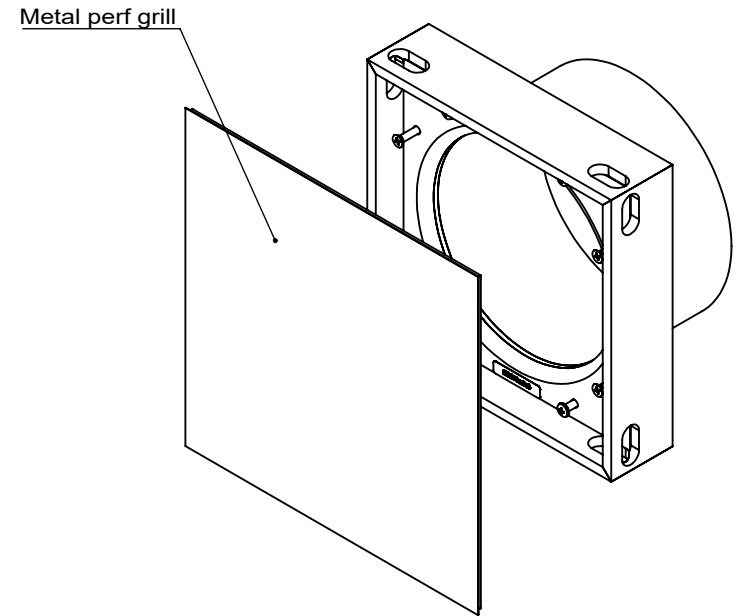
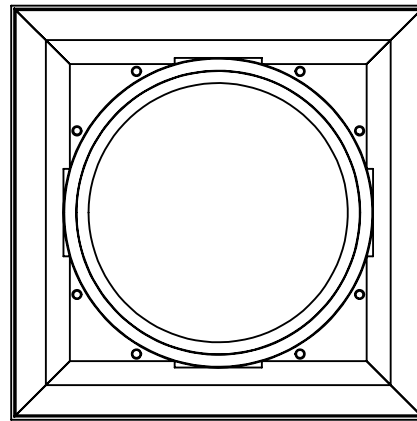
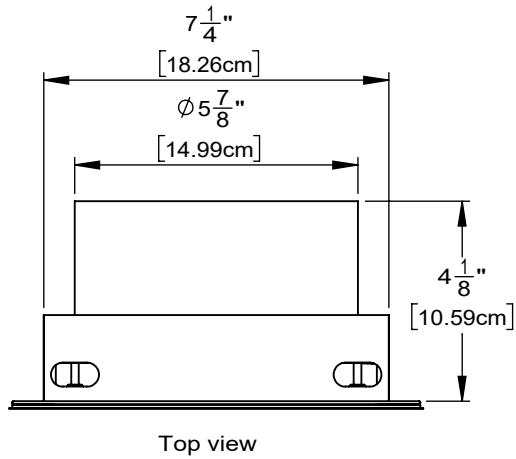
v1.0

**TRIAD**  
 15835 NE CAMERON BLVD  
 PORTLAND, OR 97230  
[www.triadaudio.com](http://www.triadaudio.com)  
 503-256-2600

## Mini FlexSub Vent Style Grill

*Copyright ©2018, Control4 Corporation. All rights reserved. Control4, the Control4 logo, the 4-ball logo, Triad, and the Triad logo, are registered trademarks or trademarks of Control4 Corporation or its subsidiaries in the United States and/or other countries. All other names and brands may be claimed as the property of their respective owners. All specifications subject to change without notice*





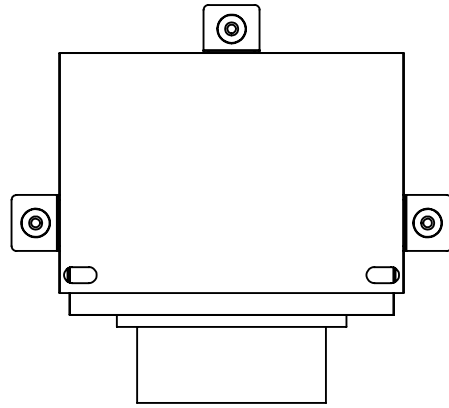
v1.0

**TRIAD**  
15835 NE CAMERON BLVD  
PORTLAND, OR 97230  
[www.triadaudio.com](http://www.triadaudio.com)  
503-256-2600

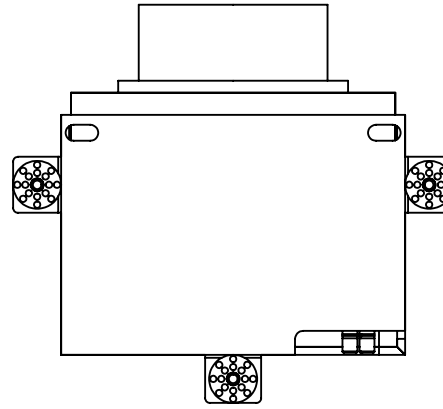
## Mini FlexSub W Style InWall Grill

Copyright ©2018, Control4 Corporation. All rights reserved. Control4, the Control4 logo, the 4-ball logo, Triad, and the Triad logo, are registered trademarks or trademarks of Control4 Corporation or its subsidiaries in the United States and/or other countries. All other names and brands may be claimed as the property of their respective owners. All specifications subject to change without notice

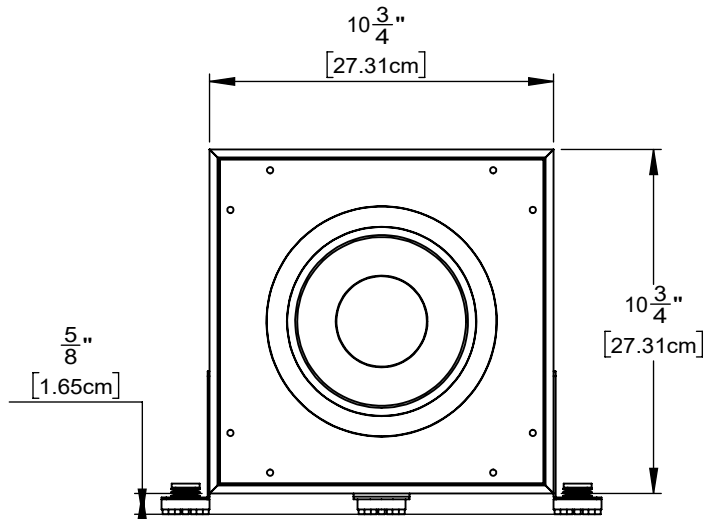
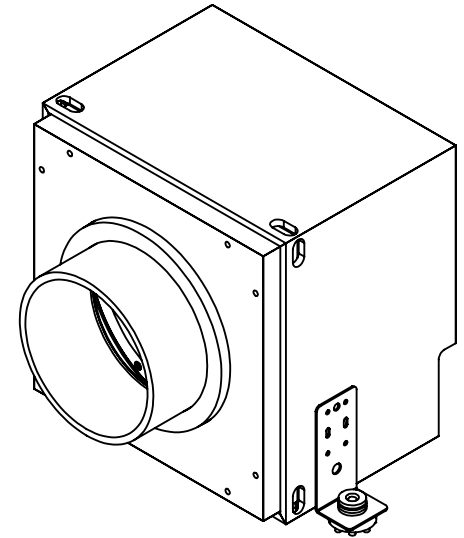
**TRIAD**



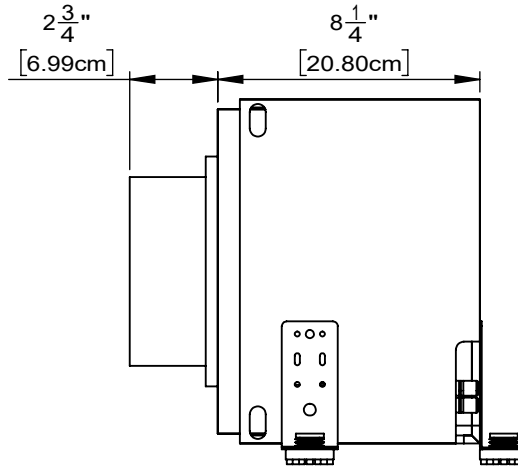
Top view



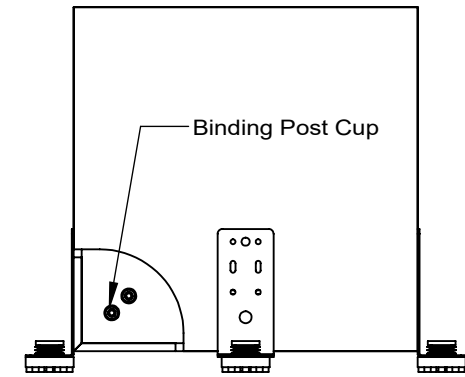
Bottom view



Front view



Right view



Binding Post Cup

Back view

v1.0

**TRIAD**  
 15835 NE CAMERON BLVD  
 PORTLAND, OR 97230  
[www.triadaudio.com](http://www.triadaudio.com)  
 503-256-2600

## Mini FlexSub W Style InWall Grill

*Copyright ©2018, Control4 Corporation. All rights reserved. Control4, the Control4 logo, the 4-ball logo, Triad, and the Triad logo, are registered trademarks or trademarks of Control4 Corporation or its subsidiaries in the United States and/or other countries. All other names and brands may be claimed as the property of their respective owners. All specifications subject to change without notice*

