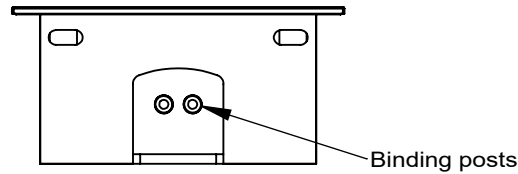
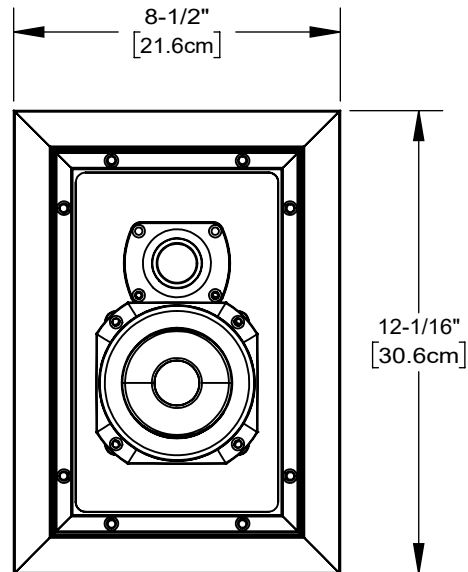
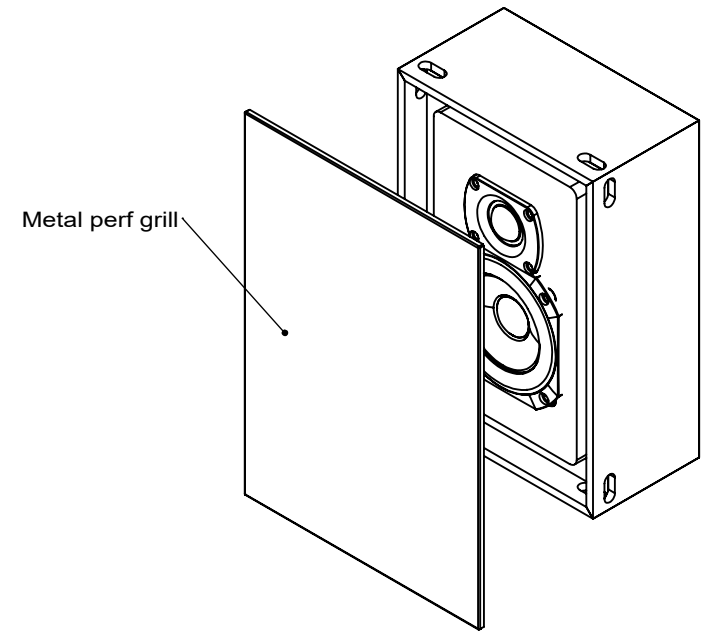


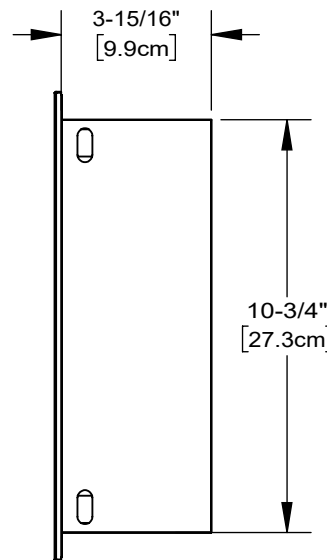
Top view



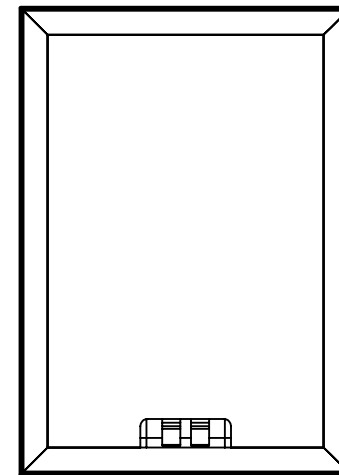
Bottom view



Front view



Right view



Back view

v1.0

TRIAD
 15835 NE CAMERON BLVD
 PORTLAND, OR 97230
www.triadaudio.com
 503-256-2600

InWall Mini/4 Sat

Copyright ©2018, Control4 Corporation. All rights reserved. Control4, the Control4 logo, the 4-ball logo, Triad, and the Triad logo, are registered trademarks or trademarks of Control4 Corporation or its subsidiaries in the United States and/or other countries. All other names and brands may be claimed as the property of their respective owners. All specifications subject to change without notice

