

Switch

Claro Smart Switch
DVRF-5NS
120 V~ 50/60 Hz

Installation videos can be found here:
www.casetawireless.com/support

Double your warranty

Love Caséta products? Have ideas for making them better? Tell us what you think and we'll extend your warranty by 1 year. www.casetawireless.com/register



Contents supplied

Switch (DVRF-5NS) Jumper wire



Wire connectors (5) Screws (2)



Tools you'll need

Flat-head screwdriver

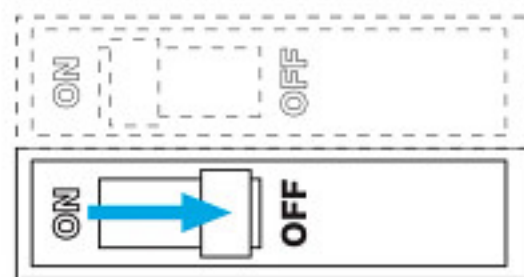


Phillips-head screwdriver



Installing your switch Installation for lights with one wall switch (single-pole)

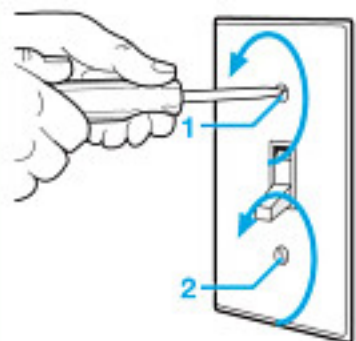
1 Turn power off at circuit breaker!



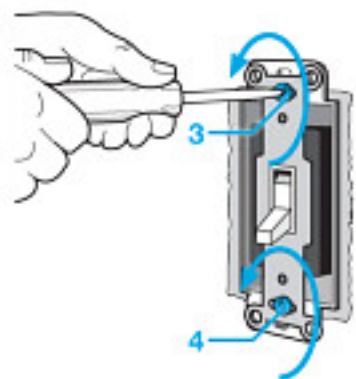
WARNING: SHOCK HAZARD
May result in serious injury or death. Turn off power at circuit breaker or fuse before installing.

2 Remove existing switch from wall

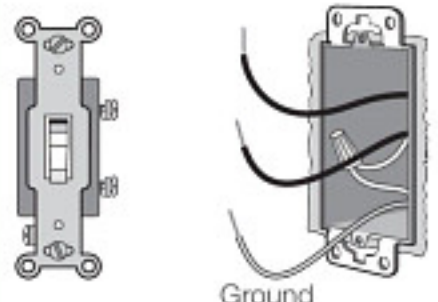
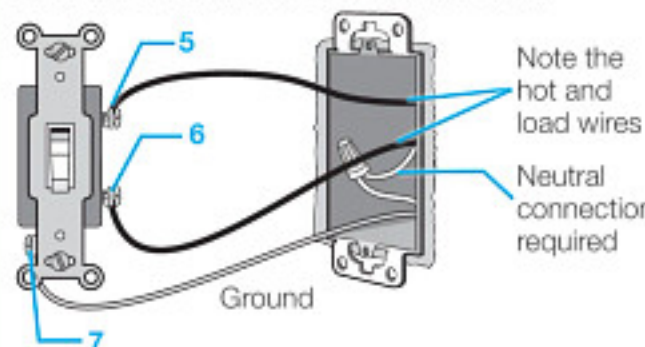
Remove the wallplate from switch.



Remove the switch and pull it away from the wall.



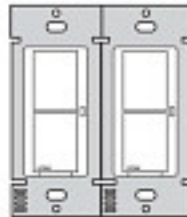
Disconnect all three wires* from the switch.



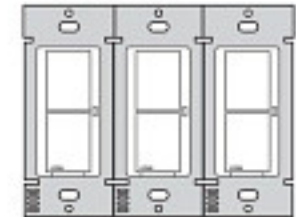
*If your light has more than one switch (called a 3-way), please visit www.casetawireless.com/3way

3 Ganging and Derating

Double Gang



Triple Gang



Important note:

Removing side sections does not reduce the switch's maximum wattage rating. See the chart below for maximum load information.

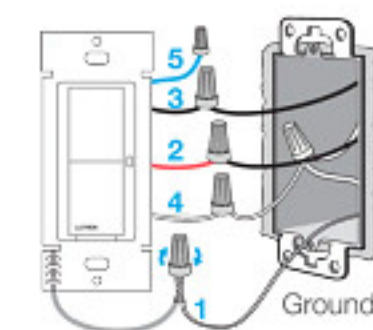
Maximum load derating chart (120 V~ 50/60 Hz)

Load Type	Single gang	Double gang	Triple gang
LED, & Fluorescent ¹	5 A	5 A	5 A
or			
Incandescent, Halogen, & ELV	600 W	600 W	600 W
or			
MLV ²	600 VA	600 VA	600 VA
or			
General Purpose Fan	3 A	3 A	3 A

¹ The switch is UL Listed for use with all magnetic and electronic fluorescent ballasts.

² The maximum lamp wattage is determined by the efficiency of the transformer, with 70%–85% as typical. For actual transformer efficiency, contact either the fixture or transformer manufacturer. The total VA rating of the transformer(s) shall not exceed the VA rating of the switch.

4 Connect the switch

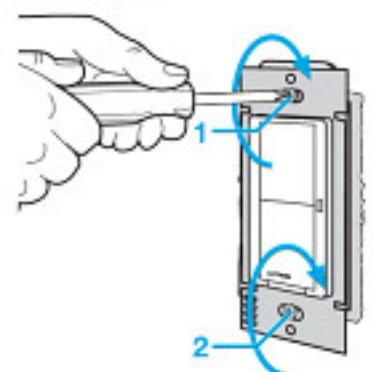


- 1 Connect the bare copper (or green) "ground" wire from the wallbox to the green wire on the switch using one of the large supplied wire connectors.
- 2 Connect the load wire from the wallbox to the red wire on the switch using one of the large supplied wire connectors.
- 3 Connect the hot wire from the wallbox to the black wire on the switch using one of the large supplied wire connectors.
- 4 Connect the neutral wire from the wallbox to the white wire on the switch (neutral connection required) using one of the large supplied wire connectors.
- 5 Cap the blue wire coming from the switch with the small supplied wire connector. The blue wire is not used for single pole installations.

Note: Wire colors depicted in this install guide may not match what is in your walls.

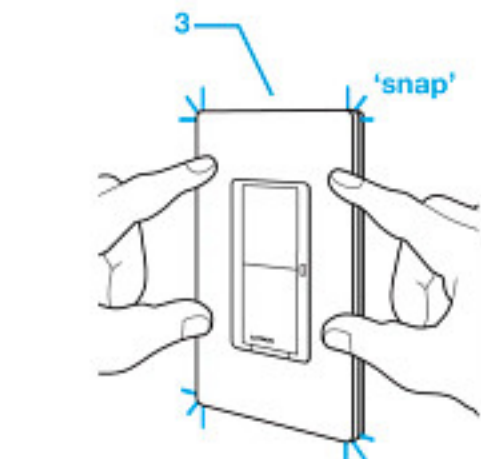
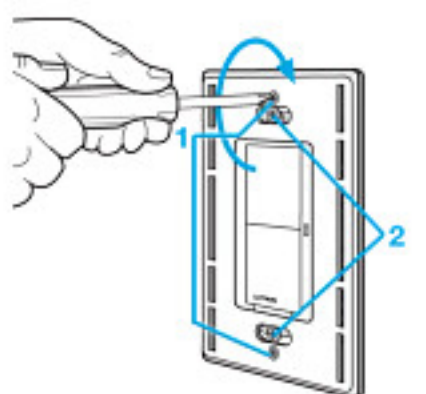
5 Mount the switch

Use the mounting screws provided, leaving them loose for this step.

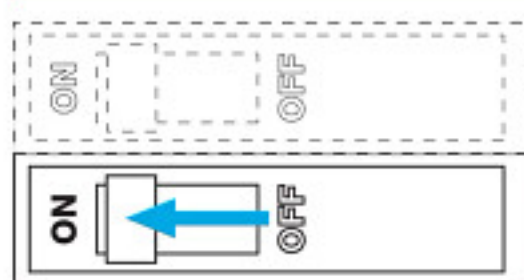


6 Attach the wallplate

- 1 Attach the adapter to the switch using the screws provided.
- 2 Tighten the mounting screws on the switch.
- 3 Snap on the wallplate.



7 Turn power on at circuit breaker



CAUTION

Use only with permanently installed lighting loads or with general purpose fan loads.

Codes

Install in accordance with all national and local electrical codes.

Grounding

When no "grounding means" exist in wallbox, the National Electrical Code (NEC®) allows a control to be installed as a replacement if 1) a nonmetallic, noncombustible faceplate is used with nonmetallic attachment screws or 2) the circuit is protected by a ground fault circuit interrupter (GFCI). When installing a control according to these methods, cap or remove green wire before screwing control into wallbox.

FCC/IC Information

This device complies with part 15 of the FCC Rules and Industry Canada license-exempt RSS standard(s). Operation is subject to the following two conditions: (1) This device may not cause interference, and (2) this device must accept any interference, including interference that may cause undesired operation. Modifications not expressly approved by Lutron Electronics Co., Inc. could void the user's authority to operate this equipment. Note: This equipment has been tested and found to comply with the limits for a Class B digital device, pursuant to part 15 of the FCC Rules. These limits are designed to provide reasonable protection against harmful interference in a residential installation. This equipment generates, uses and can radiate radio frequency energy and, if not installed and used in accordance with the instructions, may cause harmful interference to radio communications. However, there is no guarantee that interference will not occur in a particular installation. If this equipment does cause harmful interference to radio or television reception, which can be determined by turning the equipment off and on, the user is encouraged to try to correct the interference by one or more of the following measures:
 —Reorient or relocate the receiving antenna.
 —Increase the separation between the equipment and receiver.
 —Connect the equipment into an outlet on a circuit different from that to which the receiver is connected.
 —Consult the dealer or an experienced radio/TV technician for help.

Warranty

For warranty information, please visit www.casetawireless.com/warranty

