

In-wall dimmer P/N 0302045 REV A

Diva Smart Dimmer
DVRF-6L
120 V~ 50/60 Hz

Installation videos can be found here:
www.casetawireless.com/support

Double your warranty

Love Caséta Wireless products? Have ideas for making them better? Tell us what you think and we'll extend your warranty by 1 year.
www.casetawireless.com/register



Contents supplied

In-wall dimmer (DVRF-6L)



Wire connectors (5) Screws (2)



Tools you'll need

Flat-head screwdriver



Phillips-head screwdriver



Works with energy efficient dimmable light bulbs:

- LED—up to 150 W
- CFL—up to 150 W
- Halogen—up to 600 W
- Incandescent—up to 600 W

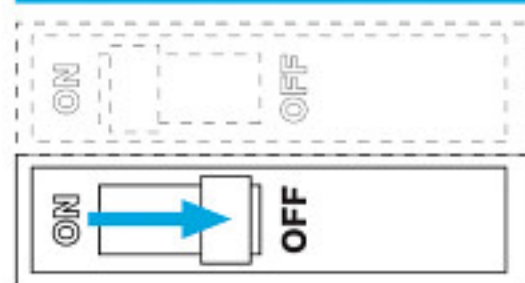
NOTE: You can mix and match dimmable LED and CFLs, as well as halogen and incandescent light bulbs, with Caséta Wireless dimmers.

Dimmable LED and CFL light bulbs vary in their dimming performance. If you're using these bulbs and they flicker or turn off, please visit www.casetawireless.com/lowend for information on adjusting the dimmer for best bulb performance.

For a complete list of compatible dimmable LEDs and CFLs, please visit www.casetawireless.com/bulblast

Installing your dimmer Installation for lights with one wall switch (single pole)

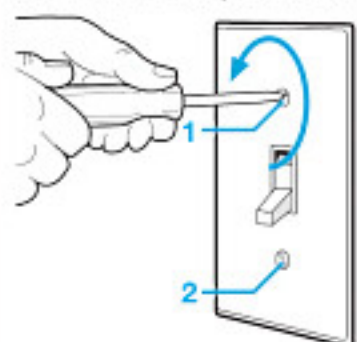
1 Turn power off at circuit breaker!



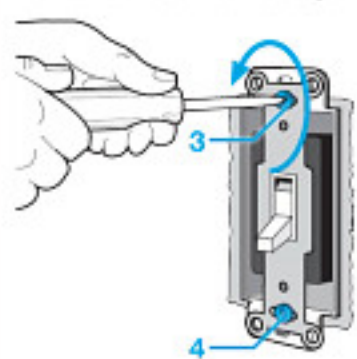
WARNING: SHOCK HAZARD
May result in serious injury or death. Turn off power at circuit breaker or fuse before installing.

2 Remove existing switch from wall

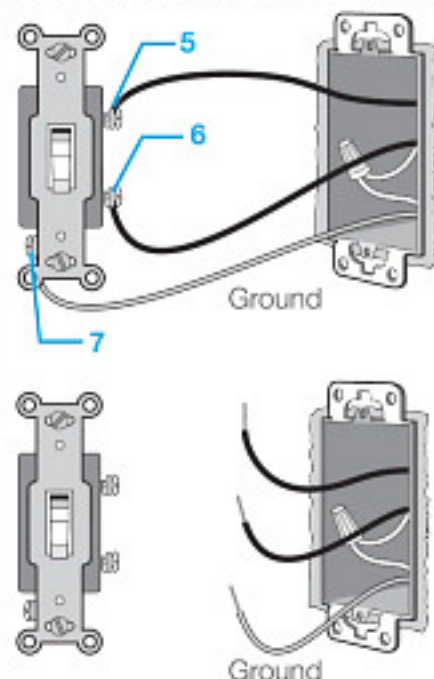
Remove the wallplate from switch.



Remove the switch and pull it away from the wall.



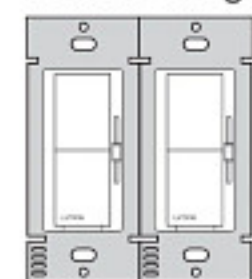
Disconnect all three wires* from the switch.



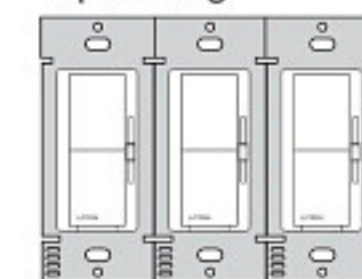
*If your switch has more than 3 wires attached, see "Installing Caséta Wireless in a 3-way switch application" video at www.casetawireless.com/3way

3 Ganging and Derating

Double Gang



Triple Gang



Important note:

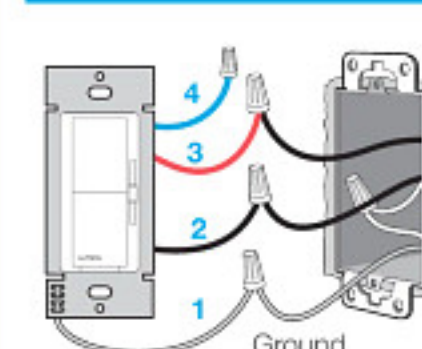
Multi-gang installations may reduce the dimmer's maximum wattage rating. See the chart below for maximum wattage information.

Maximum* wattage derating chart (120 V~ 50/60 Hz)

Load Type	Single gang	Double gang	Triple gang
LED & CFL	150 W	150 W	150 W
Incandescent & Halogen	600 W	500 W	400 W

*For maximum wattage information when mixing light bulb types see www.casetawireless.com/ganging

4 Connect the dimmer

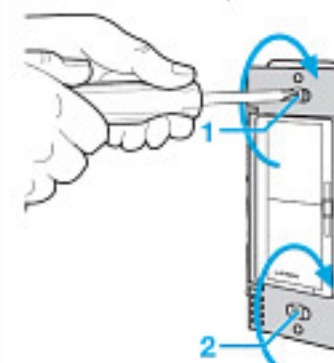


- 1 Connect the bare copper (or green) "ground" wire from the wallbox to the green wire on the dimmer using one of the large supplied wire connectors.
- 2 Connect either of the remaining wires from the wallbox to the black wire on the dimmer using one of the large supplied wire connectors.
- 3 Connect the remaining wire from the wallbox to the red wire on the dimmer using one of the large supplied wire connectors.
- 4 Cap the blue wire coming from the dimmer with the small supplied wire connector. The blue wire is not used for single pole installations.

Note: Wire colors depicted in this install guide may not match what is in your walls.

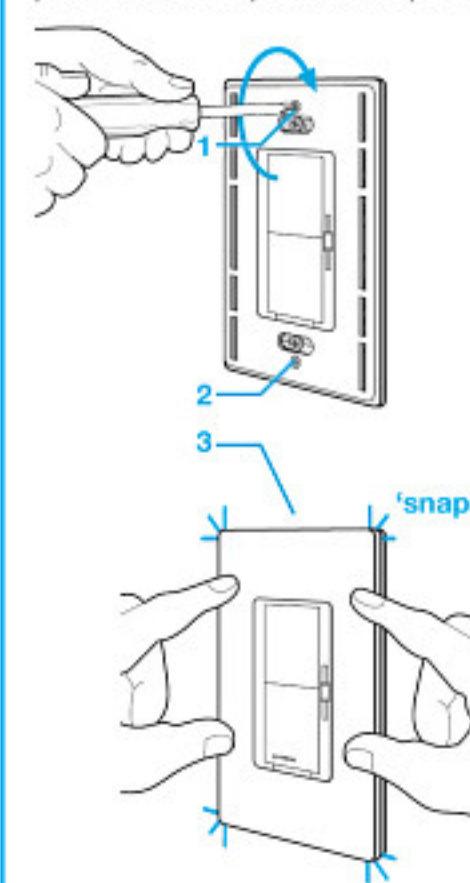
5 Mount the dimmer

Use the screws provided.

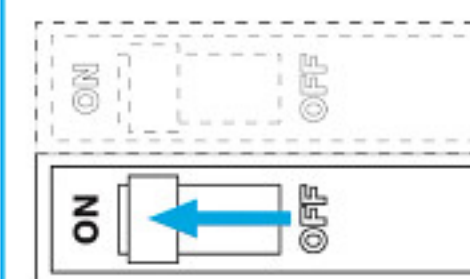


6 Attach the wallplate

Attach the adapter to the dimmer using the screws provided and snap on the wallplate.



7 Turn power on at circuit breaker



Important note:

We've included instructions for when a single switch is controlling the lights. For installation instructions when two or more switches are controlling a light, please visit www.casetawireless.com/3way for complete installation instructions and how-to videos.



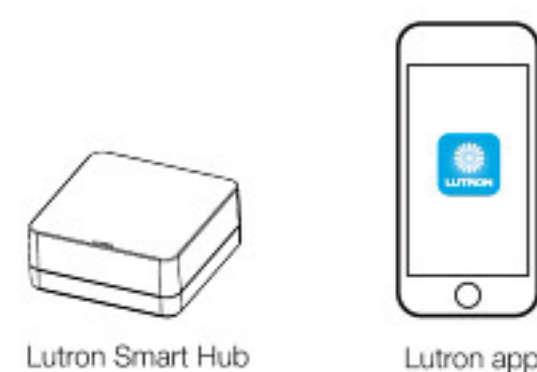
To use your Caséta Wireless system

With a smartphone or tablet (Smart Hub required, sold separately)

The Caséta Wireless Diva Smart Dimmer can be controlled from a smartphone when used with the Lutron Smart Hub (Smart Bridge) and the Lutron app.

If you are using the dimmer and remote control with the Lutron Smart Hub follow the instructions below.

Note: If you are using the dimmer and remote control with another manufacturer's bridge, please refer to that manufacturer's instructions for set-up.



1 Download the Lutron app



Search for "Lutron Caséta"



2 Launch the Lutron app



The Lutron app will walk you through setting up your devices.

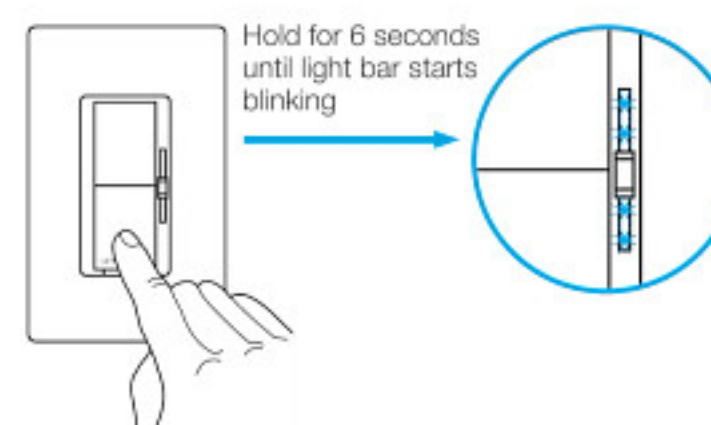
3 Use the Lutron app to complete ALL remaining steps

- Add devices
 - Pico remotes
 - Dimmers
 - Shades
- Control three ways
- Schedule your lights
- Connect while away

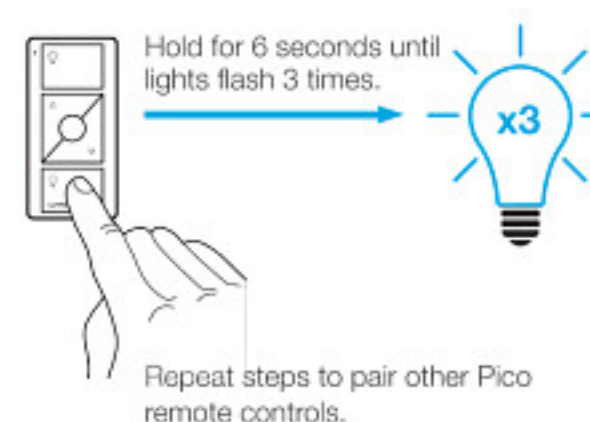
Without a smartphone or tablet (Smart hub not required)

Pairing the dimmer and Pico remote control

1 Press and hold "off" button on dimmer



2 Press and hold "off" button on remote

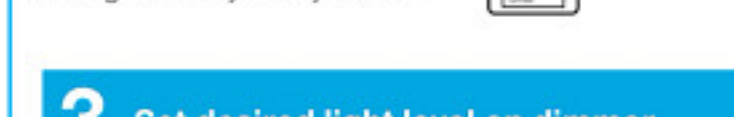


Repeat steps to pair other Pico remote controls.

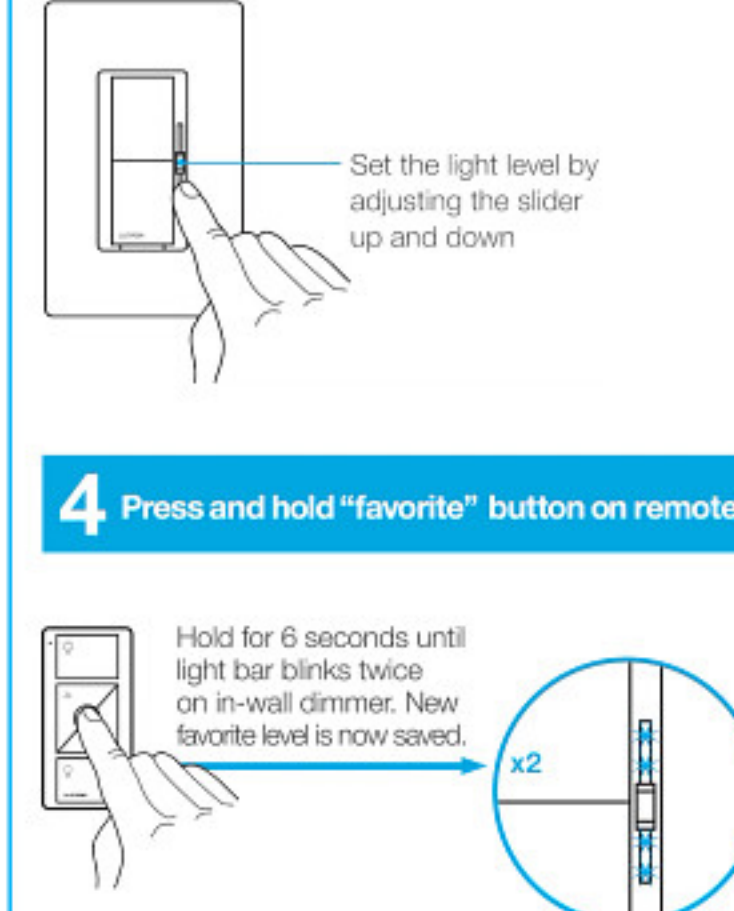
Changing the favorite light level on the Pico remote control (sold separately)

3 Set desired light level on dimmer

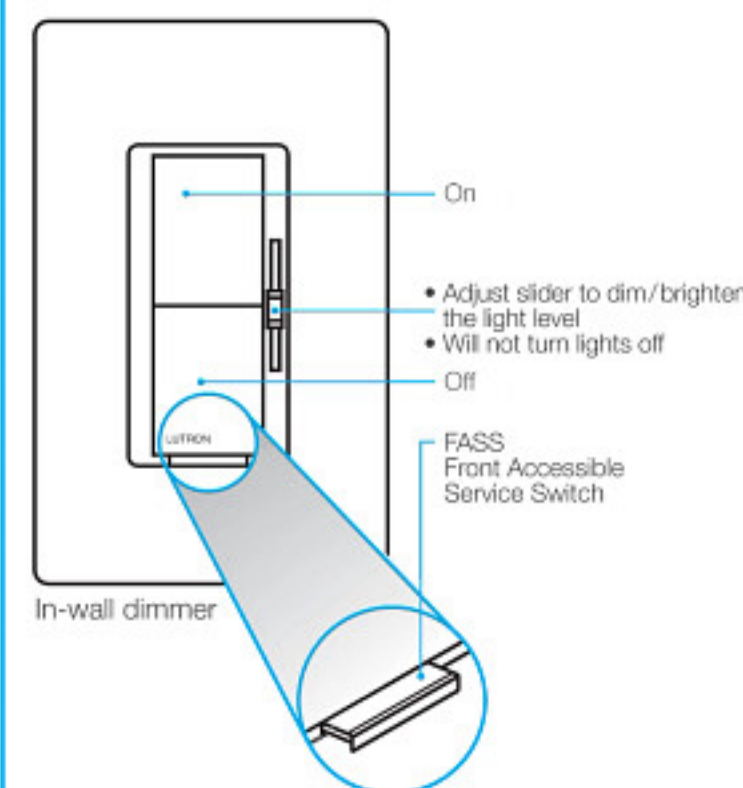
You can use the round "favorite" button on the Pico remote control to recall a favorite light level. We've set it to 50%, but you can change it to any level you like.



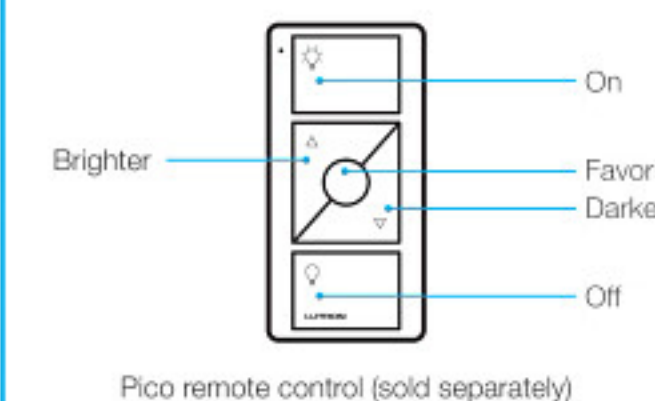
4 Press and hold "favorite" button on remote



Using your controls



Replacing light bulbs using FASS
Pull the FASS switch out on the in-wall dimmer to remove power at the light socket.



CAUTION
Use only with permanently installed fixtures with dimmable LED, dimmable CFL, halogen, or incandescent lamps. To avoid overheating and possible damage to other equipment, do not use to control receptacles, motor-driven appliances, or transformer-supplied appliances.

Codes
Install in accordance with all national and local electrical codes.

Grounding
When no "grounding means" exist in wallbox, the National Electrical Code (NEC) allows a control to be installed as a replacement if 1) a nonmetallic, noncombustible faceplate is used with nonmetallic attachment screws or 2) the circuit is protected by a ground fault circuit interrupter (GFCI). When installing a control according to these methods, cap or remove green wire before screwing control into wallbox.

FCC/IC Information
This device complies with part 15 of the FCC Rules and Industry Canada license-exempt RSS standard(s). Operation is subject to the following two conditions: (1) This device may not cause interference, and (2) this device must accept any interference, including interference that may cause undesired operation. Modifications not expressly approved by Lutron Electronics Co., Inc. could void the user's authority to operate this equipment. Note: This equipment has been tested and found to comply with the limits for a Class B digital device, pursuant to part 15 of the FCC Rules. These limits are designed to provide reasonable protection against harmful interference in a residential installation. This equipment generates, uses and can radiate radio frequency energy and, if not installed and used in accordance with the instructions, may cause harmful interference to radio communications. However, there is no guarantee that interference will not occur in a particular installation. If this equipment does cause harmful interference to radio or television reception, which can be determined by turning the equipment off and on, the user is encouraged to try to correct the interference by one or more of the following measures:
—Reorient or relocate the receiving antenna.
—Increase the separation between the equipment and receiver.
—Connect the equipment into an outlet on a circuit different from that to which the receiver is connected.
—Consult the dealer or an experienced radio/TV technician for help.

Warranty
For warranty information, please visit www.casetawireless.com/warranty

Troubleshooting

Symptoms	Probable cause and action
Light does not turn on or in-wall dimmer light bar does not light up.	<ul style="list-style-type: none"> Light bulb(s) burned out. Breaker is OFF or tripped. Light not properly installed. Wiring error. FASS switch on the dimmer is in the Off position.
Light does not respond to Pico remote control.	<ul style="list-style-type: none"> The dimmer failed to pair with Pico remote control; see <i>Pairing the dimmer and Pico remote control</i>. The dimmer is already at the light level the Pico remote control is sending. The Pico remote control is outside the 30 ft (9 m) operating range. The Pico remote control battery is low. The Pico remote control battery is installed incorrectly.
<ul style="list-style-type: none"> Bulbs turn off while being dimmed. Bulbs turn on at high light level but do not turn on at a low light level. Bulbs flicker or flash when dimmed to a low light level. 	<ul style="list-style-type: none"> Verify bulbs are marked dimmable and visit www.casetawireless.com/lowend for information on adjusting the dimmer for best bulb performance.

Go to www.casetawireless.com/support for additional troubleshooting suggestions.

Important notes:

1. For indoor use only.
2. Operate between 32 F (0 °C) and 104 F (40 °C).

Lutron, the Lutron logo, Diva, FASS, Caséta, Pico, and the design of the Pico remote are trademarks or registered trademarks of Lutron Electronics Co., Inc. in the US and/or other countries. Apple is a trademark of Apple Inc., registered in the U.S. and other countries. App Store is a service mark of Apple Inc. All other product names, logos, and brands are property of their respective owners.