

**B-220-HDSPLTR-1X2**



**IMPORTANT SAFETY INSTRUCTIONS**

1. Read and follow all instructions and warnings in this manual. Keep for future reference.
2. Do not use this apparatus near water.
3. Clean only with a dry cloth.
4. Do not block any ventilation openings. Install according to manufacturer's instructions.
5. Do not install near any heat sources such as radiators, heat registers, stoves or other apparatus (including amplifiers) that produce heat.
6. Do not override the safety purpose of the polarized or grounding-type plug. A polarized plug has two blades - one wider than the other. If the provided plug does not fit into your outlet, consult an electrician for replacement of the obsolete outlet.
7. Protect the power cord from being walked on or pinched particularly at plug, convenience receptacles, and the point where it exits from the apparatus.
8. Only use attachments/accessories specified by the manufacturer.
9. Unplug this apparatus during lightning storms or when unused for long periods of time.
10. Refer all servicing to qualified service personnel. Servicing is required when the apparatus has been damaged in any way, such as when the power-supply cord or plug is damaged, liquid has been spilled or objects have fallen into the apparatus, the apparatus has been exposed to rain or moisture, does not operate normally, or has been dropped.
11. Do not expose this equipment to dripping or splashing and ensure that no objects filled with liquids, such as vases, are placed on the equipment.
12. To completely disconnect this equipment from the AC mains, disconnect the power supply cord plug from the AC receptacle

**WELCOME TO BINARY™**

This product is designed to provide years of exceptional reliability. Binary™ is one of the most highly-regarded Media Distribution brands available today and we stand committed to providing our customers with the highest degree of quality and service in the industry.

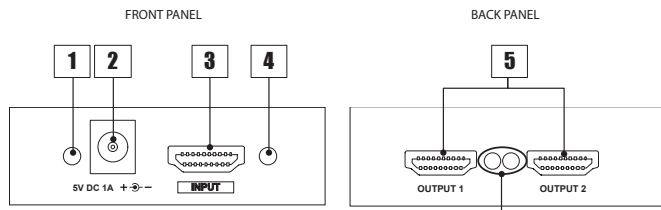
**CONTENTS**

- (1) HDMI Splitter, 1X2
- (1) 5VDC power adapter
- (2) Mounting Ears
- (4) Rubber Feet
- (1) Owner's Manual

**FEATURES**

- Distributes a single HDMI signal to 2 identical and synchronized HDMI outputs
- Auto EDID Negotiation
- Supports 7.1 channel surround sound, DTS-HD Master Audio and TrueHD high bit rate audio
- 6.75 Gbps Bandwidth
- Full HD with 36 bit Deep Color
- HDCP compliant

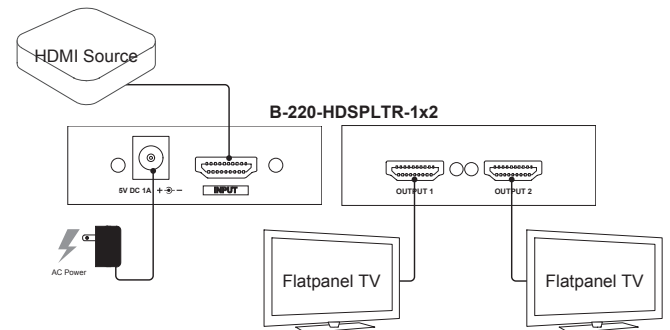
**CONNECTIONS**



1. Power LED
2. Power Supply (+5V DC)
3. HDMI Input
4. Input LED
5. HDMI Outputs 1 and 2
6. LEDs for Outputs 1 and 2

**INSTALLATION**

1. Connect an HDMI cable from the source to the B-220-HDSPLTR input.
2. Connect an HDMI cable from each B-220-HDSPLTR output to a display.
3. Connect the power to the B-220-HDSPLTR.
4. Turn on the source and the devices.



## SPECIFICATIONS

Video Support	VESA: 640x480, 800x600, 1024x768, 1280x1024, 1600x1200, 1920x1200 HDTV: 480i, 576i, 480p, 576p, 720p, 1080i, 1080p
Video Bandwidth	6.75 Gbps
Video Transmission	Full HD with 36 bit Deep Color
Audio Support	Surround Sound (up to 7.1ch) DTS-HD Master Audio and TrueHD high bitrate audio
Connector	HDMI Type A (19 pin female)
ESD Protection	Human Body (air gap): 15kV Human Body (contact): 8kV
HDMI Connector Type	Type A (19 pin female)
Power Supply	5V DC, 1A
Power Consumption	3.5 Watts (max)
Dimensions	2.5"W x 0.78"H x 2.34"D
Weight	0.51lbs (0.23kg)
Certifications & Compliance	Power Supply: CE, FCC, UL, Rohs Product: CE, FCC, Rohs

## WARRANTY

### 2-Year Limited Warranty

This Binary™ Product has a 2 Year Limited Warranty. This warranty includes parts and labor repairs on all components found to be defective in material or workmanship under normal conditions of use. This warranty shall not apply to products which have been abused, modified or disassembled. Products to be repaired under this warranty must be returned to SnapAV or a designated service center with prior notification and an assignment return authorization number (RA).

### CONTACTING TECHNICAL SUPPORT

Phone: (866) 838-5052

Email: [Techsupport@snapav.com](mailto:Techsupport@snapav.com)

**BINARY** engineered by  
**SnapAV**  
120703-0930