



AUTHORIZED
MantelMount®
SALES SHEET

FITS TVs

44" TO 80"

VESA
COMPATIBILITY

725mm
X
550mm

HEAVY DUTY
STEEL

2.5mm

ADJUSTABLE
TILT

±9°

OFF-THE-WALL
DISTANCE

19"



SWIVEL
CAPACITY

± 60°



VERTICAL
DROP

± 27"



MAX
LOAD

90 lbs

MM540 Enhanced Pull Down TV Mount

Easily pull a large flat screen TV down and off the wall for optimal eye-level viewing!

The MM540 Enhanced Mount offers our full range of motion, safety, reliability, incomparable engineering & craftsmanship that you can only find in a MantelMount® Pull Down TV Mount.

Features include: Heat-sensing handles, built-in sound bar attachment, paintable wall covers, 27" vertical travel, 30° swivel left and right or 60° swivel in one direction, cable management, adjustable stops, auto-straightening and an adjustable 9° tilt.



Problematic View

Perfected View with the
MantelMount 540

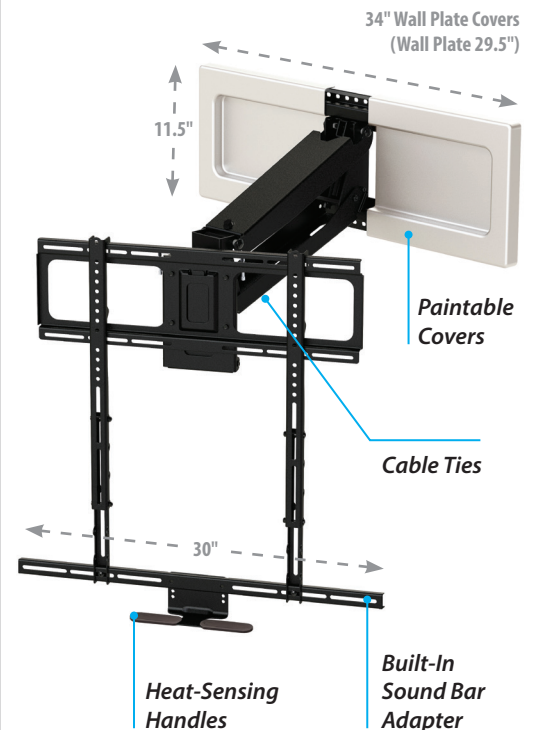
- **TWO AUTOMOTIVE GAS PISTONS** Makes TV feel feather light.
- **PAINTABLE WALL COVERS** Conceals the TV mount's wall hardware.
- **HEAT SENSING HANDLES** Handles turn red if the temperature reaches 110°.
- **PATENTED AUTO STRAIGHTENING** As TV is lifted to its highest raised state, it will automatically straighten.
- **ENHANCED STABILIZATION** (Patent Pending) Maintains a level TV over time.
- **POST LEVELING** Provides the ability to easily level the TV after installation is complete without having to remove the TV.
- **CABLE MANAGEMENT** Tabs keep TV wires organized.
- **HARD TRAVEL-LIMIT STOPS** Manually set vertical and horizontal travel stops to assure your TV doesn't hit your mantel or wall.
- **BUILT-IN SOUND BAR ADAPTER** No additional hardware required.

Lifetime limited consumer warranty included.

All necessary hardware is in the box.



MantelMount. MM540
U.S. PATENT NO. 8,864092



MM540 Specifications

TV Size	44" – 80" up to 90 lbs.
Mount Weight	38 lbs.
Package Weight	44 lbs.
Package Dimensions	35" w x 22.75" h x 6.5" d
UPC Code	861709000360
MSRP/UMAP	\$399.00

www.MantelMount.com contact@mantelmount.com 800.897.9755

