

# SM-CEILING-CA

## Strong™ Cathedral Ceiling Adapter for Ceiling Mounts with 1-1/2 in. NPS Threading



### Parts included

- (1) Cathedral adapter assembly
- (3) ST6.3 × 63 lag bolts
- (4) M5 × 5mm set screws
- (1) Hex key

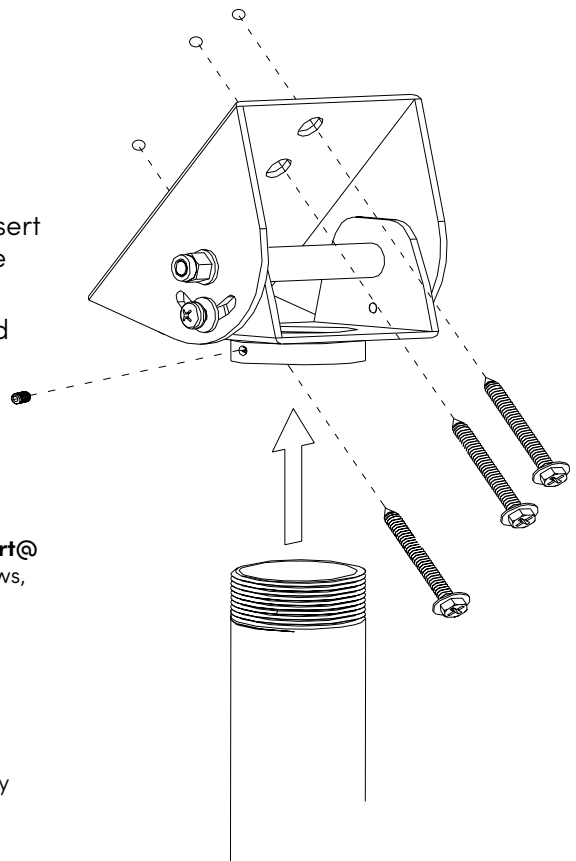


### Tools required

- Power drill
- 3/16" drill bit
- Stud finder

### Installation

1. Use the ceiling plate to mark holes on the ceiling.
2. Pre-drill three holes using the 3/16" drill bit, then insert the lag bolts into the holes through the ceiling plate and tighten them down.
3. Thread the extension pipe into the ceiling plate and tighten the set screws.



### Technical Support

For chat and telephone, visit [snp1.co/techsupport](https://snp1.co/techsupport) • Email: [TechSupport@SnapOne.com](mailto:TechSupport@SnapOne.com). Visit [snp1.co/tc](https://snp1.co/tc) for discussions, instructional videos, news, and more.

### Warranty and Legal Notices

Find details of the product's Limited Warranty at [snapone.com/legal/](https://snapone.com/legal/) or request a paper copy from Customer Service at 866.424.4489. Find other legal resources, such as regulatory notices and patent and safety information, at [snapone.com/legal/](https://snapone.com/legal/).

Copyright ©2023, Snap One, LLC. All rights reserved. Snap One its respective logos are registered trademarks or trademarks of Snap One, LLC (formerly known as Wirepath Home Systems, LLC), in the United States and/or other countries. 4Store, 4Sight, Control4, Control4 My Home, SnapAV, Strong, and OvrC are also registered trademarks or trademarks of Snap One, LLC. Other names and brands may be claimed as the property of their respective owners. Snap One makes no claim that the information contained herein covers all installation scenarios and contingencies, or product use risks. Information within this specification subject to change without notice. All specifications subject to change without notice.

Version 230816

200-SM-CEILING-CA-XXX



