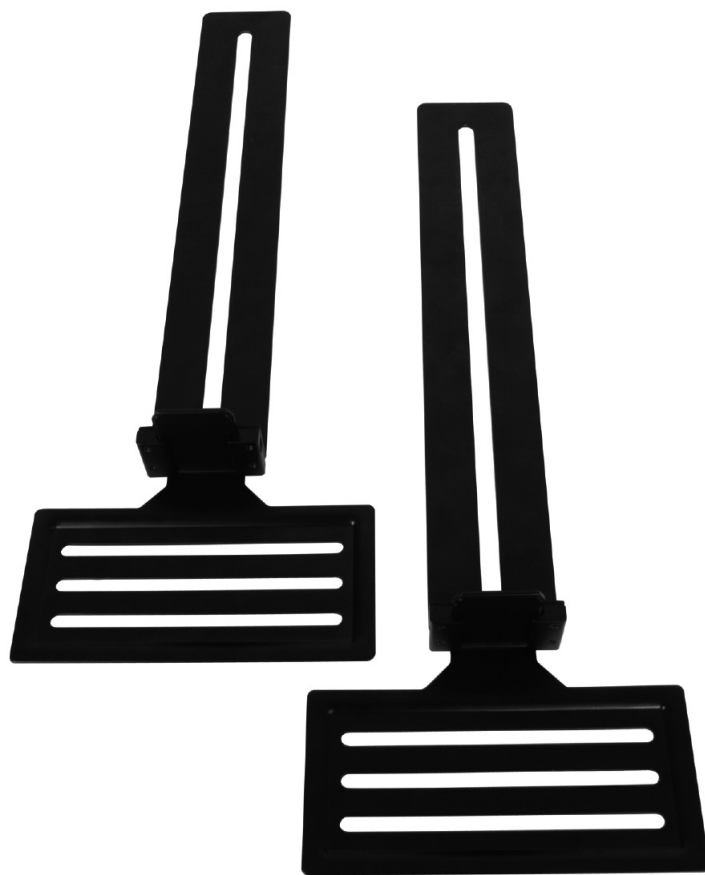




SM-SBAR2-BKT-UNIV

Indoor/Outdoor Universal Soundbar Bracket



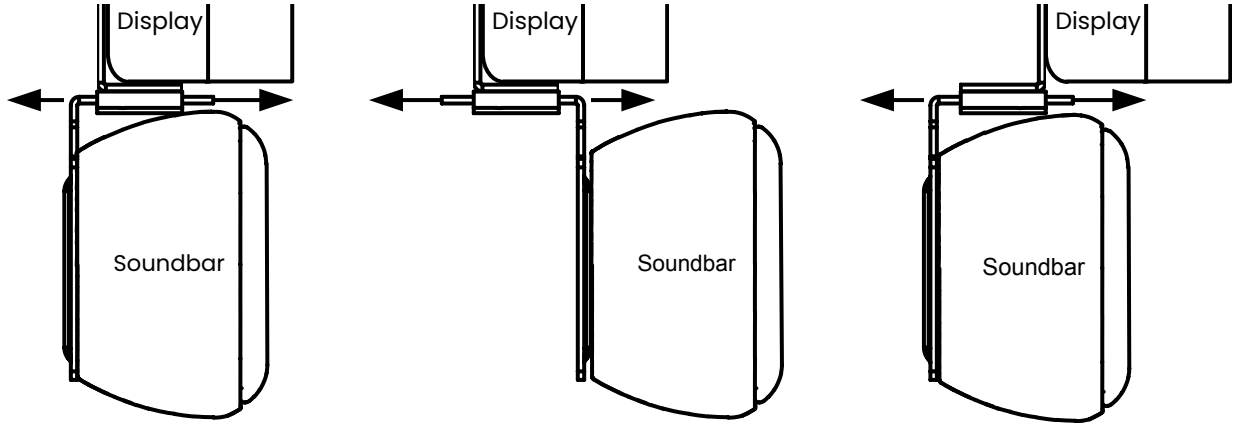
Install Guide

Adjusting the bracket

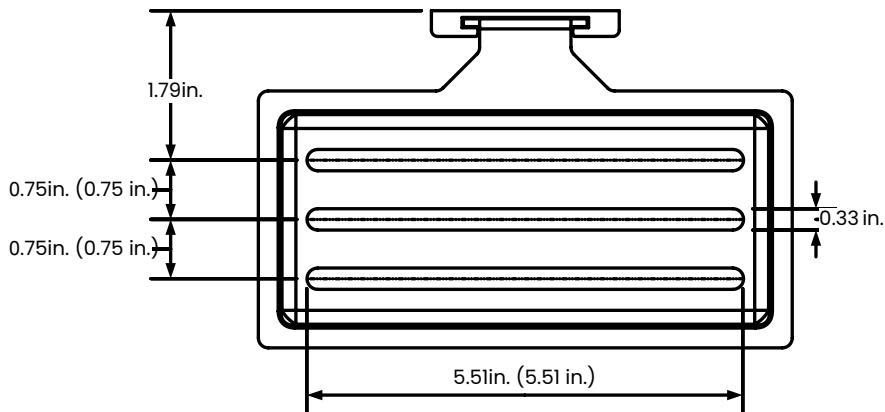
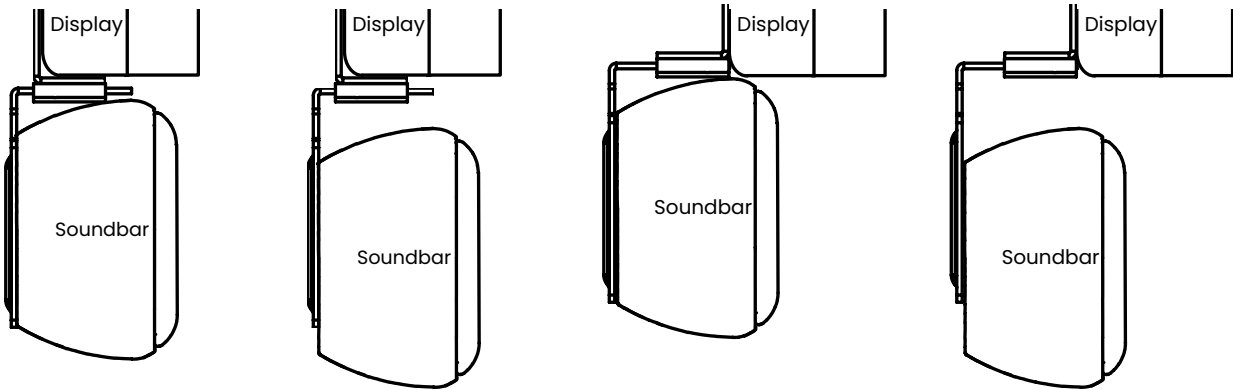
The SM-SBAR2-BKT-UNIV has a sliding tray bracket and adjustable hook bracket to position a soundbar to the desired height and depth relative to the display.

Note: This Strong™ bracket is designed to work with any Episode® soundbar but can be used with any other manufacturer's models.

Depth adjustments

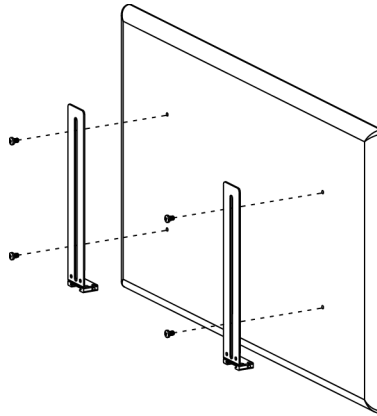


Height adjustments



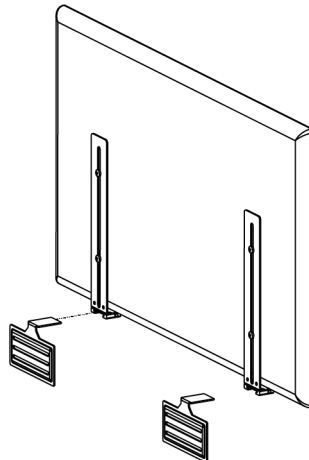
Assembly

1. Install the hook brackets to the rear of the display so they are between the display and wall mount.

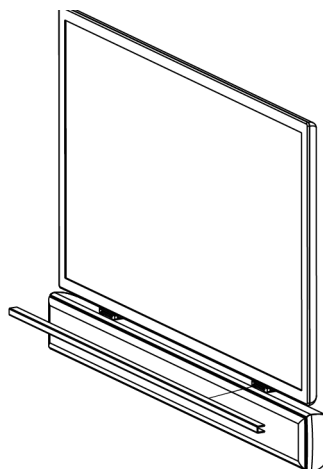


Note: Larger displays only use the bottom screw.

2. Insert the tray brackets into the rear of the hook brackets. Keep the set screws loose so you can adjust the depth of the soundbar.



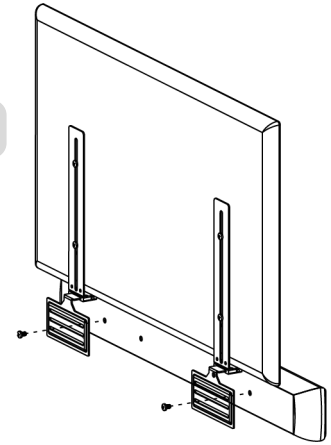
3. If needed, cut the provided trim piece (optional) to the width of the soundbar. Use the trim piece's adhesive strip to attach it to the soundbar.



4. Attach the soundbar to the tray brackets and secure it with the screws provided with the Episode™ soundbar.

Note: Third party soundbars may not provide set screws.

5. Adjust the soundbar to the desired depth.
6. Tighten the set screw on each tray bracket.



Technical Support

For chat and telephone, visit snp1.co/techsupport • Email: TechSupport@SnapOne.com. Visit snp1.co/tc for discussions, instructional videos, news, and more.

Warranty and Legal Notices

Find details of the product's Limited Warranty at snapone.com/legal/ or request a paper copy from Customer Service at 866.424.4489. Find other legal resources, such as regulatory notices and patent and safety information, at snapone.com/legal/.

Copyright ©2023, Snap One, LLC. All rights reserved. Snap One its respective logos are registered trademarks or trademarks of Snap One, LLC (formerly known as Wirepath Home Systems, LLC), in the United States and/or other countries. 4Store, 4Sight, Control4, Control4 My Home, SnapAV, Strong, and OvrC are also registered trademarks or trademarks of Snap One, LLC. Other names and brands may be claimed as the property of their respective owners. Snap One makes no claim that the information contained herein covers all installation scenarios and contingencies, or product use risks. Information within this specification subject to change without notice. All specifications subject to change without notice.

Version 230823

200-SM-SBAR2-BKT-UNIV

