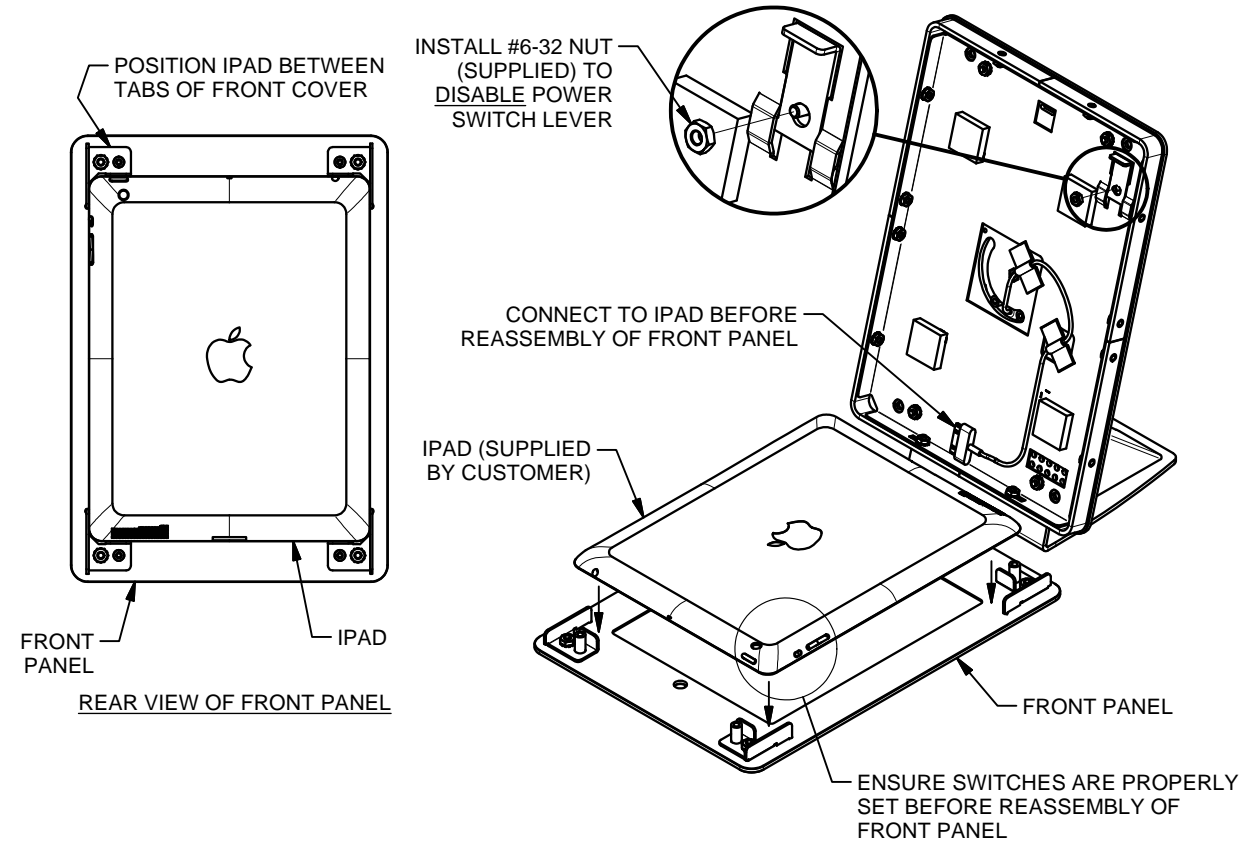
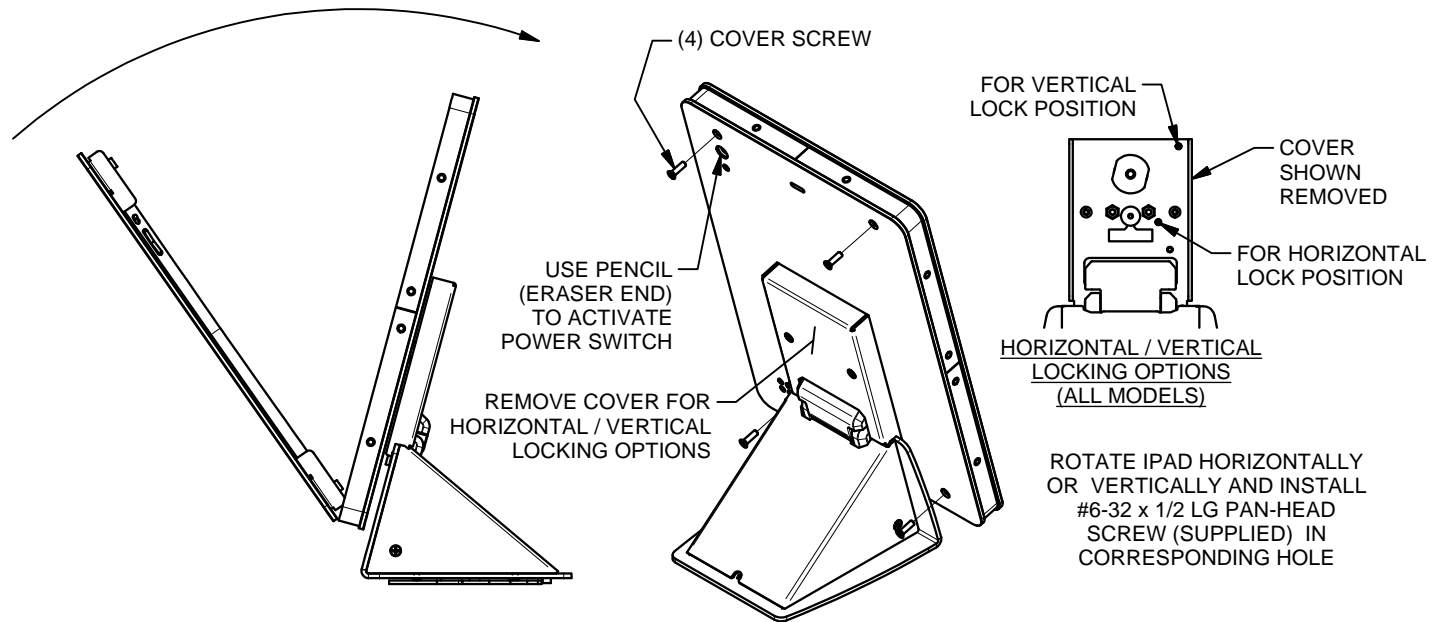


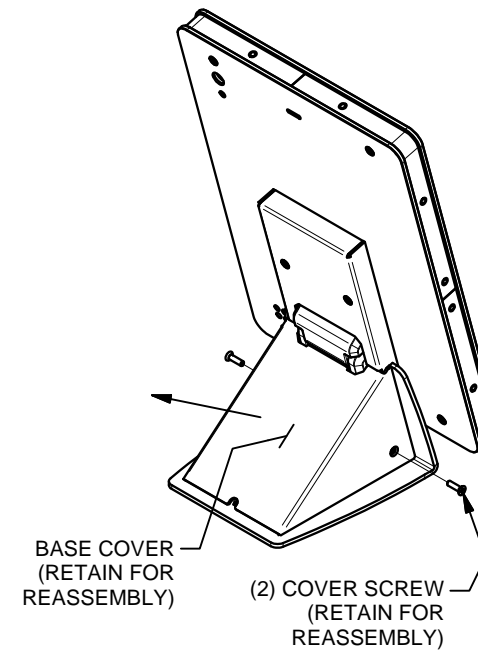
6a. PLACE IPAD ONTO FRONT PANEL AND CONNECT CONNECTOR.



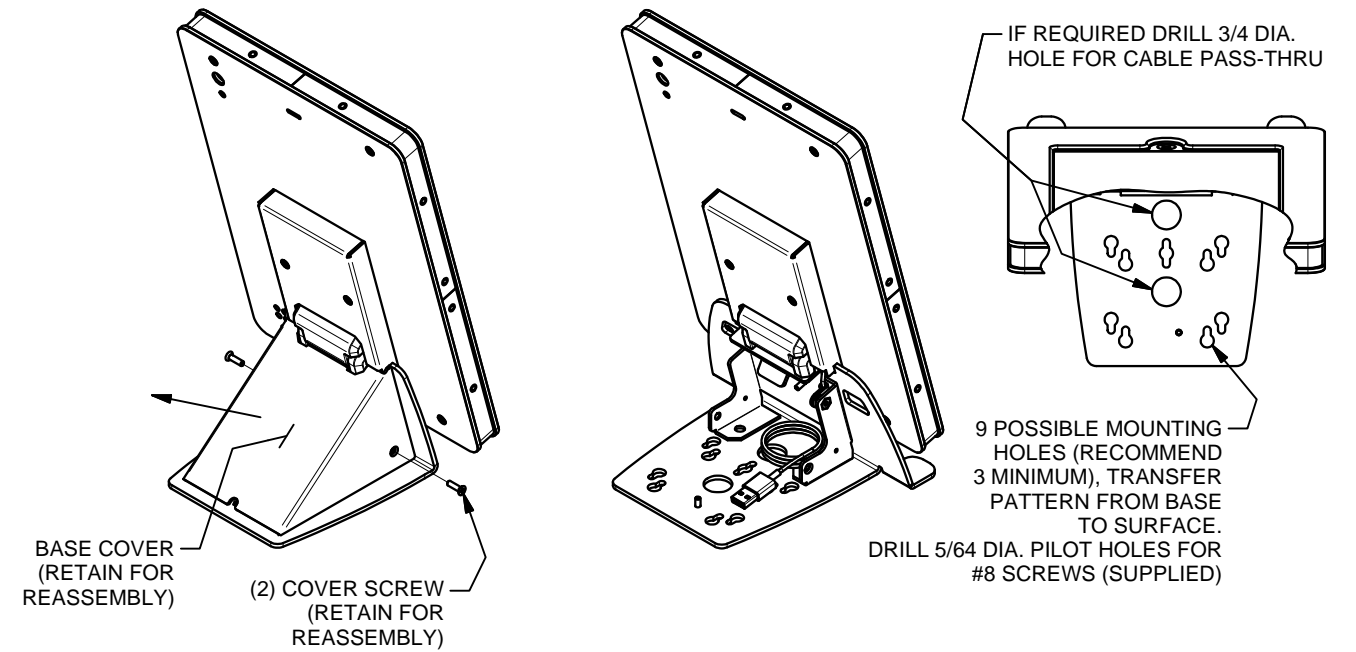
6b. REINSTALL FRONT PANEL AS SHOWN BELOW WHILE HOLDING IPAD IN PLACE. SECURE WITH ORIGINAL SCREWS.



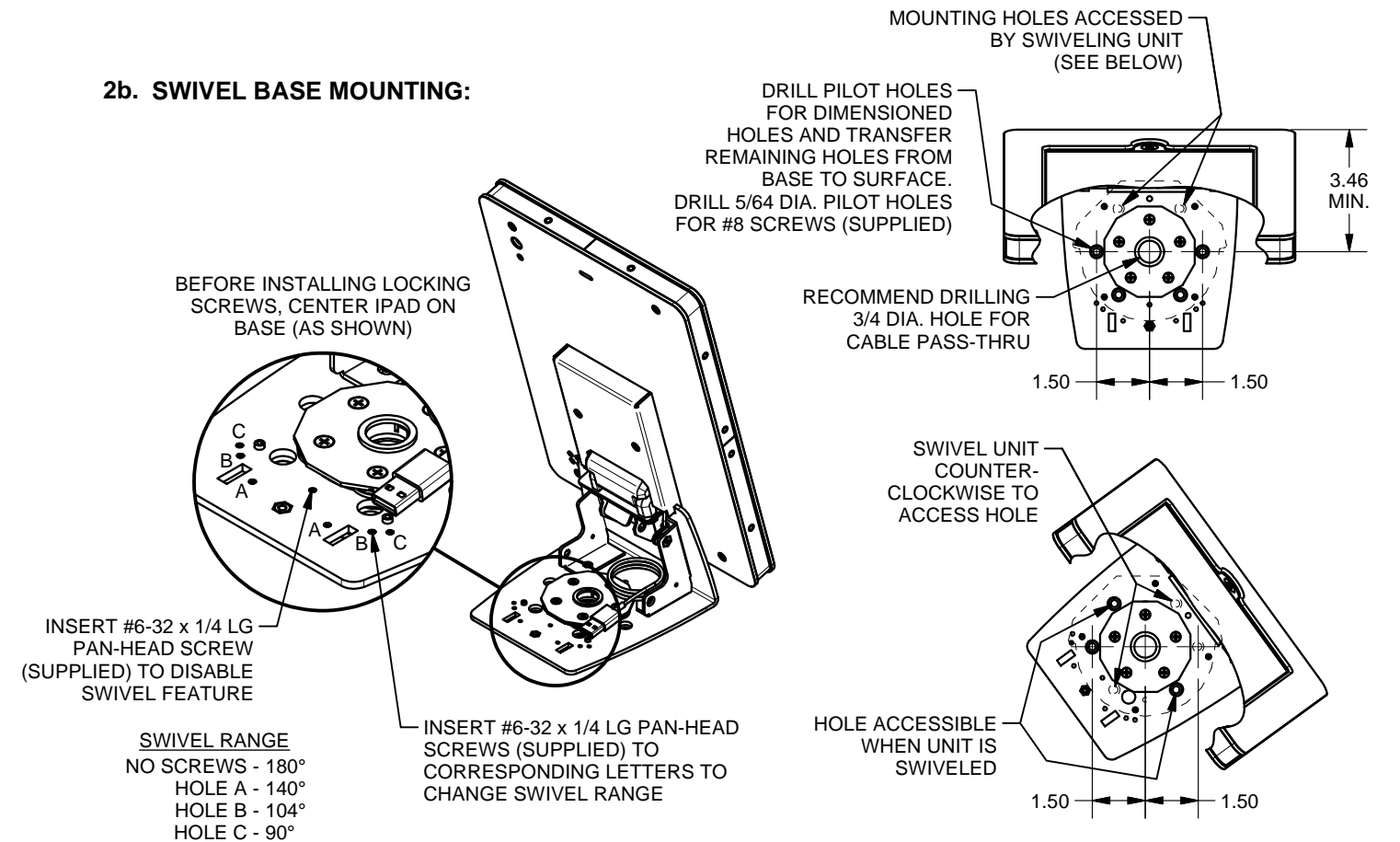
1. REMOVE BASE COVER.



2a. STANDARD BASE MOUNTING:

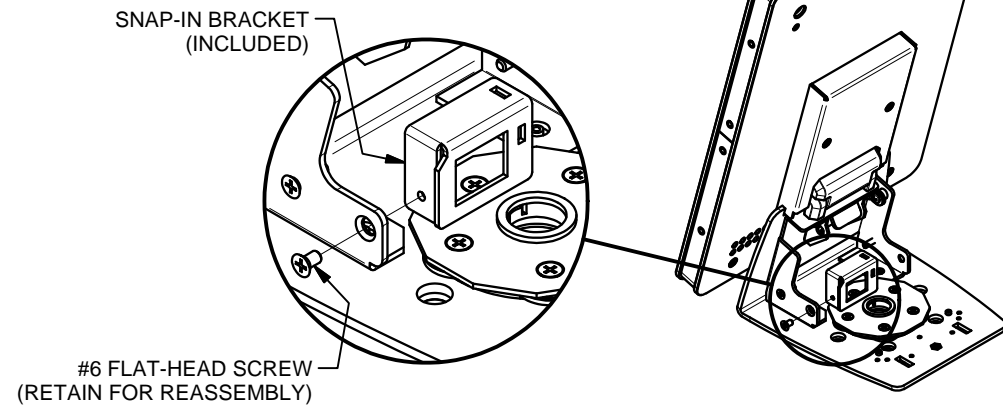


2b. SWIVEL BASE MOUNTING:

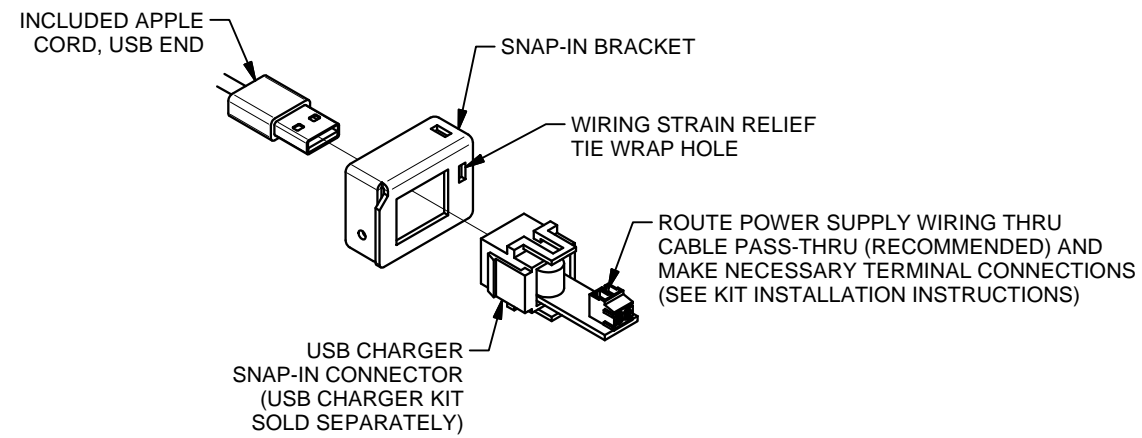


3. SKIP TO STEP 4 IF NOT USING USB CHARGER SNAP-IN CONNECTOR OPTION.

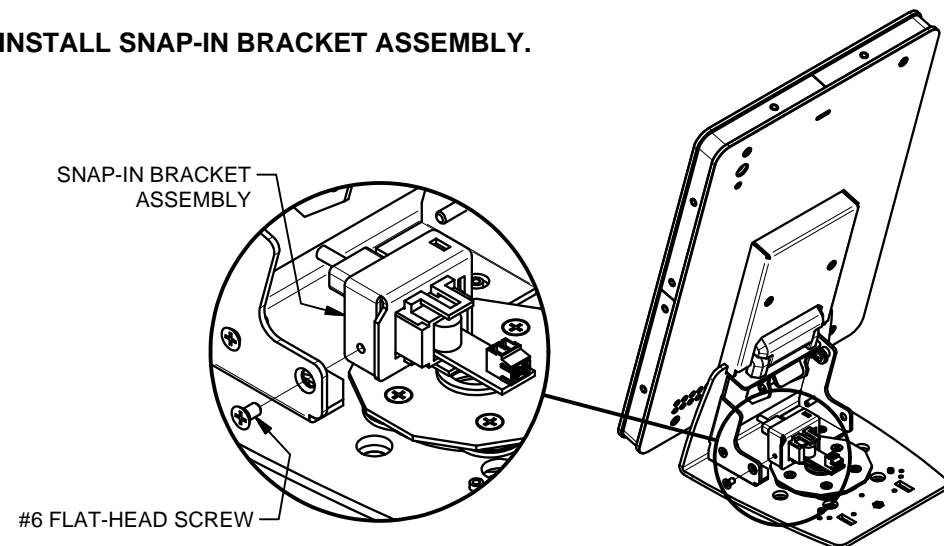
3a. REMOVE SNAP-IN BRACKET.



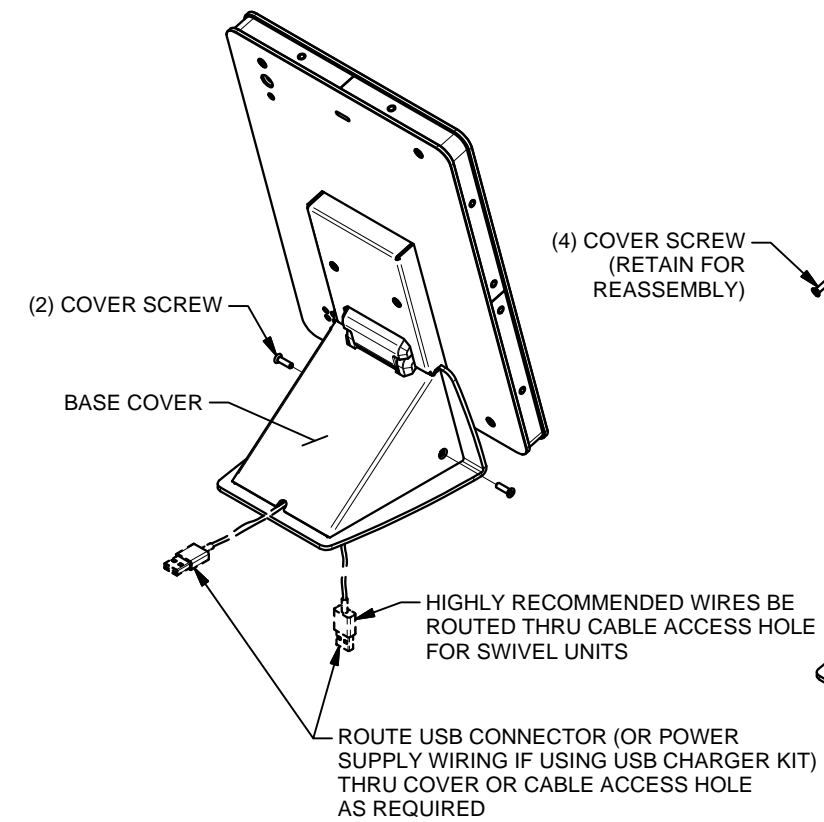
3b. INSTALL USB CHARGER SNAP-IN CONNECTOR ONTO SNAP-IN BRACKET. CONNECT USB END TO USB CHARGER.



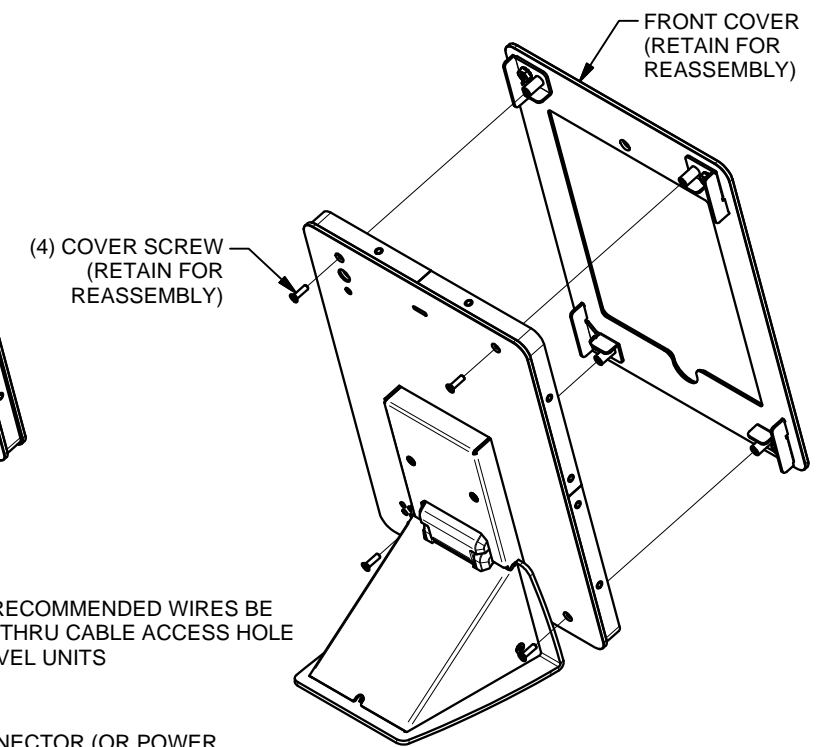
3c. REINSTALL SNAP-IN BRACKET ASSEMBLY.



4. REASSEMBLE BASE COVER.



5. REMOVE FRONT COVER.



6. REASSEMBLE FRONT PANEL WITH IPAD. EXPLODED VIEW FOR REFERENCE. SEE BACK PAGE FOR FINAL ASSEMBLY.

