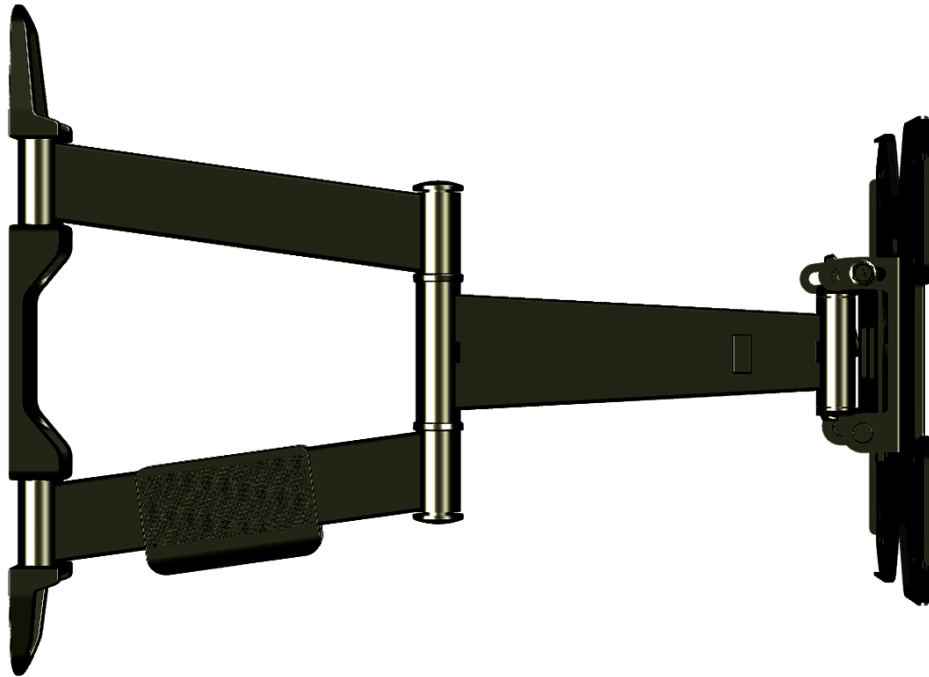




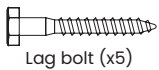
SM-ART2-M
Strong™ Medium Single-arm Articulating Mount
(Black)



Install Guide

Hardware kit

Bag 1



Lag bolt (x5)



Lag washer (x5)



Concrete wall anchor (x5)



M4 x 12mm Philips head screw (x4)



M4 x 15mm Philips head screw (x4)



M4 x 20mm Philips head screw (x4)

Bag 2



M5 x 12mm Philips head screw (x4)



M5 x 15mm Philips head screw (x4)



M5 x 20mm Philips head screw (x4)



M5 x 30mm Philips head screw (x4)



M6 x 12mm Philips head screw (x4)



M6 x 15mm Philips head screw (x4)



M6 x 20mm Philips head screw (x4)



M6 x 30mm Philips head screw (x4)

Bag 3



M6x 50mm Philips head screw (x4)



M8 x 15mm Philips head screw (x4)



M8x 20mm Philips head screw (x4)



M8x 50mm Philips head screw (x4)



M5 (16 x 5.3 x 1.5mm) metal washer (x8)



M8 (20 x 8.4 x 2mm) metal washer (x8)



M4/M5 spacer (x8)



M6/M8 spacer (x8)

Box contents

- Wall Arm Assembly (x1)
- Adapter Plate (x1)
- Hardware kit (x1) Tools required

Tools required

- Power drill
- Screwdriver, Philips head
- 1/4" (6mm) Drill bit
- 3/8" (10mm) Masonry bit
- Level

Warnings

- Installation by a qualified professional is highly recommended.
- Do not begin installation until these instructions have been thoroughly read and understood.
- This mount supports display mounting from VESA 100x100, 200x100 & 200x200, and supports a maximum load of 80 lbs (36.4 kg).
- Ensure the wall that you plan to use can safely support four times the combined weight of the mount and your chosen display.
- The manufacturer does not accept responsibility for incorrect installation.

Specifications

- Maximum load: 80 lbs (36.4 kg)
- Maximum extension: 18.1"
- Wire management
- Pan/swivel range: 270°
- Tilt range: +5° / -10°
- Level correction: ±5°
- Collapsed depth: 2.1"



CAUTION:

This wall mount is intended for use only with the maximum weight of 80 lbs (36.4 kg).

Installation instructions

Step 1: Use Wall Plate to mark mounting hole locations

The use of a stud finder is highly recommended.

Step 2: Mount the Wall Arm Assembly for mounting on a stud wall (Fig 1)

- Pre-drill five holes into the stud using a 1/4" (6mm) drill bit. Be sure to drill into the center of the studs.
- Insert five lag bolts with lag washers into holes through the Wall Plate and tighten down. Be sure the Wall Arm Assembly is mounted with the arrows pointing upwards.

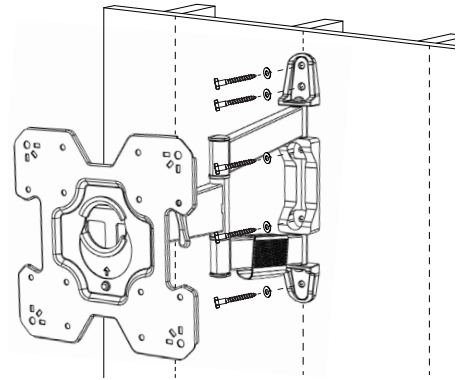


Fig 1

Caution: Tighten bolts so that the Wall Plate is firmly attached, but do not over tighten. Over tightening can damage the screws, greatly reducing their holding strength.

For mounting on a concrete wall (Fig 2)

- Pre-drill five holes into concrete using 3/8" (10mm) drill bits. Insert Concrete Wall Anchors and tap in with hammer, if necessary.

Caution: When installing Wall Arm Assembly on cinder block, verify first that you have a minimum of 1-3/8" of concrete thickness to be used for the Concrete Wall Anchors. Do not drill into mortar joints! Be sure to mount in a solid part of the block, generally 1" minimum from the side of the block.

The cinder block must meet ASTM C-90 specifications. It is suggested that a standard electric drill on slow setting is used to drill the hole instead of a hammer drill to avoid breaking out the back of the hole when entering a void or cavity. Concrete must be 2000 psi density minimum. Lighter density concrete may not hold concrete anchor.

Make sure that the supporting surface will safely support the combined load of the equipment and all attached hardware and components.

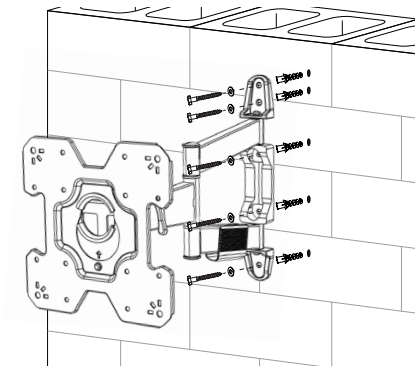


Fig 2

- Insert five lag bolts with lag washers into the Wall Anchors through the Wall Plate. Be sure the Wall Arm Assembly is mounted with the arrows pointing upwards.

Caution: Tighten screws so that wall plate is firmly attached, but do not over tighten. Over tightening can damage the screws, greatly reducing their holding strength.

Step 3: Attach the Adapter Plate to the display

- Remove locking screw from Adapter Plate and detach it from the Wall Arm Assembly (Fig 3).
- Attach the Adapter Plate to the display using M4, M5, M6, or M8 screws. For displays with a hole pattern in a pocket or inputs behind Adapter Plate, spacers go between Adapter Plate and display (Fig 4).

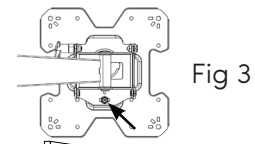


Fig 3

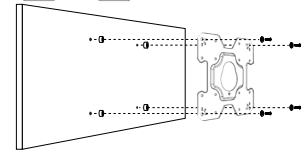


Fig 4

Step 4: Attach the Adapter Plate with Display to Wall Arm Assembly

- Attach Adapter Plate and Display onto Wall Arm Assembly, ensuring the hook slides into the adapter hole. (Fig 5).
- Using a Philips Head Screwdriver, tighten down the locking screw located on the Wall Arm Assembly into the threaded hole in the Adapter Plate.

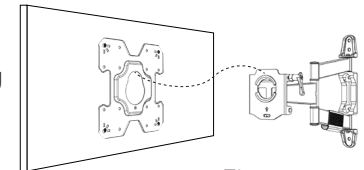


Fig 5

Step 5: Adjust the tilt and/or roll

Tilt adjustment

Loosen the Tilt Lever (Only enough to allow controlled adjustment), then adjust the tilt and use the Tilt Lever to lock the plate in place.

Note: Once locked, you may reposition the tilt lever while maintaining its tightness. Pull the lever outward and reposition as desired.

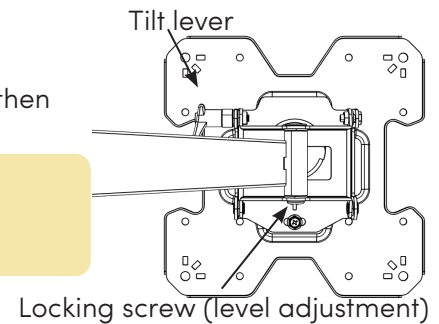


Fig 6

Horizontal level adjustment (roll)

Loosen the locking Philips head screw on the back of the Wall Arm Assembly Mounting Head (Fig 6). Next, firmly hold opposite corners of the display and gently turn it into the desired position. When level, re-tighten the set screw to lock in the position.

Step 6: Wire management

A wire management clip is located on the bottom extension arm (Fig 7). Remove the clip from the arm, lay wires in the clip, and reattach the clip to the arm.

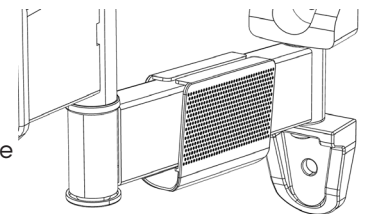


Fig 7

Warranty and Legal Notices

Find details of the product's Limited Warranty at snapone.com/legal/ or request a paper copy from Customer Service at **866.424.4489**. Find other legal resources, such as regulatory notices and patent and safety information, at snapone.com/legal/.

Copyright ©2023, Snap One, LLC. All rights reserved. Snap One its respective logos are registered trademarks or trademarks of Snap One, LLC (formerly known as Wirepath Home Systems, LLC), in the United States and/or other countries. Strong is also a registered trademark or trademark of Snap One, LLC. Other names and brands may be claimed as the property of their respective owners. Snap One makes no claim that the information contained herein covers all installation scenarios and contingencies, or product use risks. Information within this specification subject to change without notice. All specifications subject to change without notice.