



engineered by  
Snap  
av

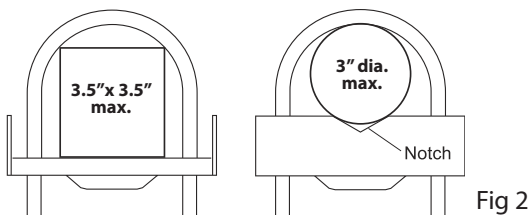
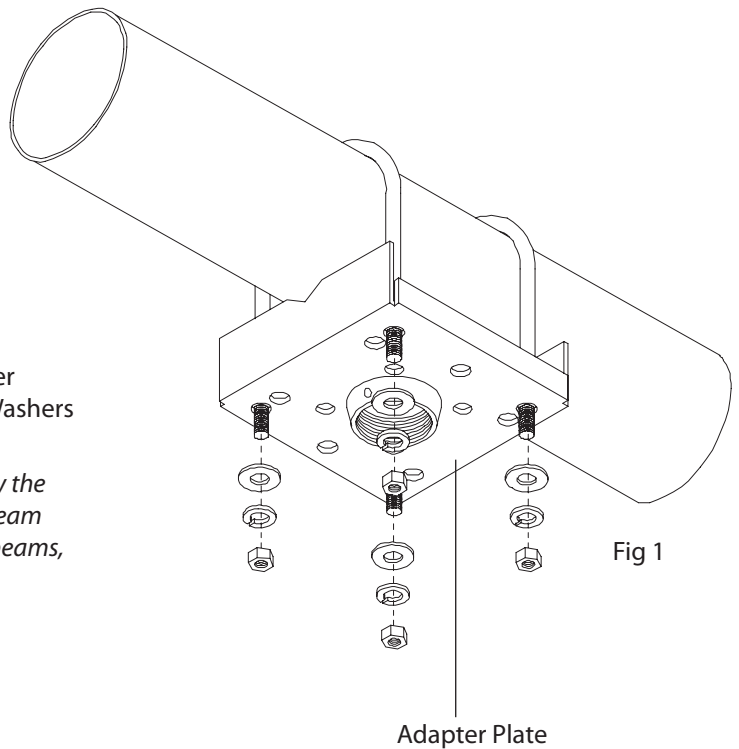
# SM-CEILING-TRUSS

Strong™ Truss Mount Adapter for Ceiling Mounts  
with 1-1/2 in. NPT Threading (Black)

## INSTALLATION

1. Position the "U" Bolts over the top of the truss in the desired location
2. Slide the Adaptor Plate onto the "U" bolts - under the truss - and attach with the Hex Nuts, Lock Washers and Washers (Fig 1).

*Note: The orientation of the plate is determined by the shape of the truss (Fig 2). For square beams, the beam will sit in between the two side pieces. For round beams, the beam will sit in the notch.*



3. Attach the extension column using a level to ensure the column is straight.
4. Attach the desired mounting plate to the end of the column.

Lifetime Limited Warranty  
Strong™ Mounts have a Lifetime Limited Warranty. This warranty includes parts and labor repairs on all components found to be defective in material or workmanship under normal conditions of use. This warranty shall not apply to products which have been abused, modified or disassembled. Products to be repaired under this warranty must be returned to SnapAV or a designated service center with prior notification and an assigned return authorization number (RA).

For Technical Support call 1.866.838.5052