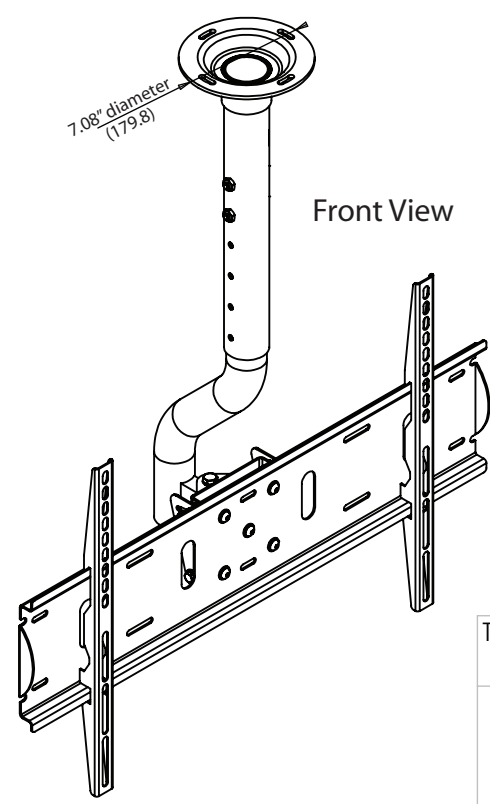
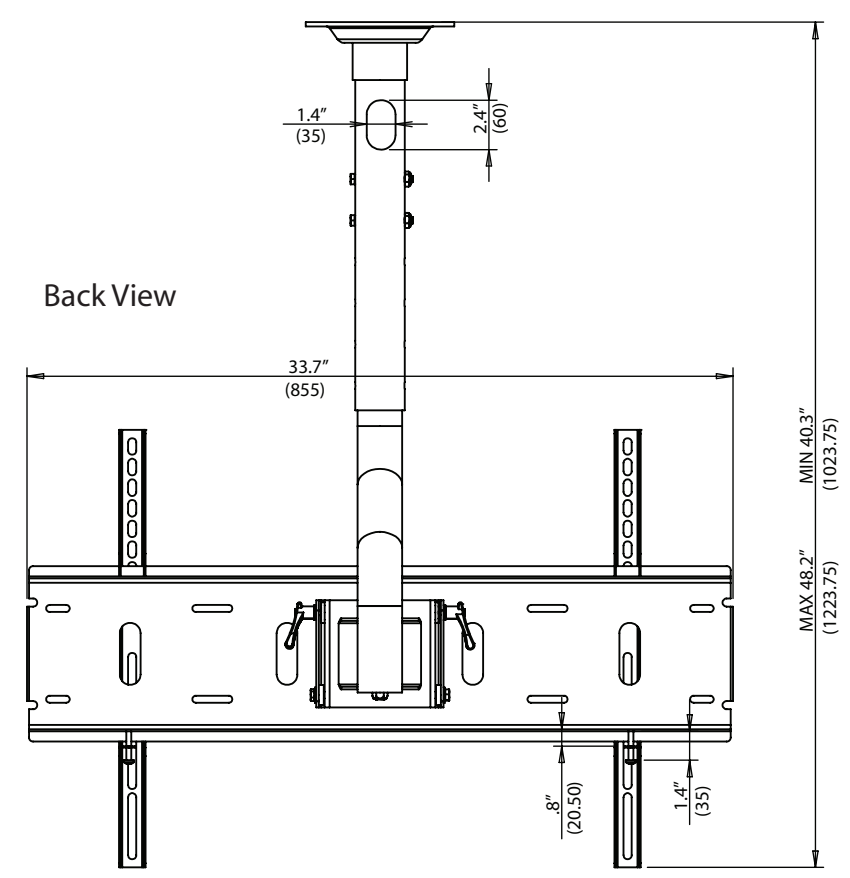
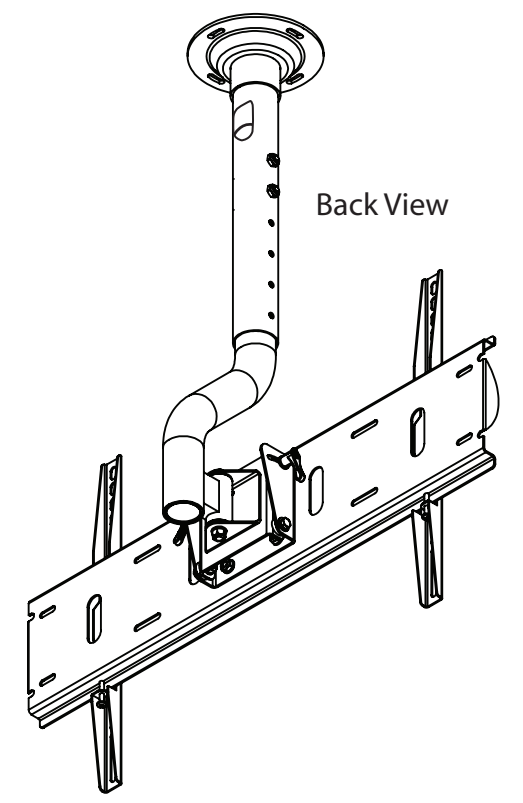
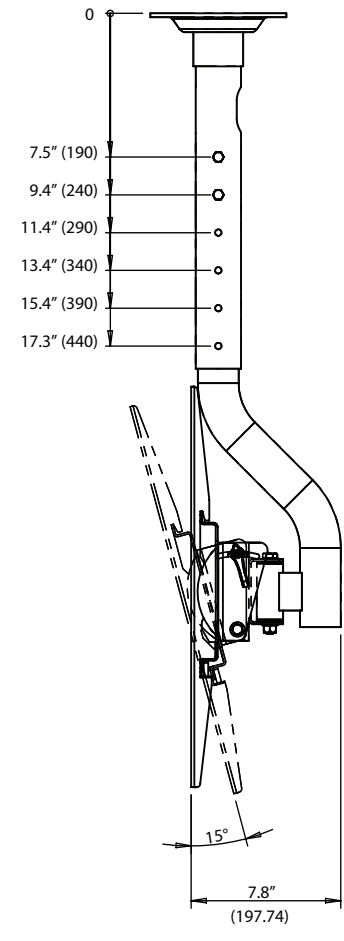
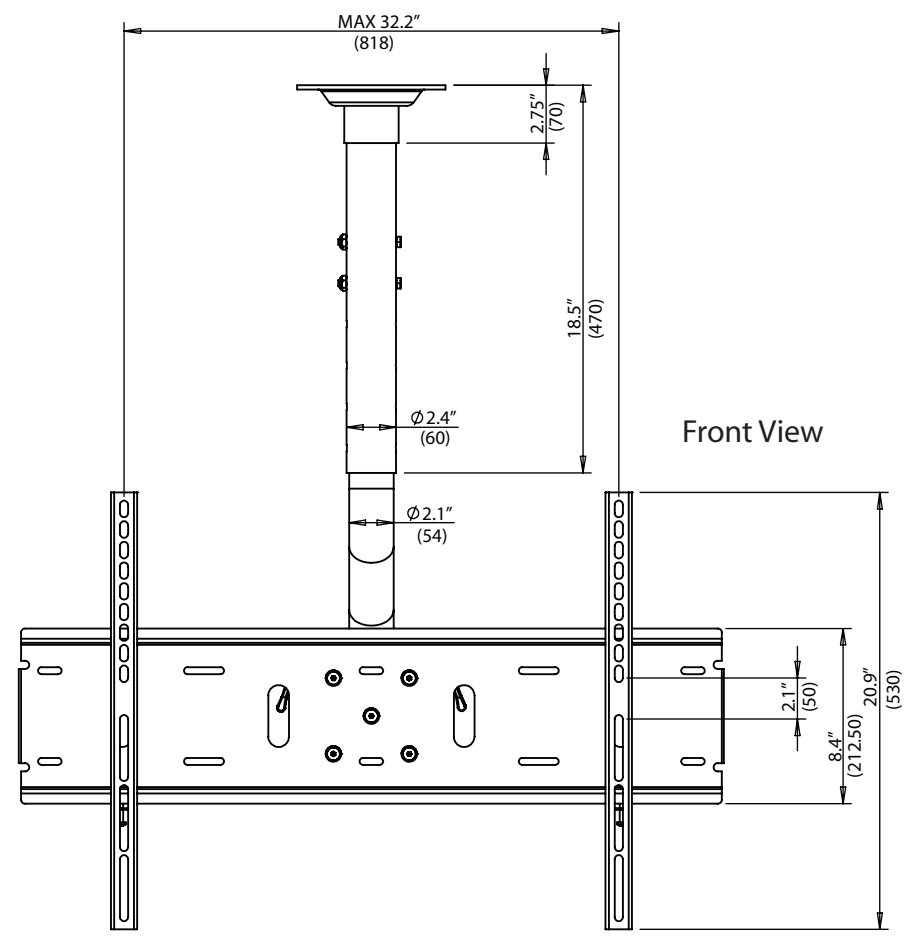


8 7 6 5 4 3 2 1

D
C
B
A



8 7 6 5 4 3 2 1

PROPRIETARY AND CONFIDENTIAL
THE INFORMATION CONTAINED IN THIS DRAWING IS THE SOLE PROPERTY OF STRONG MOUNTS AND LIFTS. ANY REPRODUCTION IN PART OR AS A WHOLE WITHOUT THE WRITTEN PERMISSION OF SNAP AV IS PROHIBITED

TITLE: CUSTOMER PRINT		
STRONG		
SIZE B	PART NO. SM-CM-T-L	REV A
NOT TO SCALE		SHEET 1 OF 1

D
C
B
A