



engineered by
Snap
av

SM-CM-T-L

Strong™ Universal Ceiling Mount



HARDWARE KIT

Bag 1



(A) M4x10
Bolt (x4)



(B) M4x20
Bolt (x4)



(C) M4x30
Bolt (x4)



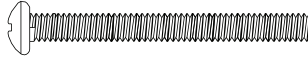
(D) M4x40
Bolt (x4)



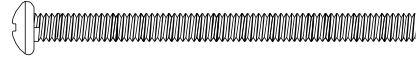
(E) M5x10
Bolt (x4)



(F) M5x20
Bolt (x4)



(G) M5x30
Bolt (x4)



(H) M5x40
Bolt (x4)



(I) M6x10
Bolt (x4)



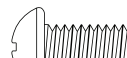
(J) M6x20
Bolt (x4)



(K) M6x30
Bolt (x4)



(L) M6x40
Bolt (x4)



(M) M8x10
Bolt (x4)



(N) M8x20
Bolt (x4)



(O) M8x30
Bolt (x4)



(P) M8x40
Bolt (x4)



(Q) M4/M5
Nylon Spacer (x8)



(R) M6/M8
Nylon Spacer (x8)



(S) M5 Washer (x16)



(T) M8 Washer (x8)

Bag 2



(U) M8x63
Lag Bolt (x4)



(V) M8 Lag
Bolt Washer (x4)



(W) Concrete
Anchor (x4)

Bag 3



(X) Hex Bolt (x2)



(Y) Nylock Nut (x2)

WARNINGS

- These instructions must be read and understood prior to attempting installation. Professional installation or assistance is recommended.
- This mount is intended for use only with a maximum weight of 165 lbs (75 kg). Use with weights heavier than this may result in instability causing possible injury.
- The mounting surface must be capable of supporting the combined weight of the mount and the display.
- Safety gear and proper tools must be used. Failure to do so can result in property damage and/or injury.
- A minimum of two people are required for this installation. Do not attempt to install this mount alone under any circumstance.
- Follow all instructions and recommendations regarding adequate ventilation and suitable locations for mounting your display. Consult the owner's manual for your display for more information

TOOLS REQUIRED:

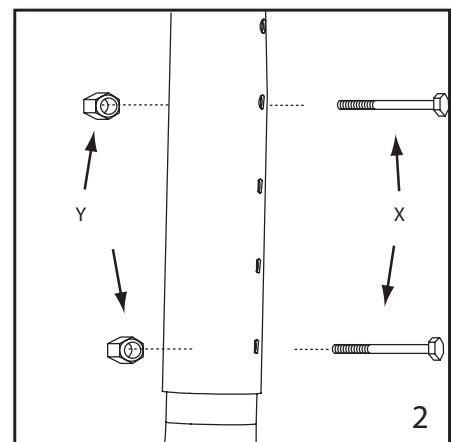
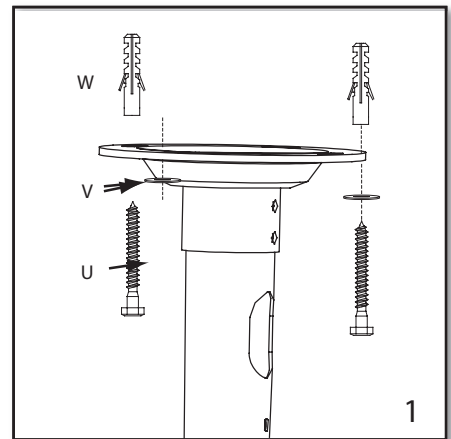
Ratchet; 1/2", 13mm, 14mm, 17mm sockets; Phillips Head Screwdriver; Power Drill; & 3/16 drill bit.



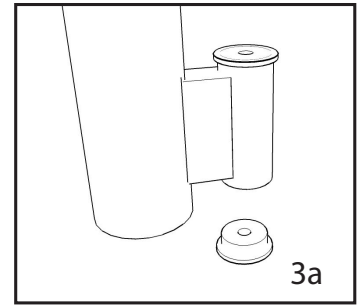
CAUTION: This wall mount is intended for use only with the maximum weight of 165 lbs

INSTALLATION INSTRUCTIONS

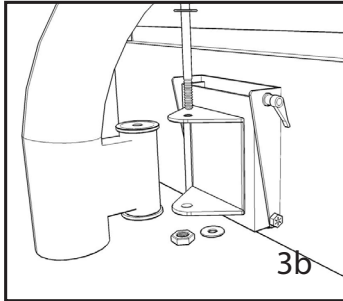
1. Pre-Drill holes for Lag Bolts in ceiling using 3/16 drill bit. Attach the upper portion of the mount to the ceiling using (4) four Lag Bolts (U) and (4) Lag Bolt Washers (V). Use the Concrete Anchors (W) only if you are installing the mount to a Concrete Ceiling.
2. Insert the lower portion of the mount into the upper tube and adjust to the desired height. Secure the poles together using (2) Hex bolts (X) and (2) Nylock nuts (Y) supplied. (2) Bolts and Nuts must be used at all times.



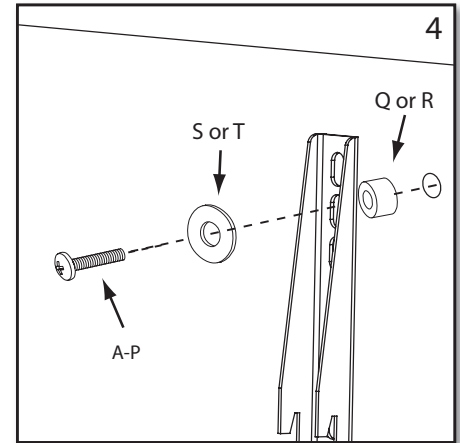
3. Insert the metal bushings into the top and bottom of the lower pole (see illustration 3a) and attach the back plate to the lower pole using the supplied Hex Bolt, Washers and Nut (See illustration 3b) with 17mm socket.



NOTE: Backplate tilt adjusting levers are oriented on the top.

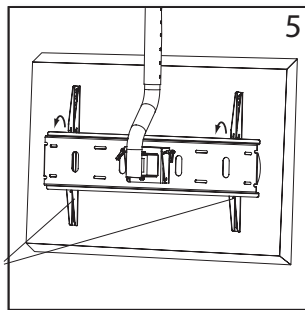


4. Attach the Mount Arms to your Display using the bolts provided with your display or the appropriate hardware from hardware kit 1. Use a washer if needed (S, T) if needed. Spacers (Q, R) should only be used for displays with curved backs or recessed mounting holes.



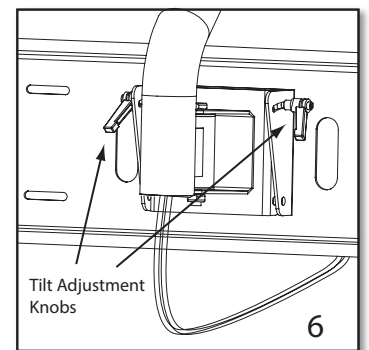
5. Using help of another person, hook the display with the mounting arms attached onto the lower portion of the mount.

IMPORTANT: Using a Phillips head Screwdriver, tighten the security screws on the bottom of the arms to make sure the display is not accidentally knocked from the mount.



Security Screws

6. To set the tilt, have one person hold the display firmly while another loosens the tilt adjustment levers (see illustration 6). Move the display to the desired tilt angle and retighten the adjustment ratchet levers. Cables may be routed through the drop down pole of the mount.



Tilt Adjustment Knobs



Lifetime Limited Warranty

Strong™ Mounts have a Lifetime Limited Warranty. This warranty includes parts and labor repairs on all components found to be defective in material or workmanship under normal conditions of use. This warranty shall not apply to products which have been abused, modified or disassembled. Products to be repaired under this warranty must be returned to SnapAV or a designated service center with prior notification and an assigned return authorization number (RA).

For Technical Support call 1.866.838.5052

121218-1550