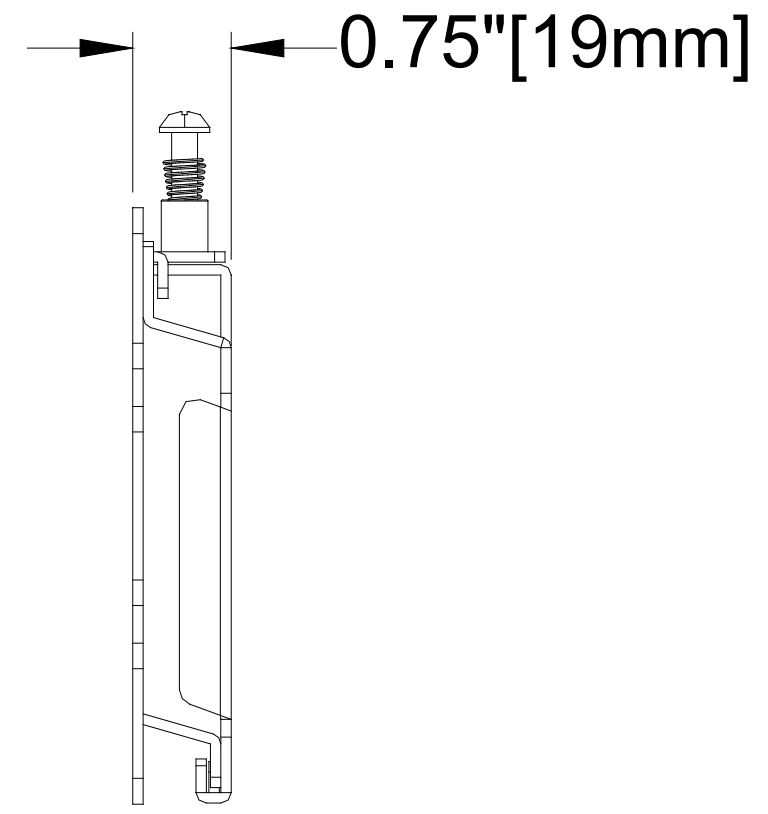
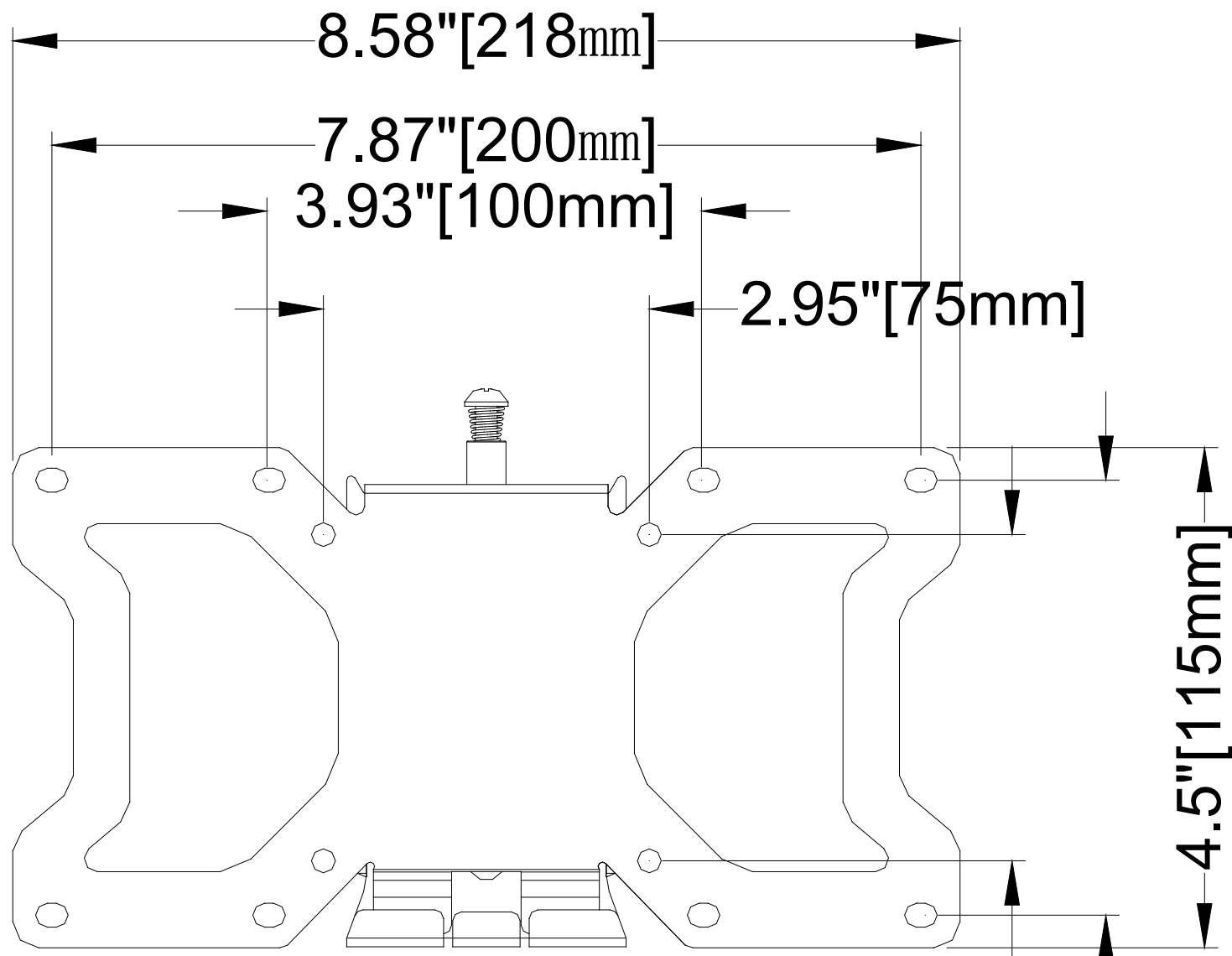


8 7 6 5 4 3 2 1

D  
C  
B  
A



D  
C  
B  
A

8 7 6 5 4 3 2 1

PROPRIETARY AND CONFIDENTIAL  
 THE INFORMATION CONTAINED IN THIS DRAWING IS THE SOLE PROPERTY OF STRONG MOUNTS AND LIFTS. ANY REPRODUCTION IN PART OR AS A WHOLE WITHOUT THE WRITTEN PERMISSION OF SNAP AV IS PROHIBITED

|                       |                       |                 |
|-----------------------|-----------------------|-----------------|
| TITLE: CUSTOMER PRINT |                       |                 |
| <b>STRONG</b>         |                       |                 |
| SIZE<br><b>B</b>      | DWG. NO.<br>SM-FLAT-S | REV<br><b>C</b> |
| NOT TO SCALE          |                       | SHEET 1 OF 1    |