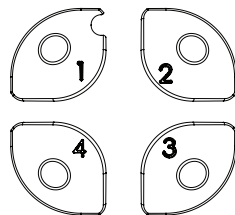


# IPAD 2 INSTALLATION INSTRUCTIONS

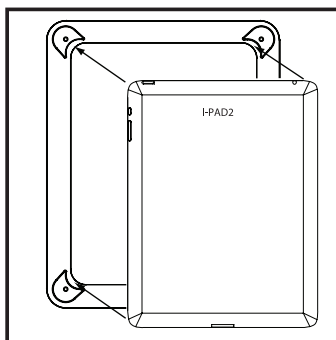
For Strong™ SM-PAD Mounts



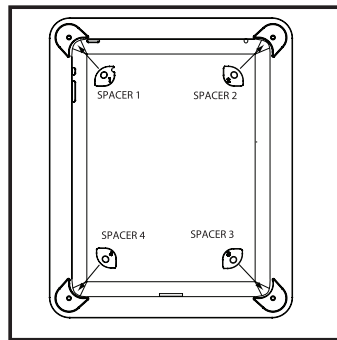
## PARTS NEEDED

- iPad 2 Spacers numbered 1-4

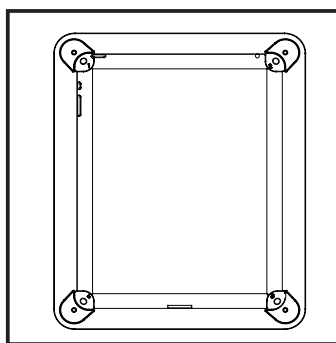
## INSTALLATION INSTRUCTIONS



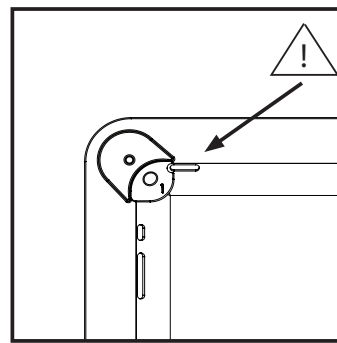
**1** After removing the bezel from the iPad Mount, place it face down on a solid surface. Carefully install the iPad 2 face down.



**2** Each iPad 2 spacer is embossed with a number. Locate spacer 1 and install in the top left corner. Once in place, install the remaining three spacers in numerical order, working clock-wise around the iPad.

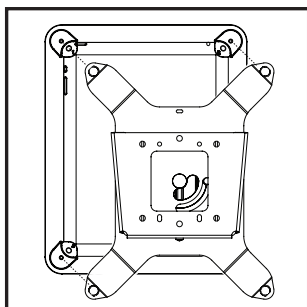


**3** After all spacers are in place, ensure they are correctly seated by applying downward pressure to each one, snapping them in place.

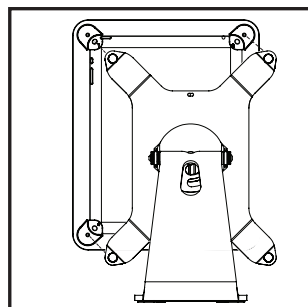


**4** Confirm that spacer 1 is not interfering with the power button.

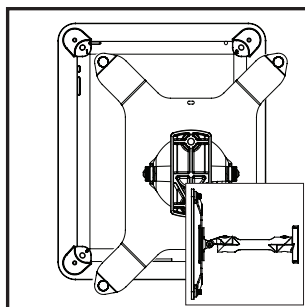
**5** Complete the assembly by attaching the back plate to the bezel using the four post screws. Ensure the iPad 2 spacers do not move during installation.



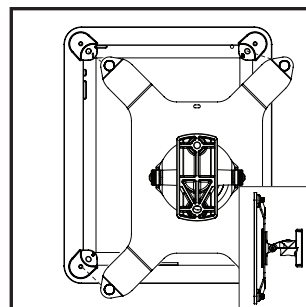
SM-PAD-LIFT



SM-PAD-STAND



SM-PAD-ART1



SM-PAD-SWIVEL