



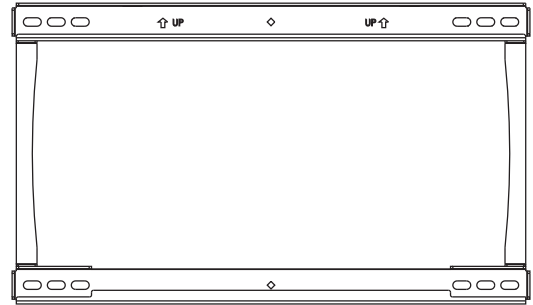
SM-RAZOR-ART1-BKT-20

Dual Stud Mounting Bracket

Introduction

The Strong™ SM-RAZOR-ART1-BKT-20 Dual Stud Mounting Bracket is designed for use with the SM-RAZOR-ART1-M medium display mount. This accessory bracket allows the mount to be installed between stud locations on a wall with studs between 16" and 20" on center.

This accessory replaces the single stud wall bracket included with the SM-RAZOR-ART1-M mount.



1. Tools Required

- Power Drill
- 1/4" Drill Bit (wood stud mounting only)
- Phillips Head Screw Driver
- Level
- 1/2" (13mm) Socket Wrench
- Stud Finder (recommended for wood stud mounting)
- 5/16" Masonry Drill Bit (concrete mounting only)
- Hammer (concrete mounting only)

2. Package Contents

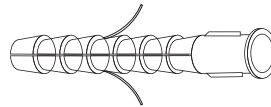
(Bracket pictured above)



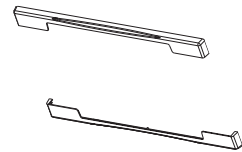
(A) M8x90 Lag Bolt (4)



(B) Washer
9.5x21x2 (4)



(C) Concrete Anchor
10x80 (4)



(D) Wall Bracket
Covers (2)

3. Warnings

- Installation of this product should be done by a qualified professional.
- Do not begin installation before reviewing and understanding these instructions.
- Ensure the mounting wall used can safely support 4 times the combined weight of the mount and chosen display.
- The manufacturer does not accept responsibility for incorrect installation.
- This bracket is only intended for use with the Strong™ SM-RAZOR-ART1-M medium display mount. Any other use is not recommended and will not be covered under warranty.



CAUTION:

This wall mount accessory is intended for use only with the maximum weight of 50 lbs/22.67 kg. Use with heavier than the maximum weight indicated may result in instability causing possible injury. Follow the installation and operating instructions carefully.



4. Bracket Installation

Step 1. Determine the Correct Mounting Height

(Replaces Step 2 of SM-RAZOR-ART1-M installation instructions)

- Decide the height where the top edge of the display should be once installed. **(Height)**
- Measure and record the distance between the top of the display and the top of the display adapter plate (Figure 1). Make sure to measure from the flat area on top of the plate, not the curved area. **(Dimension A)**
- Insert Dimension A into the formula:

$$\text{(Height)} - 5/8'' - \text{(A)} = \text{Wall Plate Screw Height}$$

(Used in Step 2)

Example: Desired Display Height = 60"

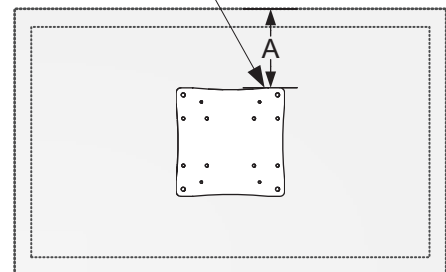
Dimension A (measured) = 6 1/2"

$$60'' - 5/8'' - 6 1/2'' = 52 7/8'' \text{ (Wall Plate Screw Height)}$$

- Mark the Wall Plate Screw height at the center line of the mount location. (Figure 2)

Figure 1.

Measure from
flat edge of plate
to top of TV



Step 2. Install the Mounting Bracket on the Wall

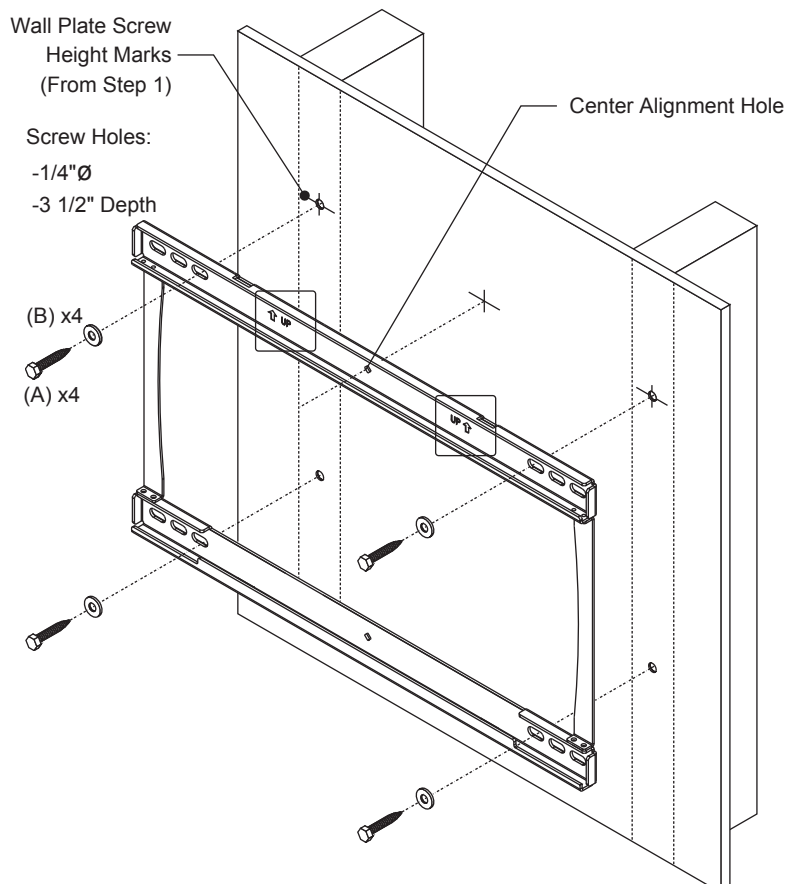
(Replaces Step 3 of SM-RAZOR-ART1-M installation instructions)

A. For Mounting on a Stud Wall:

- Using a level for guidance, hold the bracket on the wall and mark the mounting holes that will be used. Be sure that the arrows on the bracket face up toward the ceiling. (Figure 2)
- Pre-drill the holes to a depth of 3 1/2" using a 1/4" drill bit. Be sure to drill into the center of the stud. The use of a stud finder is highly recommended.
- Insert the lag screws (A) through the washers (B) and the wall plate, and thread them into the holes in the wall. Tighten the bolts so the bracket is firmly attached to the wall.

Warning: Over tightening can damage the bolts, greatly reducing their holding strength. Do not over-tighten!

Figure 2.



B. For Mounting on a Concrete Wall



Warning! For Concrete or Cinder Block Mounting:

Cinder block must meet ASTM C-90 specifications.

Concrete must be 2000 psi density minimum. Lighter density concrete may not hold concrete anchor. Verify that there is a minimum of 1-3/8" of concrete thickness to be used for the included concrete wall anchors.

Do not drill into mortar joints! Be sure to mount in a solid part of the block, generally 1" minimum from the side of the block.

It is suggested that a standard electric drill on slow setting is used to drill the hole instead of a hammer drill, to avoid breaking out the back of the hole when entering a void or cavity.

Make sure that the supporting surface will safely support the combined load of the equipment and all attached hardware and components.

Figure 3.

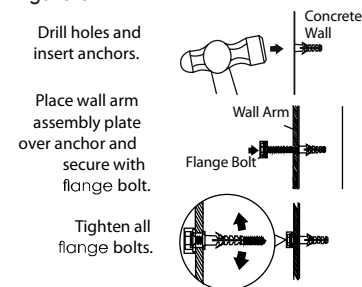
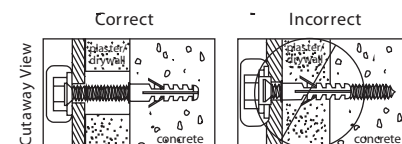
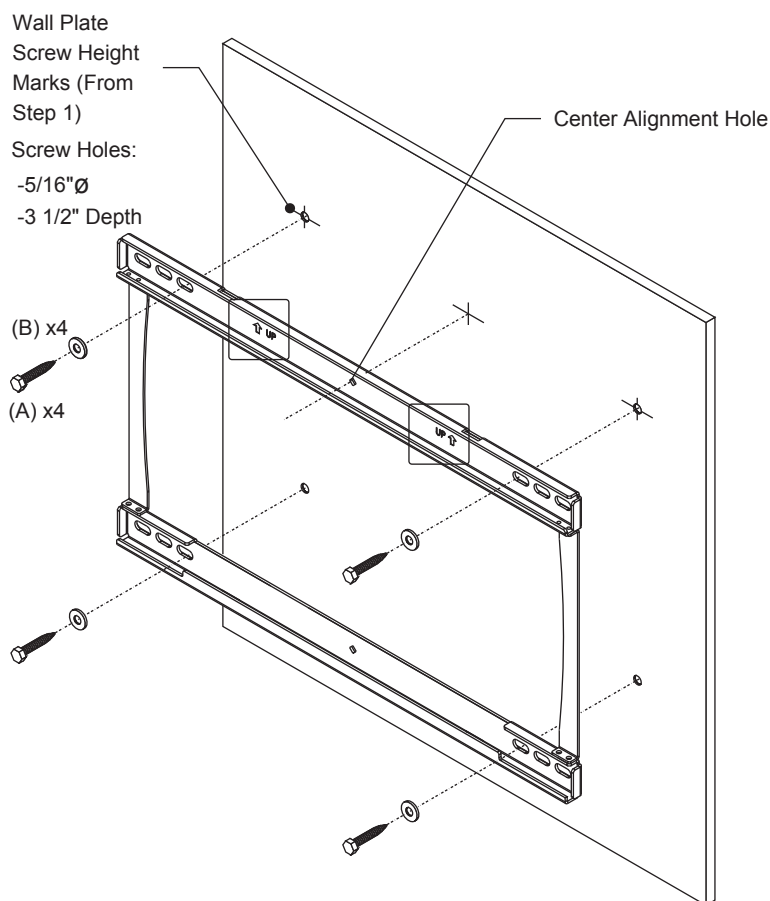


Figure 4.



1. Using a level for guidance, hold the bracket on the wall and mark the four mounting holes that will be used. Be sure that the arrows on the bracket face up toward the ceiling. (Figure 5)
2. Pre-drill the holes using a 5/16" masonry drill bit to a depth of 3 1/2". Insert the concrete walls anchors (C) and tap them in with a hammer if necessary. (Figures 3 & 4)
3. Insert the lag screws (A) through the washers (B) and the wall plate, and thread them into the wall anchors (C). Tighten all bolts so the bracket is firmly attached, but do not over-tighten.

Figure 5.

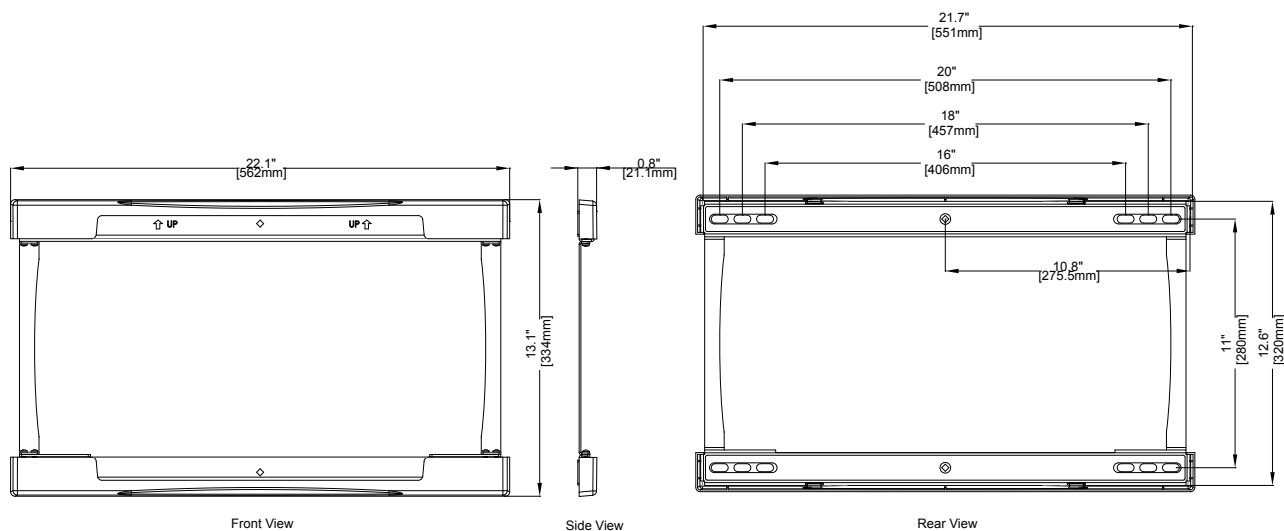


Warning: Over tightening can damage the bolts, greatly reducing their holding strength. Do not over-tighten!

Step 3. Return to the SM-RAZOR-ART1-M Installation Manual

Continue with Step 4 of SM-RAZOR-ART1-M Installation Instructions (Attach the Arm Assembly to the Wall Plate, Page 8). The remainder of the installation will be the same for either bracket.

5. Dimensions



6. Warranty



Lifetime Limited Warranty

Strong™ Mounts have a Lifetime Limited Warranty. This warranty includes parts and labor repairs on all components found to be defective in material or workmanship under normal conditions of use. This warranty shall not apply to products which have been abused, modified or disassembled. Products to be repaired under this warranty must be returned to Snap AV or a designated service center with prior notification and an assigned return authorization number (RA).

7. Contacting Technical Support

Phone: (866) 838-5052
 Email: Techsupport@snapav.com

