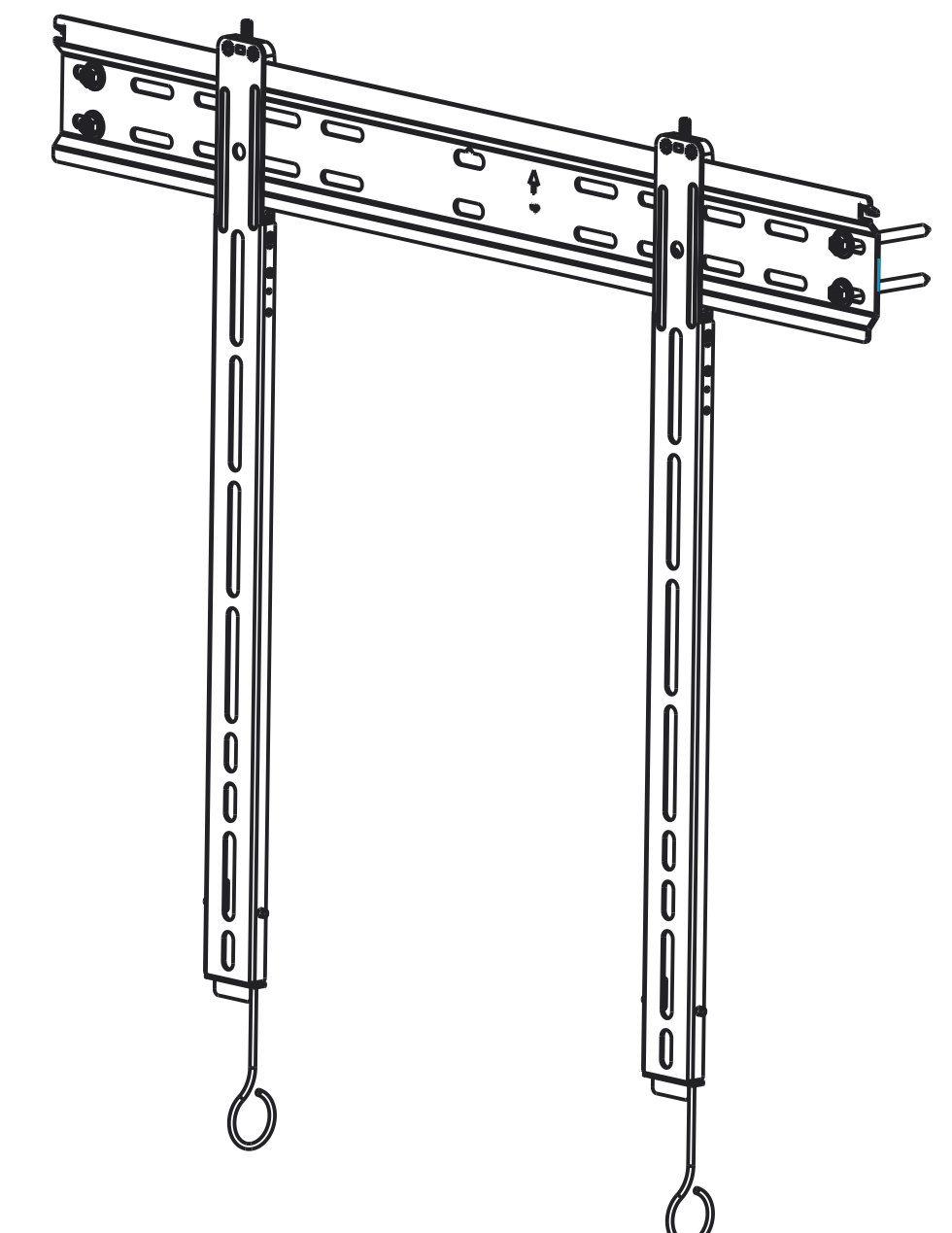
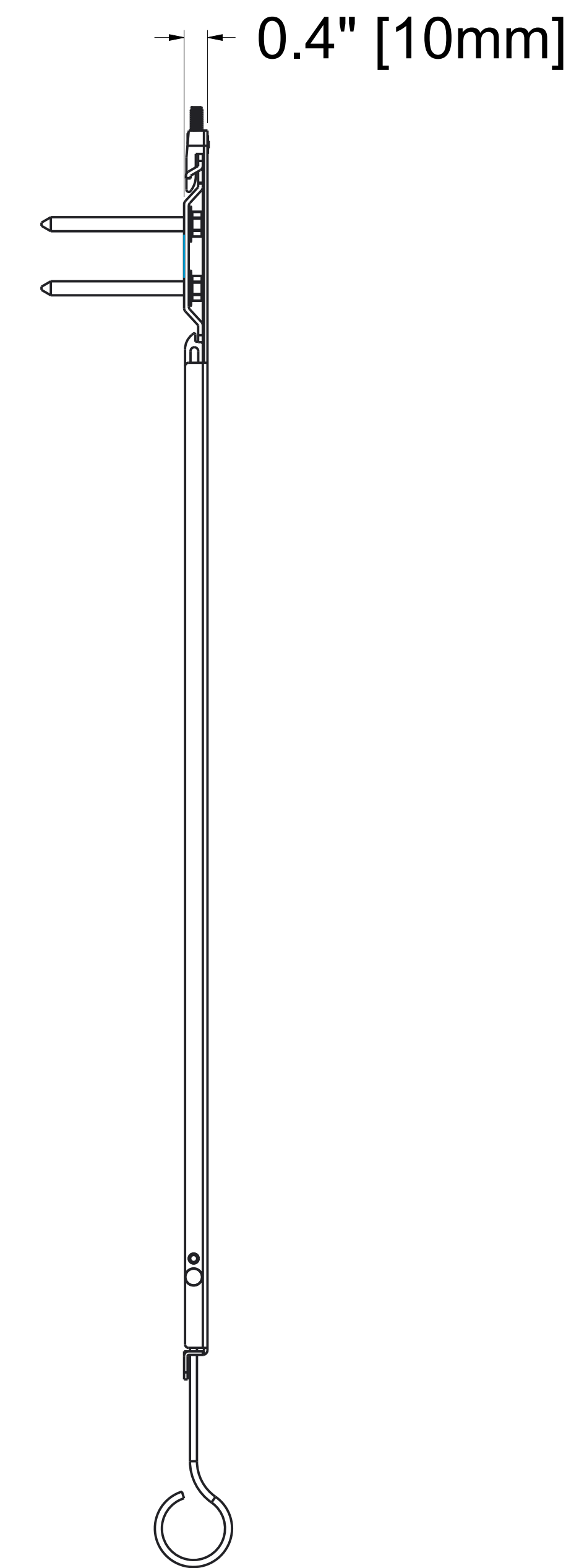


25.7" [652mm]  
 24" [609.6mm]  
 20" [508mm]  
 16" [406.4mm]  
 12" [304.8mm]  
 8" [203.2mm]

3.2" [80.5mm]  
 1.1" [27.4mm]

15.8" [401.9mm]  
 17.7" [450.18mm]  
 21.0" [534mm]

MAX: 23.7" [602mm]  
 MIN: 1.42" [36mm]



SCALE 0.250

DESIGNER		PROJECT NAME	
THIS DRAWING IS PROPERTY OF SNAPAV. AND IS LOANED UPON CONDITION THAT IT IS NOT TO BE REPRODUCED OR COPIED IN WHOLE OR IN PART, OR USED FOR FURNISHING INFORMATION TO OTHERS, OR FOR ANY OTHER PURPOSE DETRIMENTAL TO THE INTEREST OF SNAPAV AND WILL BE RETURNED UPON REQUEST.		Strong Flat Mount for Large Displays	
		TITLE	
Snapav 1800 Continental Blvd Charlotte, NC 28273 PHONE (866) 424-4489		DWG SIZE	DRAWING NO.
SHEET 1 OF 1		D	SM-RAZOR-F-L
SCALE		0.500	LEVEL
			1
			REV