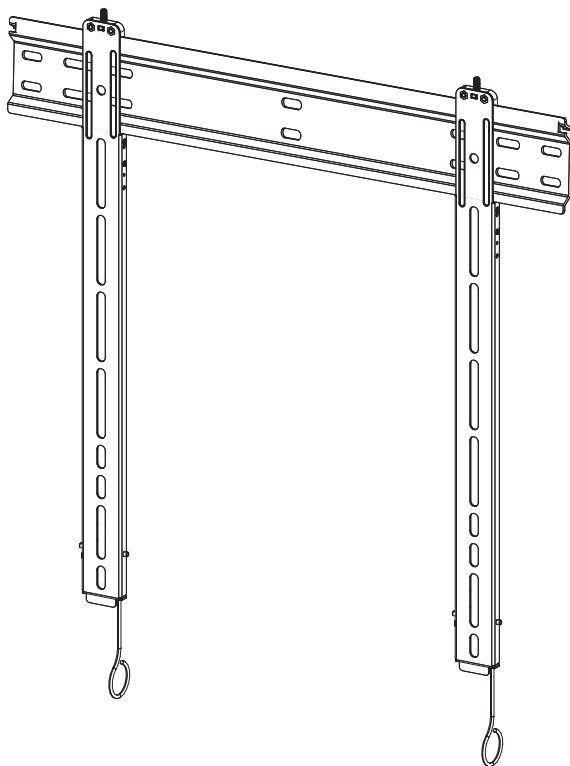




SM-RAZOR-F-M/L/XL

Strong™ Low Profile Fixed Mount for Ultra-Thin Flat-Panel TVs



INSTALLATION MANUAL

WARNINGS:

- Installation of this product should be done by a qualified professional.
- Do not begin installation before reviewing and understanding these instructions.
- Ensure the mounting wall used can safely support 4 times the combined weight of the mount and chosen display.
- The manufacturer does not accept responsibility for incorrect installation.

CAUTION:

This wall mount is intended for use only with the maximum weight of 100 lbs for models SM-RAZOR-F-M & SM-RAZOR-F-L; 150 lbs for model SM-RAZOR-F-XL. Use with heavier than the maximum weight indicated may result in instability causing possible injury.

Specifications

Maximum Flat Panel Display Weight:

SM-RAZOR-F-M	100 lbs. (45.36 kg)
SM-RAZOR-F-L	100 lbs. (45.36 kg)
SM-RAZOR-F-XL	150 lbs. (68.04 kg)

Supported VESA Patterns:

SM-RAZOR-F-M	Up to VESA 400x300
SM-RAZOR-F-L	Up to VESA 600x400
SM-RAZOR-F-XL	Up to VESA 800x600

Tools Required

- Power Drill
- 5/6" and 3/16" Drill Bit
- Phillips Head Screwdriver
- Level
- 3/8" Socket Wrench
- Hammer
- Stud Finder
- Phillips Screwdriver



Package Contents



(A) Black Hex washer head
w/ Philips Drive
M Model (x4) **L & XL Models** (x6)



(B) Concrete Wall Anchors
M Model (x4) **L & XL Models** (x6)



(C) M4 x 12mm
Philips Head Screw (x4)



(D) M4 x 20mm
Philips Head Screw (x4)



(Q) 16 x 5.3 x 1.5mm
M5 Metal Washer (x4)



(F) M5 x 12mm
Philips Head Screw (x4)



(H) M5 x 30mm
Philips Head Screw (x4)



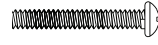
(R) 20.5 x 8.5 x 2mm
M8 Metal Washer (x8)



(I) M6 x 12mm
Philips Head Screw (x4)



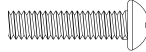
(J) M6 x 20mm
Philips Head Screw (x4)



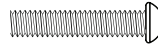
(K) M6 x 30mm
Philips Head Screw (x4)



(L) M8 x 16mm
Philips Head Screw (x4)



(M) M8 x 20mm
Philips Head Screw (x4)



(P) M8 x 40mm
Philips Head Screw (x4)
L & XL Models Only



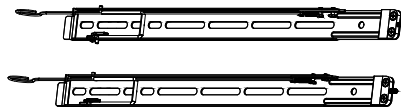
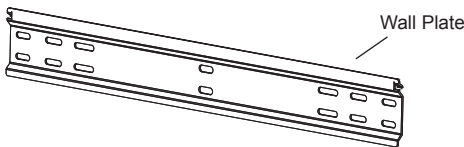
(U) M10 x 15mm
Philips Head Screw (x4)
XL Model Only



(S) OD13 x ID6 x 12mm
Black Nylon Spacer (x4)



(T) OD17 x ID8.5 x 12mm
Black Nylon Spacer (x4)
L & XL Models Only



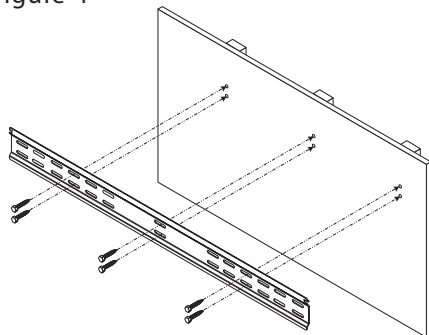
Installation

Step 1: Mount the Wall Bracket Assembly

Mounting on a Stud Wall

- A. Pre-drill holes into two wood studs using a 3/16" drill bit. Be sure to drill into the center of the studs at least 2-1/2" deep. The use of a stud finder is highly recommended.
- B. Insert the Lag screws (A) into holes through the Wall Plate and tighten. (Figure 1).

Figure 1



WARNING: Tighten bolts so that wall plate is firmly attached, but do not over-tighten. Over-tightening can damage the bolts, greatly reducing their holding strength.

Mounting on a Concrete Wall

WARNING:

When installing wall bracket on cinder block:

- Verify first that you have a minimum of 1-3/8" of concrete thickness to be used for the concrete anchors.
- Do not drill into mortar joints! Be sure to mount in a solid part of the block, generally 1" minimum from the side of the block.
- Cinder block must meet ASTM C-90 specifications.
- It is suggested that a standard electric drill on slow setting is used to drill the hole instead of a hammer drill to avoid breaking out the back of the hole when entering a void or cavity.
- Concrete must be 2000 psi density minimum. Lighter density concrete may not hold anchors.
- Make sure that the supporting surface will safely support the combined load of the equipment and all attached hardware and components.

- A. Pre-drill holes into concrete using 5/16" drill bits to a depth of 2 1/2". Insert concrete Wall Anchors (B) and tap in-with hammer, if necessary (Figures 2 & 3).
- B. Insert the four Lag Screws (A) into the Wall Anchors through the Wall Plate and tighten all bolts.

WARNING: Tighten bolts so that wall plate is firmly attached, but do not over tighten. Over tightening can damage the bolts, greatly reducing their holding strength.

Figure 2

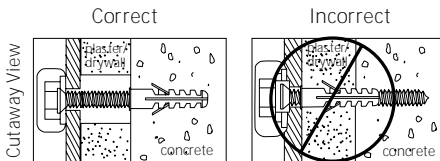
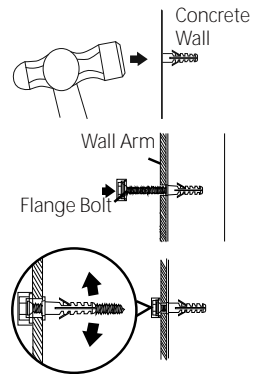


Figure 3

Drill holes and insert anchors.

Place wall arm assembly plate over anchor and secure with lag screw.

Tighten all lag screws.



Step 2: Mount Arms to TV

- A. Determine the diameter of the screw (parts C through P & U) your TV requires by carefully hand-threading one into the TV mounting holes. Stop immediately if there is any resistance.
- B. Use spacers under the mounting arms on TVs with curved backs or recessed mounting screw inserts. The screw will thread through the washers (Q or R), arms, spacers (S or T), and into the TV.
- C. Ensure the arms are installed flat side to TV and square to each other after all screws have been installed (Figure 4). Mount the arms to the TV as high as possible for easier access to the post-install leveling screws.
- D. Slide the clip up or down to lengthen or shorten the release string on the arms. Adjust the height of the Arm release to be above the bottom of the TV. (Figure 5).

Figure 4

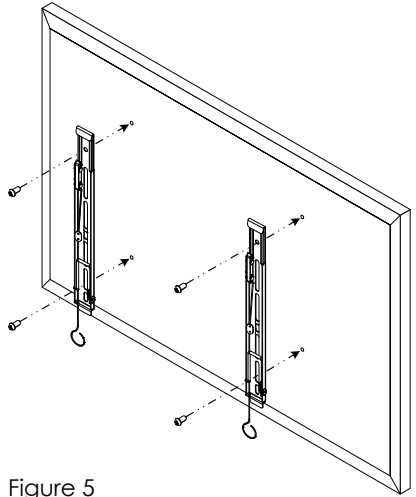
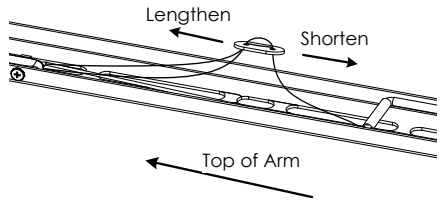


Figure 5



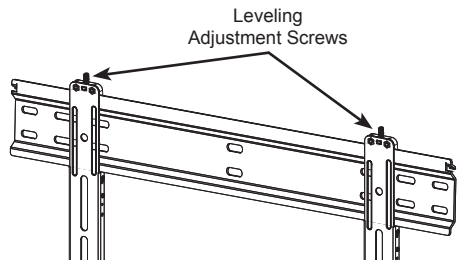
Display Leveling Adjustment

After mounting, the display may not be hanging perfectly level. The set screw at the top of each mounting hook allows either side to be adjusted using a Phillips screwdriver (Figure 6).

Place a level on one side of the display as the adjustment is made. Turn the screw clockwise to raise a side, or counterclockwise to lower a side, until the display is level.

WARNING: Turning the leveling adjustment screws too far clockwise to raise the display height could lock the display brackets to the wall plate. This could cause damage to the display or the mount when trying to disconnect the display brackets from the wall plate.

Figure 6



Step 3: Hang TV on to the Wall Plate

- A. Carefully lift the TV and place arm hooks over and onto angled lip in Wall Plate (Figure 7). Do not release the TV until it is completely connected to the Wall Plate.
- B. Gently press on the bottom of the TV to lock the arms onto the wall bracket (Figure 8).

Figure 7

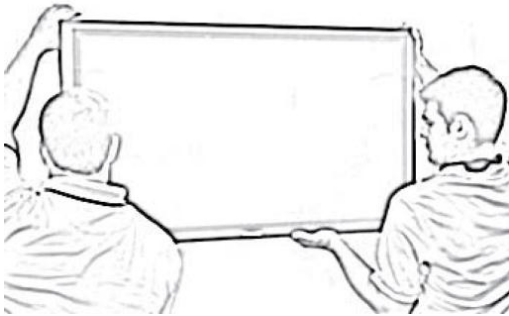
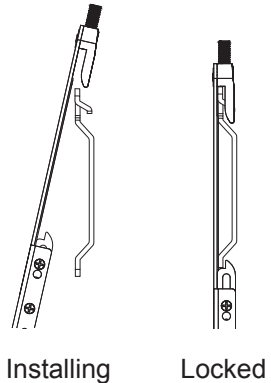


Figure 8



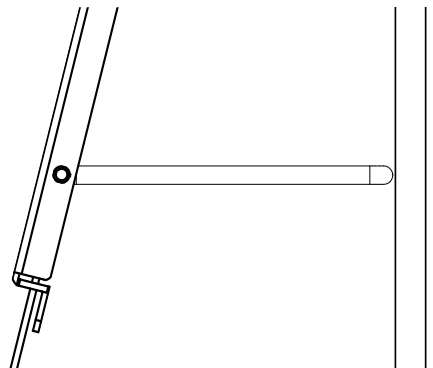
Wire Management Kickstands

The SM-RAZOR-F mounts are equipped with a kickstand that provides space between the TV and the wall for connecting or disconnecting cabling.

Note: *These kickstands are provided for servicing only. It is recommended that they are collapsed and the arms locked during normal placement.*

- A. Pull down on the rings at the bottom of the arms to release them from the wall bracket.
- B. Pull the kickstands out on each arm so that they rest on the wall (Figure 9).
- C. When finished, collapse the kickstands to allow the arms to lock onto the wall bracket.

Figure 9





Lifetime Limited Warranty

Strong™ Mounts have a Lifetime Limited Warranty. This warranty includes parts and labor repairs on all components found to be defective in material or workmanship under normal conditions of use. This warranty shall not apply to products which have been abused, modified or disassembled. Products to be repaired under this warranty must be returned to SnapAV or a designated service center with prior notification and an assigned return authorization (RA) number.

Contacting Technical Support

PHONE: (866) 838-5052

EMAIL: techsupport@snapav.com

