

SM-RAZOR-SHELF-WALL

Razor Component Shelf



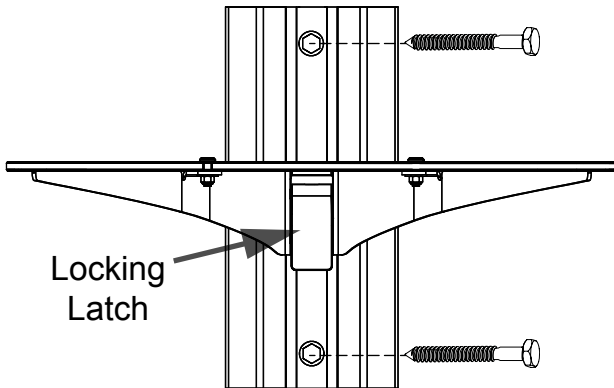
Contents

- Wall-Mounting Wire Channel
- Shelf Assembly (pre-assembled)

- Lag Bolt Cover
- Hardware Kit - Lag bolt, Wall Anchor, Allen Wrench

Installation

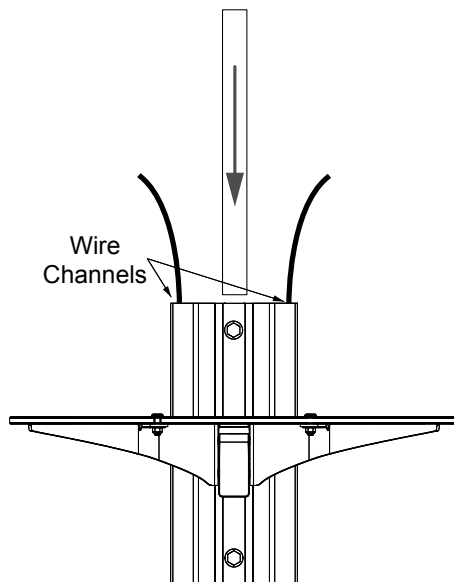
1. Remove wire management cover from top of wire channel.
2. Secure wire channel to stud with 2 lag bolts (included).



3. On the shelf assembly, pull up to release the locking latch, located underneath. Slide shelf assembly down from top to desired height. Lock shelf into place by pressing down.

Note: Use the Allen wrench (included) to adjust the tension screw underneath the locking latch (if needed).

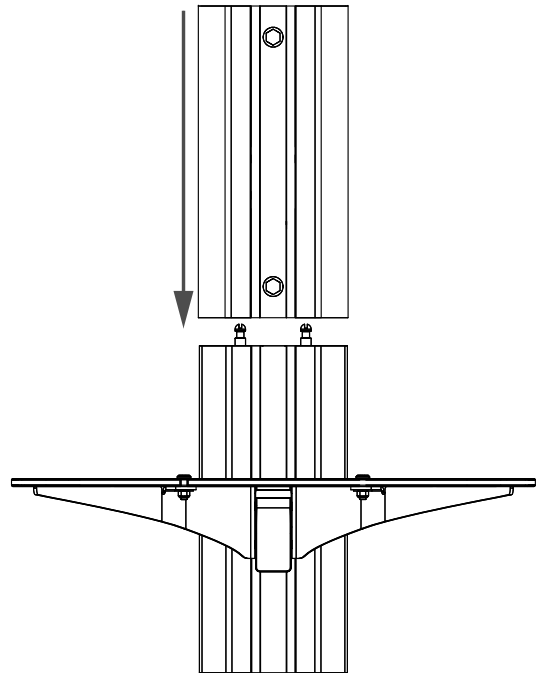
4. Slide in bolt cover from top to keep bolts discrete.



5. Route each cable as desired through the wire channels.
6. Place the cover back on top of the column to finish.

Adding Shelving Units

1. For safety, it is best to remove any items being stored on the SM-RAZOR-SHELF prior to adding new shelving.
2. Remove top cover plate of wall-mounted wire channel by lifting up with your finger to expose metal connector pins. Use the Allen wrench (included) to remove the bottom cover plate of the wire channel to be added.
3. Place metal connector pins on top of lower unit to connect to upper unit wire channel.



Tempered Glass Weight Rating	Up to 40lbs
Mounting Method	Single Stud / Concrete
Color	Black / Tempered Glass
Tempered Glass Thickness	5 mm
Dimensions:	16.75"W x 10.4"H x 14.8"D (426mm x 376mm x 264mm)