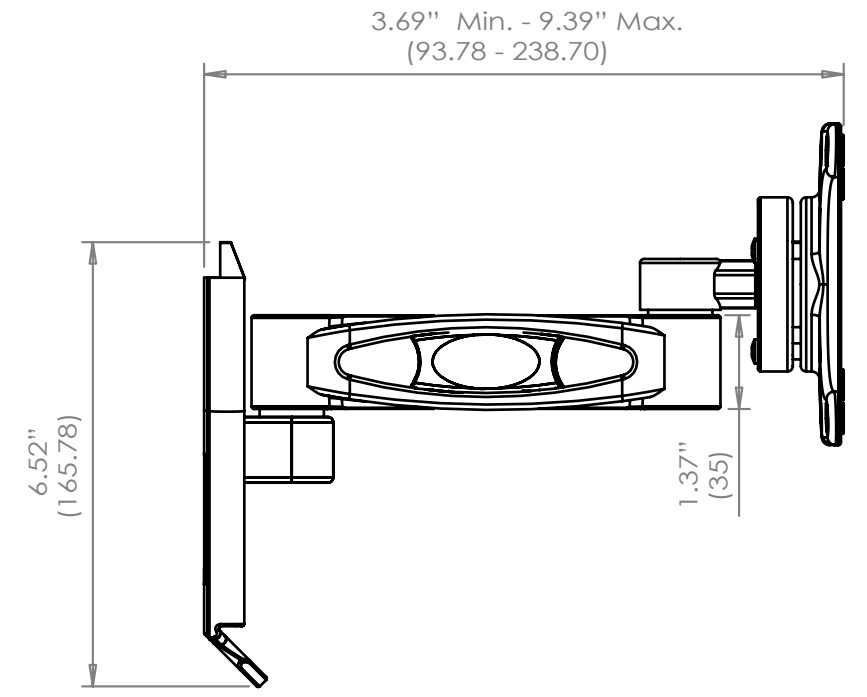
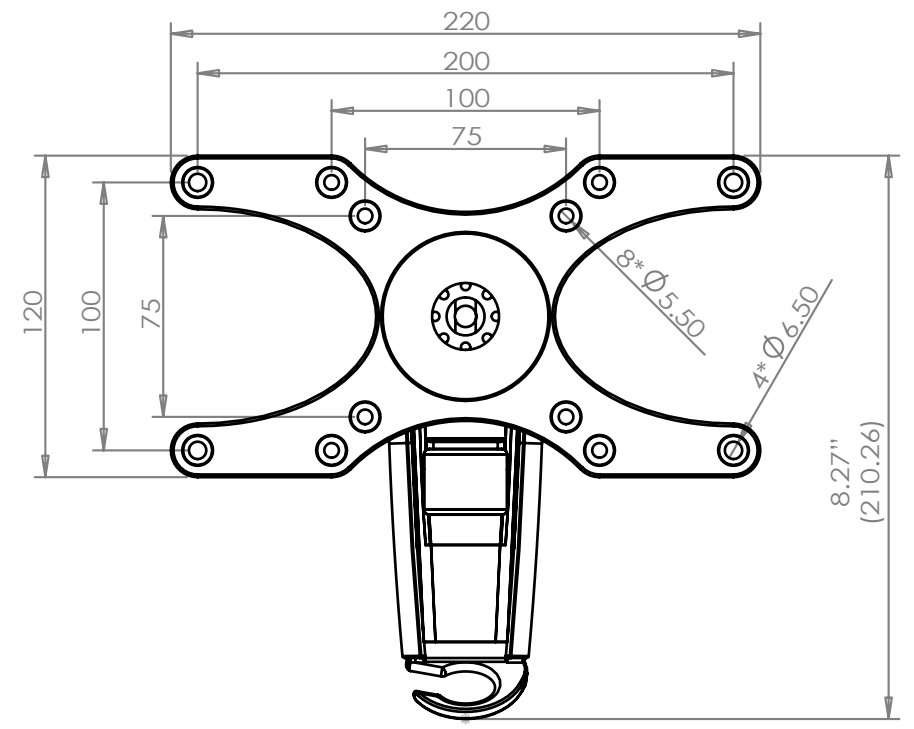
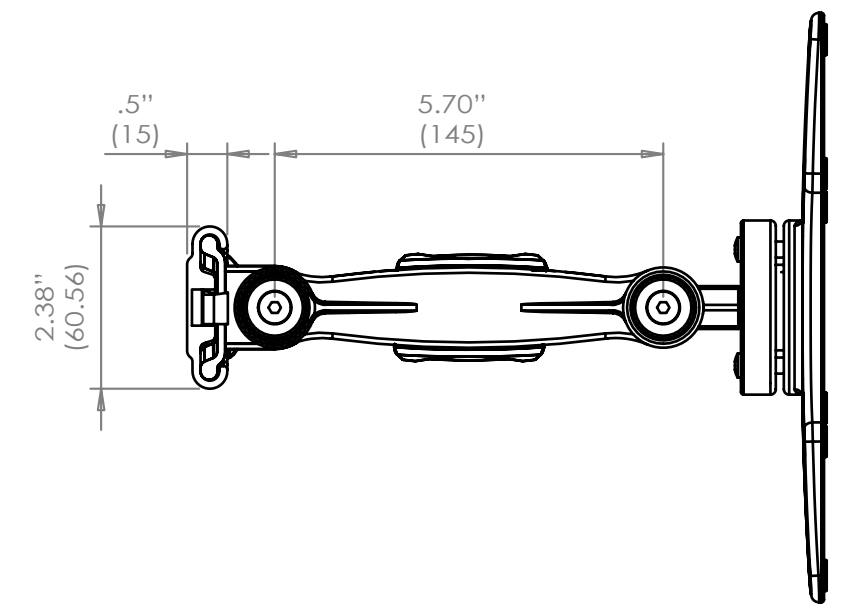
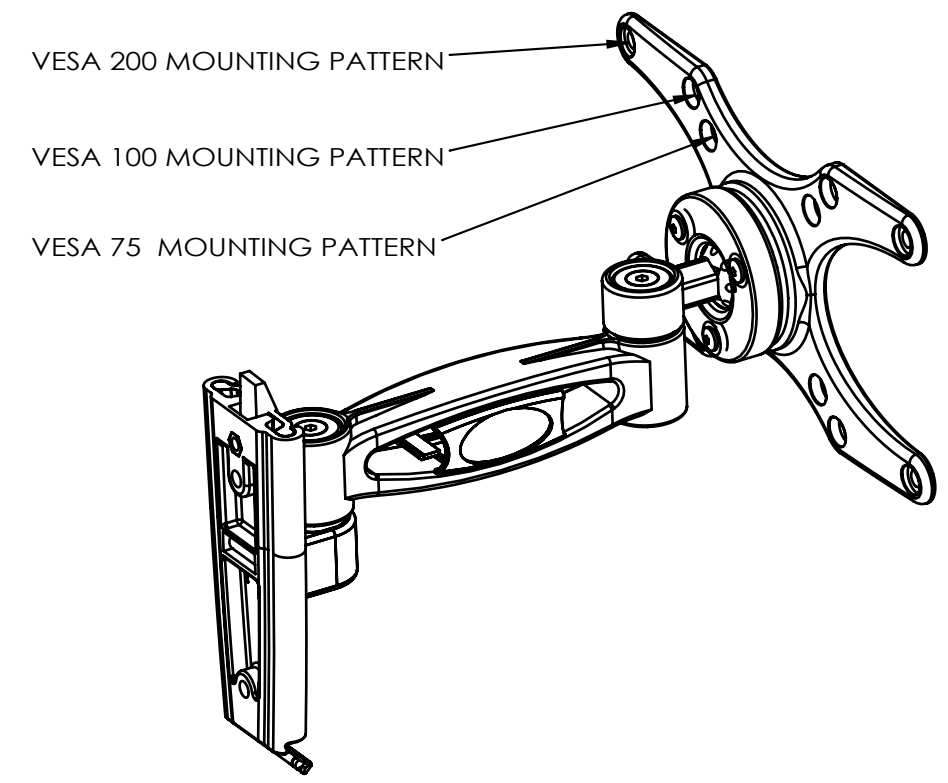


8 7 6 5 4 3 2 1

D
C
B
A



D
C
B
A



8 7 6 5 4 3 2 1

PROPRIETARY AND CONFIDENTIAL

THE INFORMATION CONTAINED IN THIS DRAWING IS THE SOLE PROPERTY OF STRONG MOUNTS AND LIFTS. ANY REPRODUCTION IN PART OR AS A WHOLE WITHOUT THE WRITTEN PERMISSION OF SNAP AV IS PROHIBITED

TITLE: CUSTOMER PRINT		
SIZE B	DWG. NO. SM-SWIVEL-S	REV C
NOT TO SCALE		SHEET 1 OF 1