



MantelMount®

FITS TVs

50" TO 90"

MOUNT PATTERN

UP TO 600mm x 600mm

HEAVY DUTY STEEL

3mm

ADJUSTABLE TILT

9°

OFF-THE-WALL DISTANCE

19" MAX



SWIVEL CAPACITY

± 80°



with Included Adapter

VERTICAL DROP

27" MAX



MAX LOAD



115 lbs

New Quick & Easy Tilt MM720 Pro Series Pull Down TV Mount

The ALL NEW MantelMount MM720 Pro Series Pull Down TV Mount offers patent-pending, Quick & Easy Tilt Functionality literally at your fingertips. Simply stand in front of your TV, squeeze the handle at the bottom of the screen, push or pull to the desired tilt, and let go to lock the perfect tilt into place.

New Features!

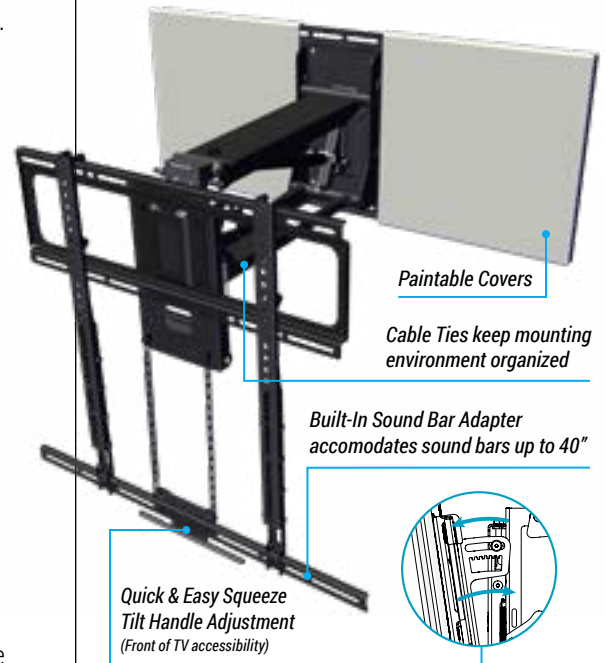
- **QUICK & EASY TILT ADJUSTMENT**
Allows for quick & easy tilt adjustment with practically one hand from in front of the mount.
- **80-DEGREE ENHANCED SWIVEL**
The included SRE000 Adapter allows an enhanced swivel up to 80-degrees. This allows for viewing from an adjacent area.
- **OPTIONAL HIDE-AWAY HANDLE**
Match any decor with your choice of handle. The MM720 comes with the traditional heat sensing handle and also a second hide away handle. The hide away handle is not visible from the front of the television but still allows the force used to move the TV to be absorbed by the mount and not the screen.

Standard Features

- **2 AUTOMOTIVE GAS PISTONS**
Makes TV feel feather light
- **PAINTABLE WALL COVERS**
Conceals the TV mount's wall hardware
- **HEAT-SENSING HANDLES**
Handles turn red if the temperature reaches 110°F
- **PATENTED AUTO-STRAIGHTENING**
Automatically aligns TV when lifted to it's highest position
- **BUILT-IN SOUND BAR ADAPTER**
No additional hardware required
- **CABLE MANAGEMENT**
Tabs keep TV wires organized
- **PATENTED ENHANCED STABILIZATION**
Maintains a level TV over time
- **HARD TRAVEL-LIMIT STOPS**
Manually set vertical and horizontal travel stops to assure your TV doesn't hit your mantel or wall
- **RB100 RECESS KIT**
This accessory allows for flush-to-wall storage by allowing the lifting arm to fold into the wall when the TV is in its raised position. television but still allows the force used to move the TV to be absorbed by the mount and not the screen.

MantelMount. MM720

US. PAT. NO. 8,864,092 US. PAT. NO. 8,724,037



Paintable Covers

Cable Ties keep mounting environment organized

Built-In Sound Bar Adapter accommodates sound bars up to 40"

Quick & Easy Squeeze Tilt Handle Adjustment (Front of TV accessibility)

Also Includes
Optional handles for any decor!

Hide-Away Handle

Heat-Sensing Handle

MM720 Specifications

TV Size	50" - 90"
Max Load	up to 115 lbs.
Mount Weight	38 lbs.
Package Weight	42 lbs.
Package Dimensions	39" x 16" x 6.3"
UPC Code	860006443917
UMAP / MSRP	\$599 / \$649



For More information on the MM720, including manuals, dimension diagrams, videos, and more, check out the [MantelMount Toolbox!](#)

Lifetime limited consumer warranty included.

Expert Customer Support at 800-897-9755 ext.1

All necessary hardware is in the box.



MantelMount®

contact@mantelmount.com

MantelMount.com