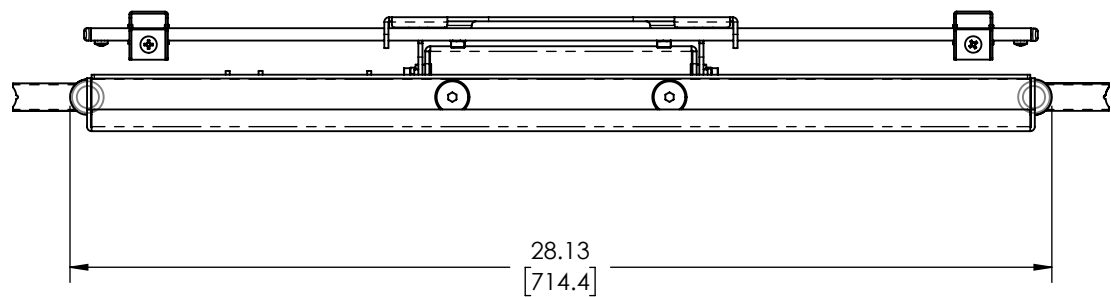
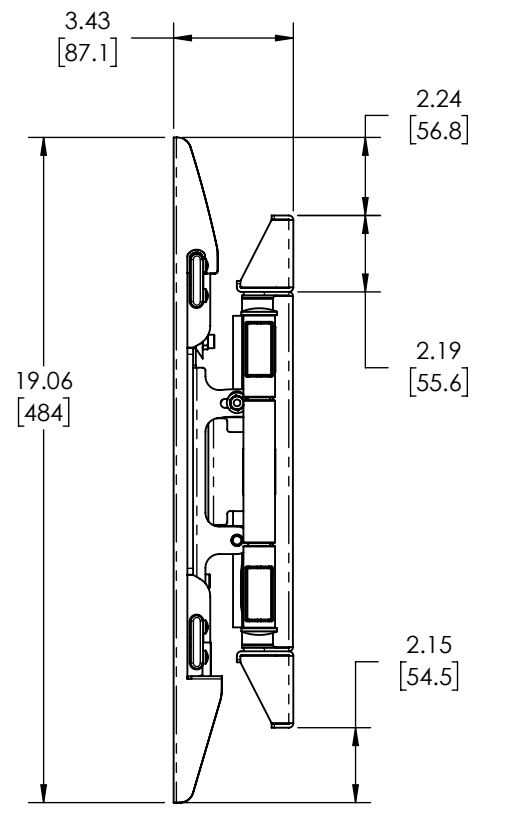
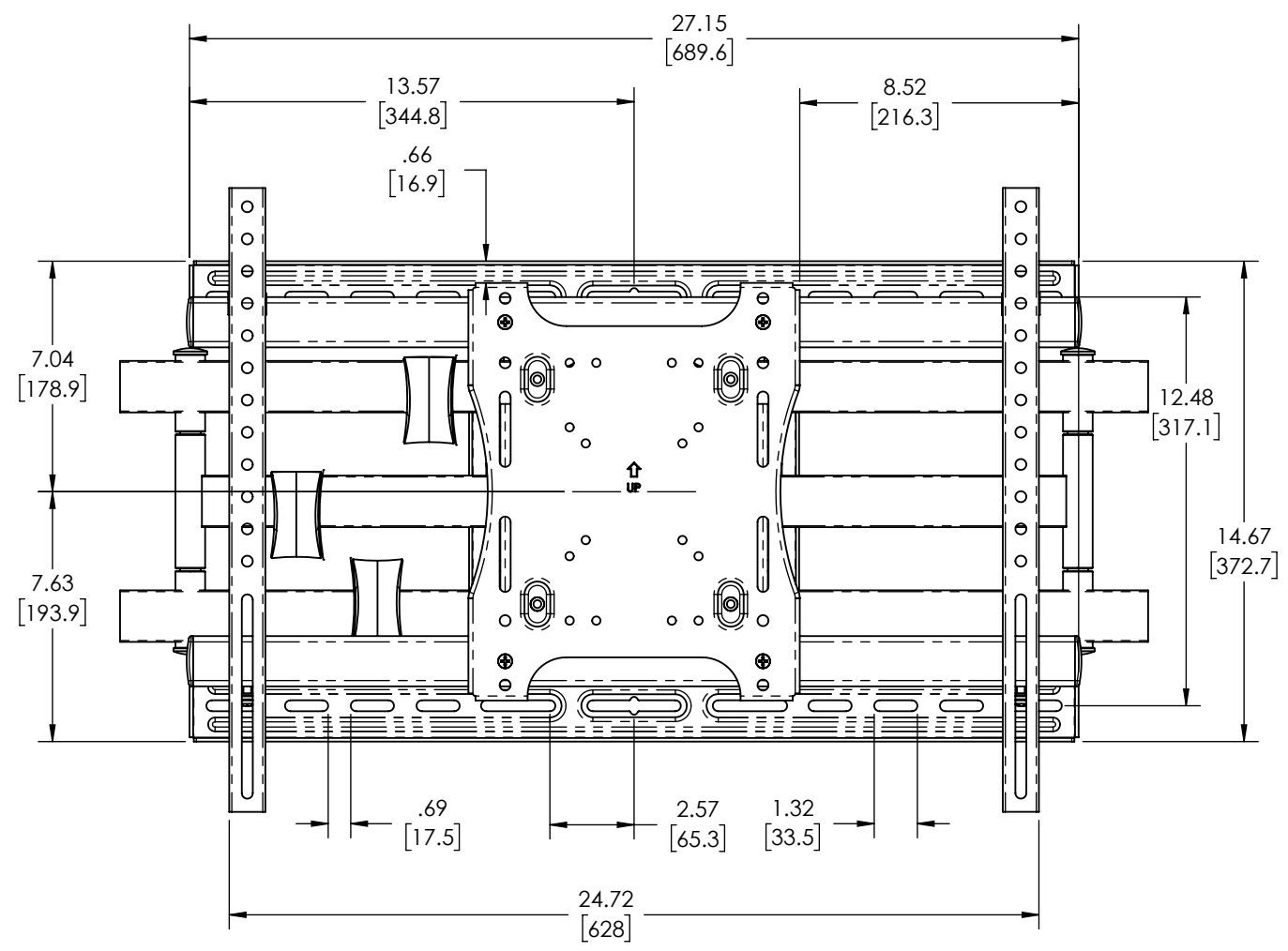
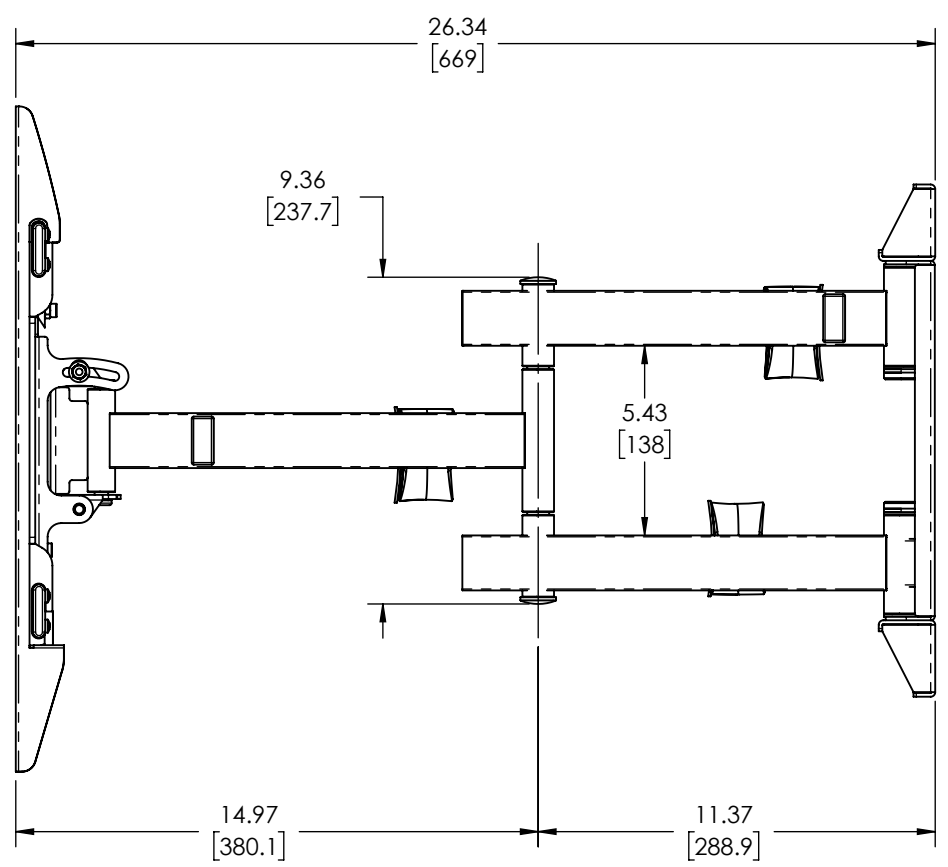


8 7 6 5 4 3 2 1

D  
C  
B  
A

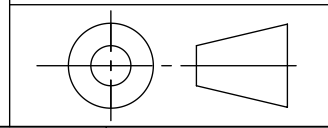


ALL DIMENSIONS IN INCHES [mm]

CUSTOMER PRINT



PROPRIETARY AND CONFIDENTIAL  
 THE INFORMATION CONTAINED IN THIS DRAWING IS THE SOLE PROPERTY OF STRONG MOUNTS AND LIFTS. ANY REPRODUCTION IN PART OR AS A WHOLE WITHOUT THE WRITTEN PERMISSION OF SNAP AV IS PROHIBITED.



|                      |                |              |
|----------------------|----------------|--------------|
| SIZE                 | DRAWING NUMBER | DWG REV      |
| B                    | SM-CB-ART2-L   | B            |
| DO NOT SCALE DRAWING |                | SHEET 1 OF 1 |

8 7 6 5 4 3 2 1