

8 7 6 5 4 3 2 1

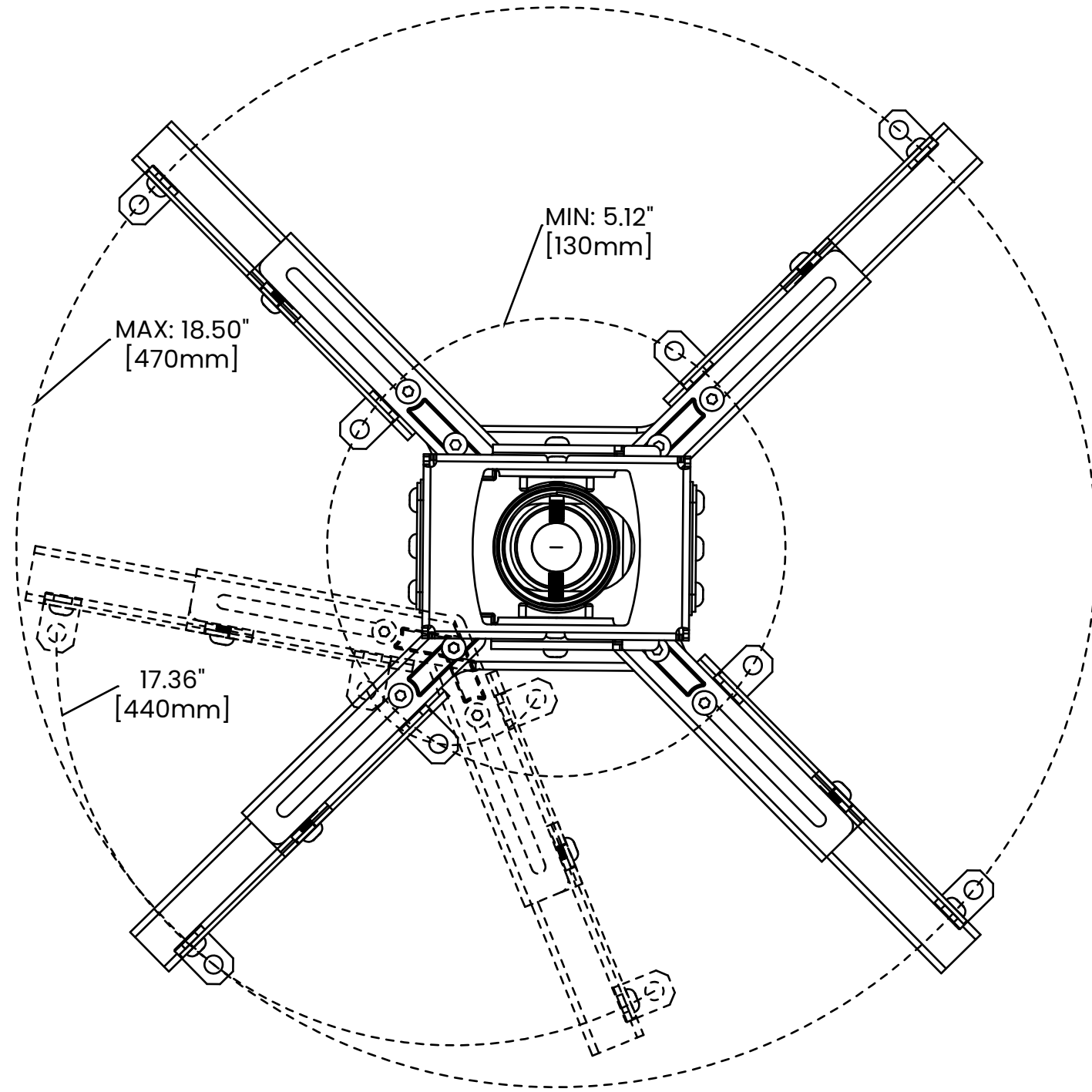
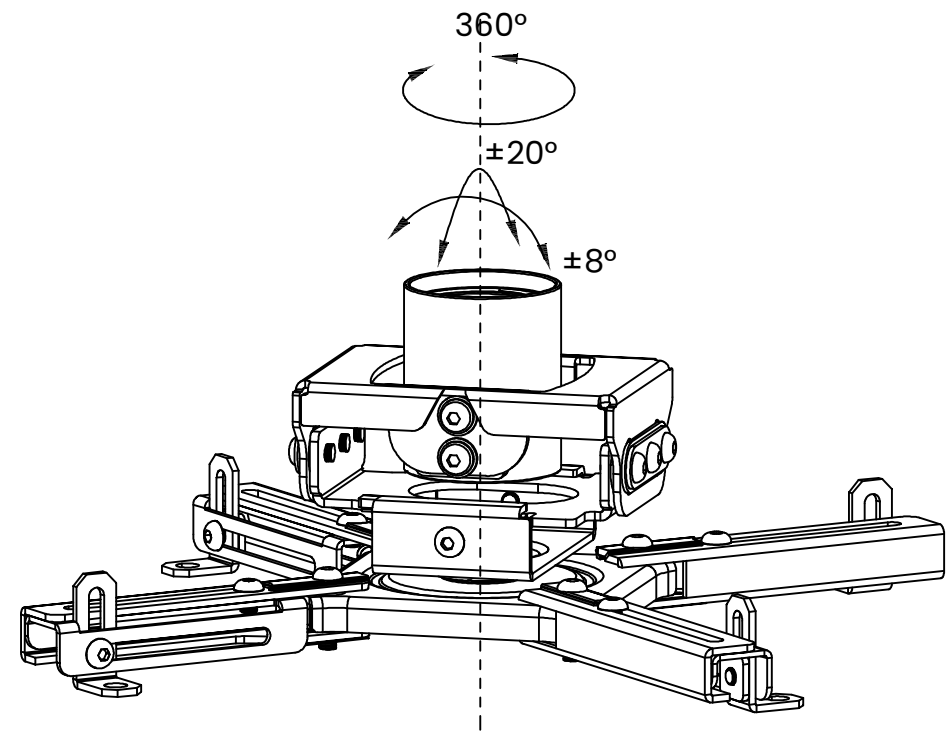
D

C

B

B

A



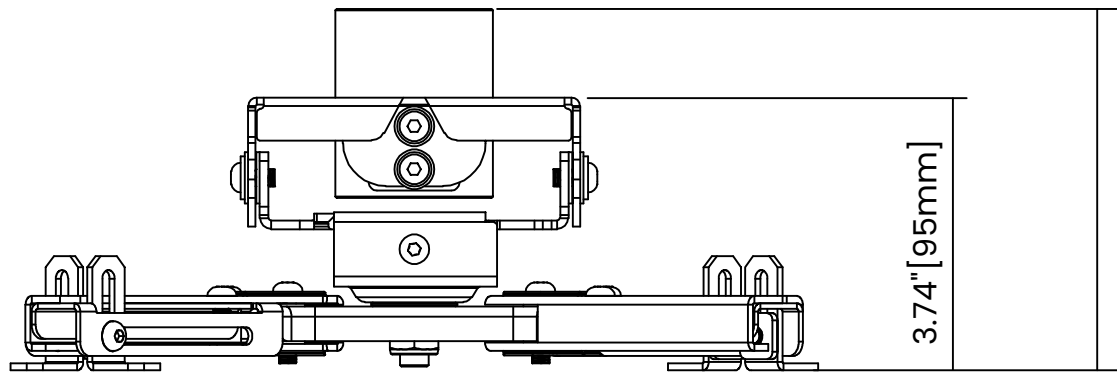
D

C

B

B

A

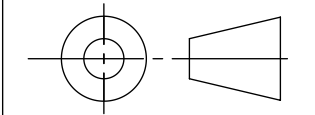


8 7 6 5 4 3 2 1

ALL DIMENSIONS IN INCHES [mm]

PROPRIETARY AND CONFIDENTIAL

THE INFORMATION CONTAINED IN THIS DRAWING IS THE SOLE PROPERTY OF STRONG MOUNTS AND LIFTS. ANY REPRODUCTION IN PART OR AS A WHOLE WITHOUT THE WRITTEN PERMISSION OF SNAP AV IS PROHIBITED.



CUSTOMER PRINT



SIZE B	DRAWING NUMBER SM-PROJ2-L	DWG REV A
DO NOT SCALE DRAWING		SHEET 1 OF 1