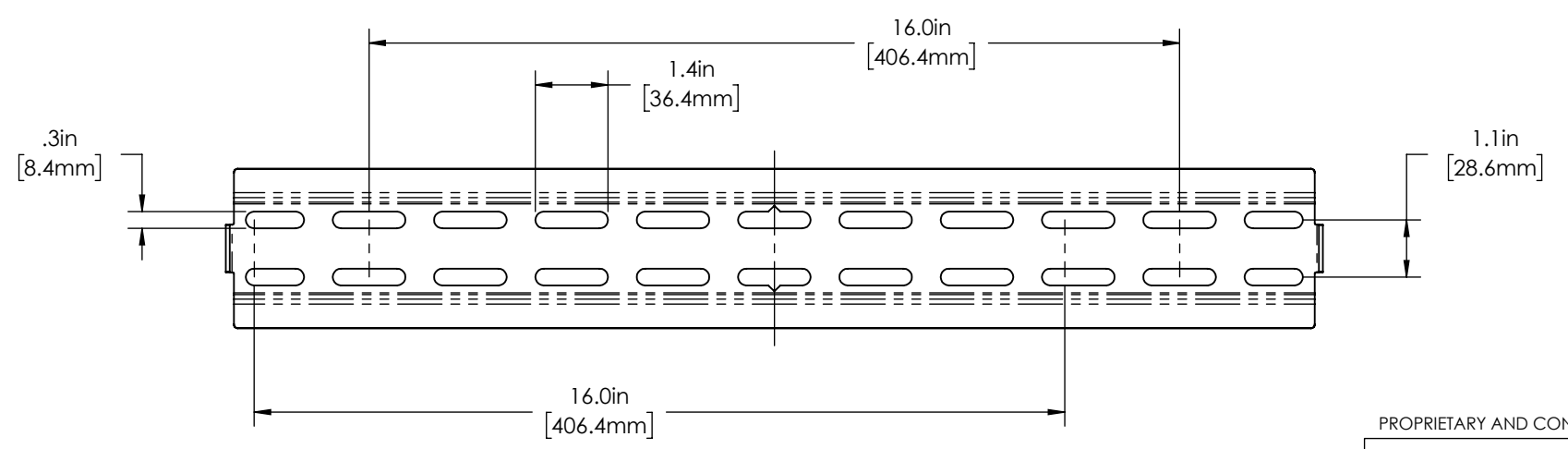
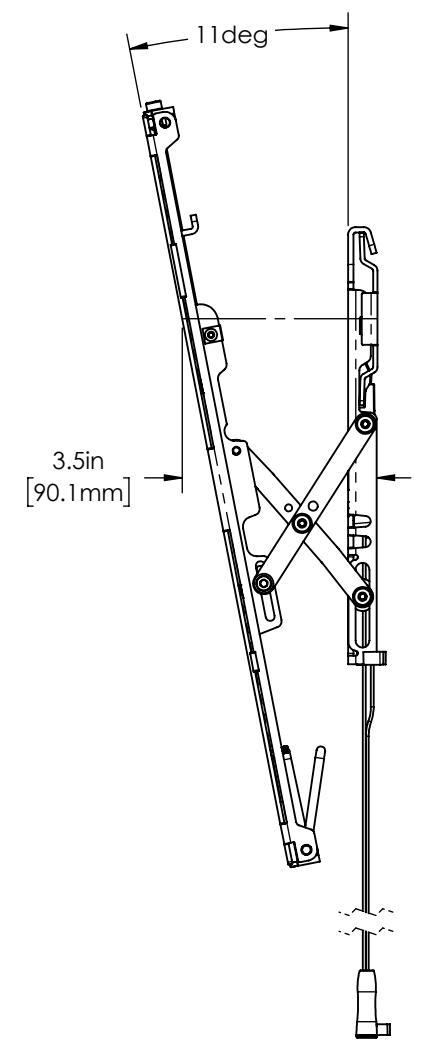
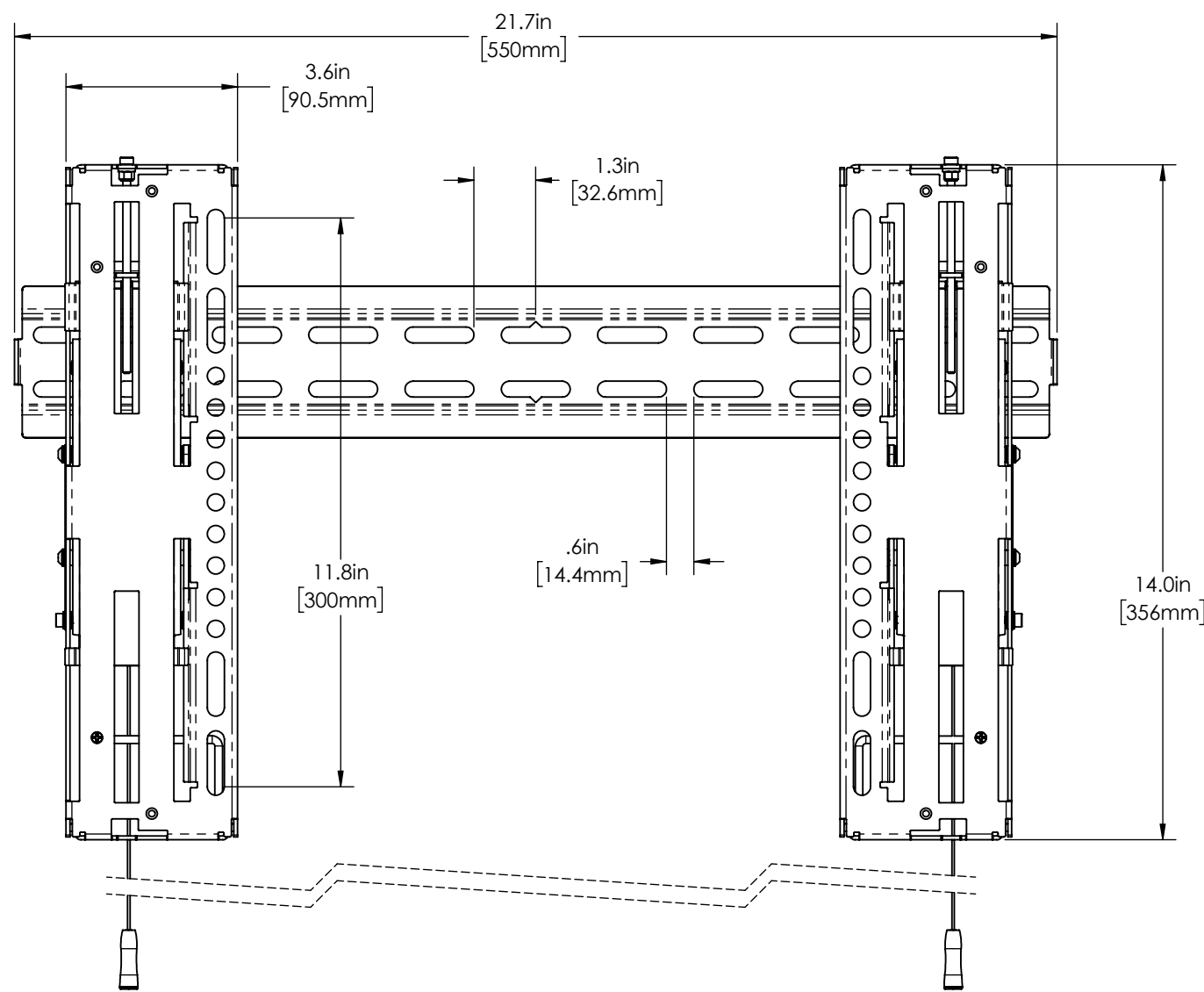
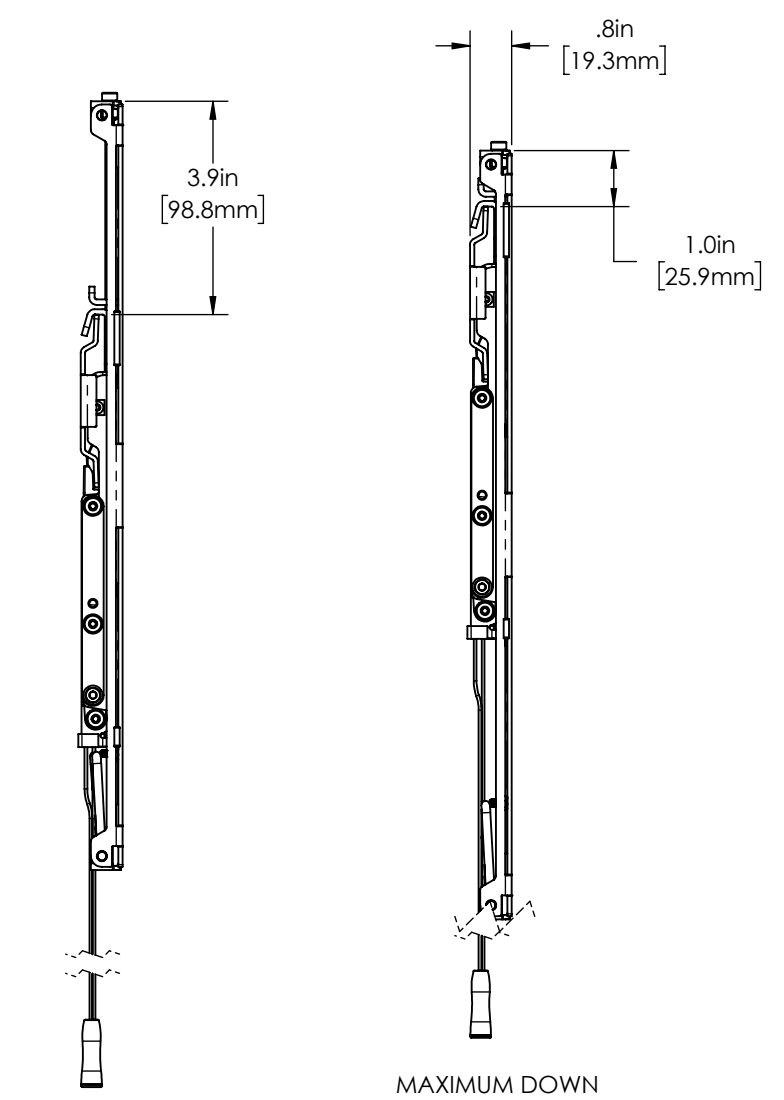


8 7 6 5 4 3 2 1

D
C
B
A

D
C
B
A



PROPRIETARY AND CONFIDENTIAL

THE INFORMATION CONTAINED IN THIS DRAWING IS THE SOLE PROPERTY OF STRONG MOUNTS AND LIFTS. ANY REPRODUCTION IN PART OR AS A WHOLE WITHOUT THE WRITTEN PERMISSION OF SNAP AV IS PROHIBITED.

CUSTOMER PRINT

SIZE	DRAWING NUMBER	DWG REV
B	SM-RR-T-M	A
DO NOT SCALE DRAWING		SHEET 1 OF 1

8 7 6 5 4 3 2 1